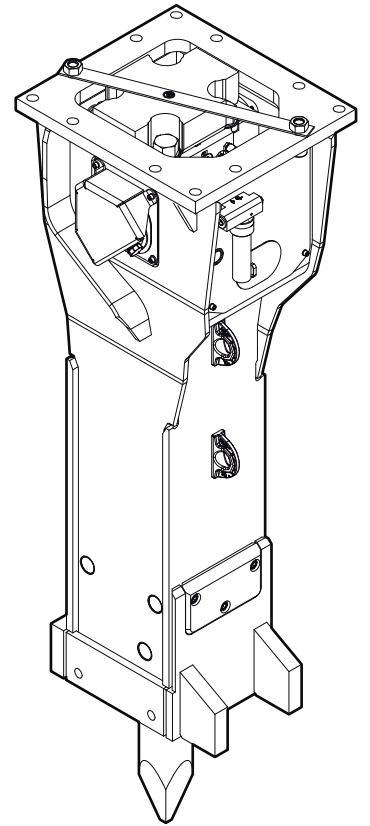


### Spare parts list Hydraulic breakers

	Valid from serial number
HB 4100	DEQ130129
HB 4100 DP	DEQ130129





# Contents

General information.....	5
Spare parts list.....	6
Hydraulic breaker HB 4100.....	6
Hydraulic breaker HB 4100 DustProtector.....	8
Percussion unit part 1: cylinder cover.....	10
Percussion unit part 2: cylinder.....	12
Percussion unit part 3: lower breaker part.....	14
Connecting kit for ContiLube® II.....	16
StartSelect - AutoStart or AutoStop.....	18
Optional parts.....	20
Tightening torques.....	21
Working Tools.....	22
HB 4100.....	22
HB 4100 DustProtector.....	23
Accessories.....	25
Hydraulic hoses.....	25
Optional equipment.....	25
Kits.....	26
Label kit HB 4100.....	26
Label kit HB 4100 DustProtector.....	27
Seal kit.....	28
Seal kit for swivel joint (ContiLube® II).....	28
Plastic parts kit.....	28
Tensioning bolt kit.....	29
DustProtector kit.....	29
Noise protection kit.....	29
Lower breaker part kit (bronze).....	29
Lower breaker part kit (steel).....	30
Lower breaker part kit DustProtector (bronze).....	30
Lower breaker part kit DustProtector (steel).....	31
Fastening screw kit.....	31
Accumulator repair kit.....	31
Dimensions.....	32
Dimensions HB 4100.....	32
Dimensions HB 4100 DustProtector.....	33



## General information

This spare parts list applies to the following:

Part number	Description
3363 1126 55	Hydraulic breaker HB 4100
3363 1125 32	Hydraulic breaker HB 4100 DustProtector

Use only authorized parts. Any damage or malfunction caused by the use of unauthorized parts is not covered by Warranty or Product Liability. Any unauthorized use or copying of the contents or any part thereof is prohibited. This applies in particular to trademarks, model denominations, part numbers, and drawings.

### Instructions for use

This spare parts list contains no safety regulations and is merely intended to assist in the ordering of spare parts.

For information on operating, servicing, or repairing, the relevant Safety and operating instructions must be consulted at all costs.

Please observe the safety instructions listed in the relevant Safety and operating instructions!

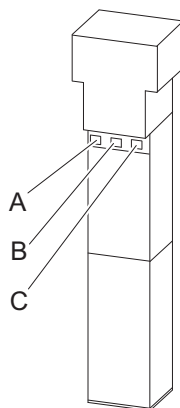
### Instructions of ordering

It is essential to indicate the serial number of the hydraulic attachment when ordering spare parts!

Please note the full identification number of your hydraulic attachment. This code can be found on the cylinder.

Determine the quantity of individual parts which are required and need to be ordered. The order must indicate the following details:

- full identification code of the hydraulic attachment
- required quantity
- part number
- description

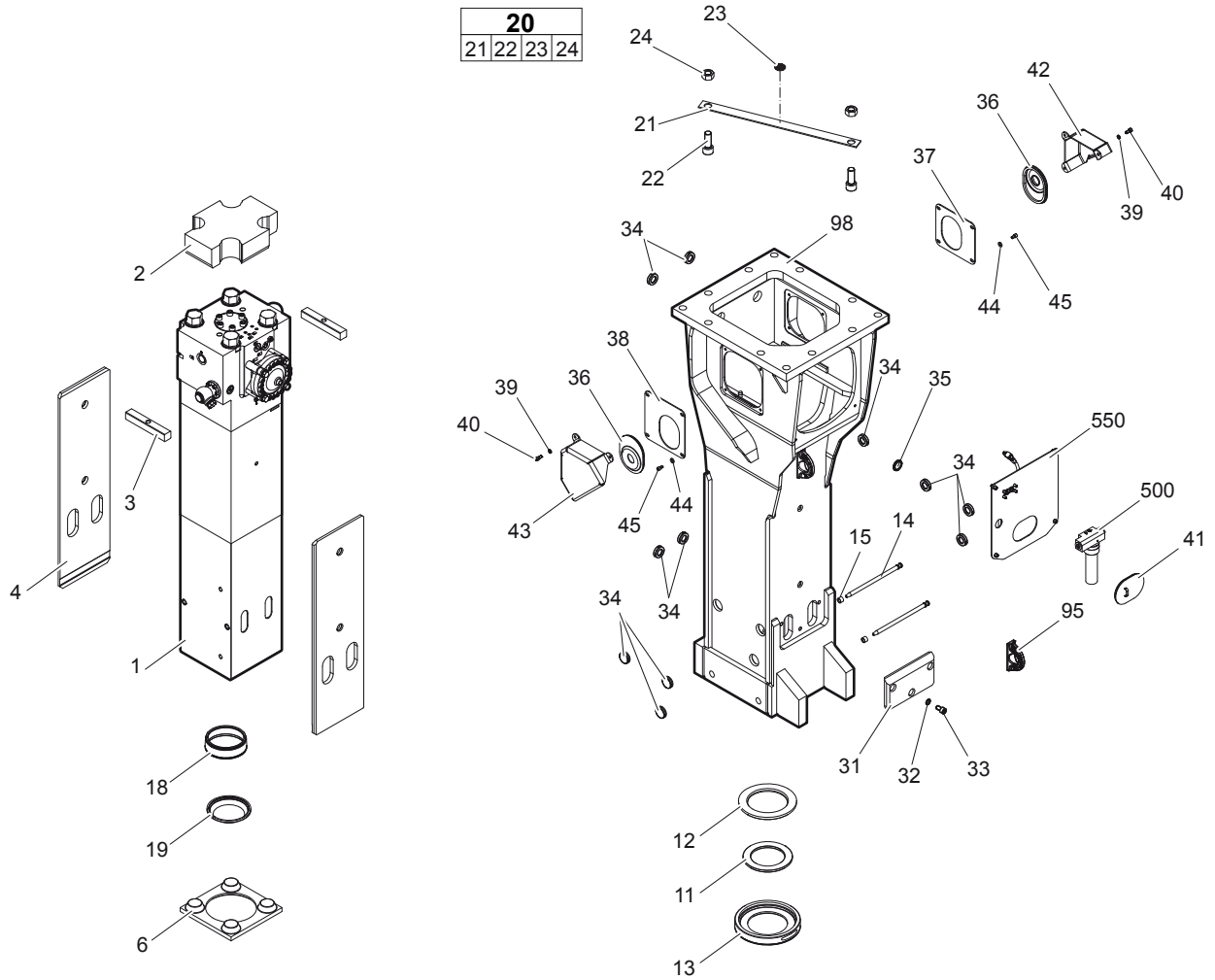


- A. Cylinder number
- B. Type
- C. Serial number



No.	Description	Remark	Quantity	Part number
1	Percussion unit	see separate chapter	1	-
2	Elastic pad		1	3361 3567 89
3	Shock absorber		2	3361 3569 25
4	Guide plate		2	3363 1125 39
6	Plate		1	3363 0862 37
<b>20(21-24)</b>	<b>Transport safety device complete</b>		1	3363 0948 26
21	Transport safety device		1	-
22	Allen screw		2	3360 1141 51
23	Label transport safety device		1	3363 0918 72
24	Nut		2	3360 1032 55
31	Plate		1	3363 1128 15
32	Pair of lock washers		3	3361 8507 48
33	Allen screw		3	3363 0830 07
34	Plug		11	3363 1119 12
35	Plug		1	3363 1126 68
36	Cover		2	3363 0311 81
37	Plate		1	3363 1128 16
38	Plate		1	3363 1128 17
39	Pair of lock washers		6	3361 8505 96
40	Allen screw		6	3360 1037 50
41	Cover		1	3363 0926 97
42	Swivel joint cover		1	3363 1113 33
43	Swivel joint cover		1	3363 1128 18
44	Pair of lock washers		2	3363 1112 96
45	Allen screw		2	3362 3284 80
95	Lifting eye	professional welding process necessary	2	3363 1119 95
99	Breaker box		1	3363 1128 24
500	ContiLube® II	see separate <i>Safety and operating instructions</i>	1	3363 0671 23
550	Connecting kit for ContiLube® II	see separate chapter	1	3363 1125 33

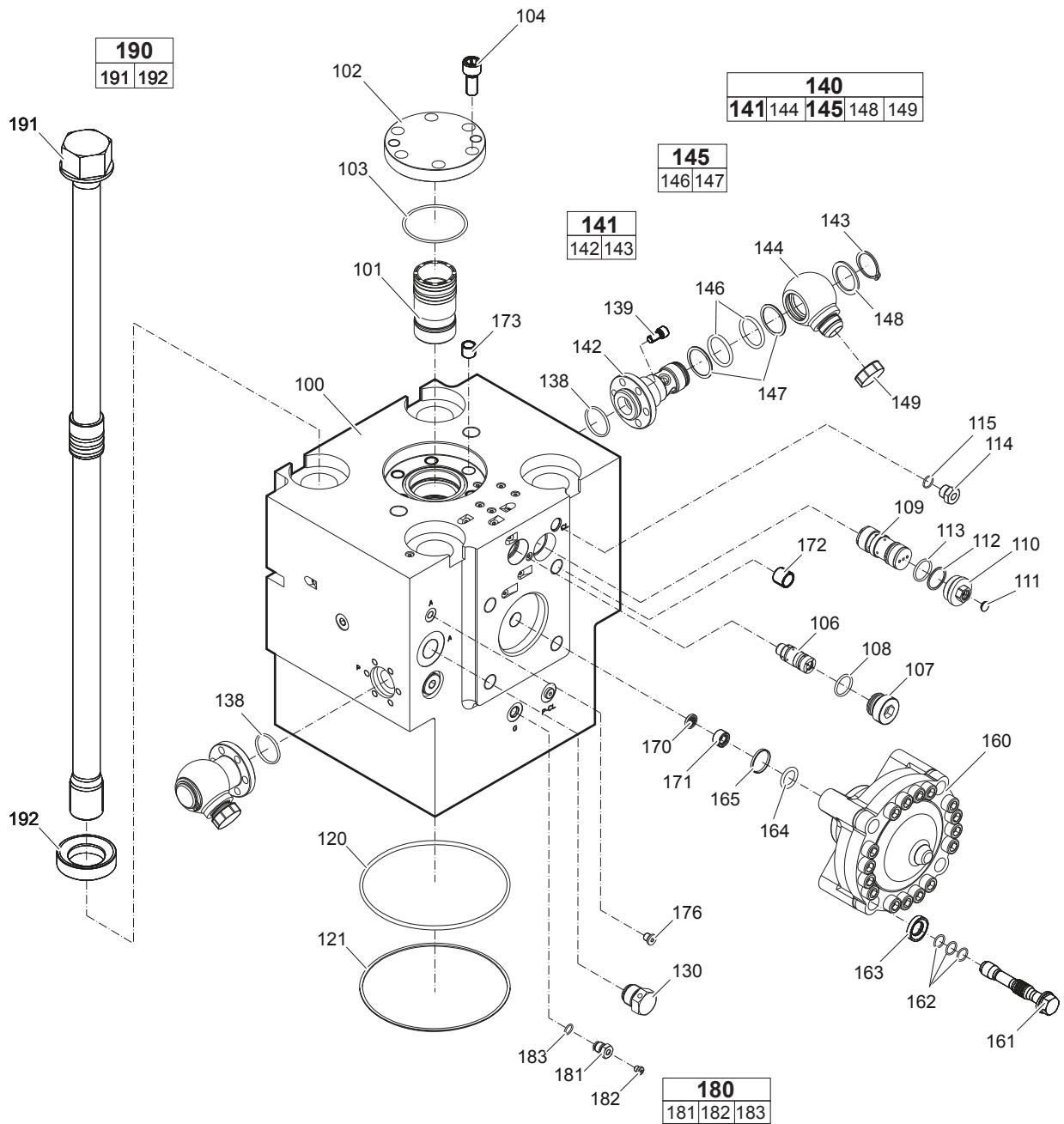
# Hydraulic breaker HB 4100 DustProtector





No.	Description	Remark	Quantity	Part number
1	Percussion unit	see separate chapter <b>Note:</b> When ordering a percussion unit for DustProtector version it is imperative to order additionally the base for wiper (no. 18) and the wiper (no. 19).	1	-
2	Elastic pad		1	3361 3567 89
3	Shock absorber		2	3361 3569 25
4	Guide plate		2	3363 1125 39
6	Plate		1	3363 0862 37
11	Floating ring	tribolid steel see chapter <i>Optional parts</i>	1	3363 0706 65
12	Counter ring		1	3363 0338 01
13	Guide ring		1	3363 0337 33
14	Bolt		2	3363 1126 02
15	Locking bush		2	3361 8543 63
18	Base for wiper		1	3363 0886 51
19	Wiper		1	3363 0342 65
<b>20(21-24)</b>	<b>Transport safety device complete</b>		1	3363 0948 26
21	Transport safety device		1	-
22	Allen screw		2	3360 1141 51
23	Label transport safety device		1	3363 0918 72
24	Nut		2	3360 1032 55
31	Plate		1	3363 1128 15
32	Pair of lock washers		3	3361 8507 48
33	Allen screw		3	3363 0830 07
34	Plug		11	3363 1119 12
35	Plug		1	3363 1126 68
36	Cover		2	3363 0311 81
37	Plate		1	3363 1128 16
38	Plate		1	3363 1128 17
39	Pair of lock washers		6	3361 8505 96
40	Allen screw		6	3360 1037 50
41	Cover		1	3363 0926 97
42	Swivel joint cover		1	3363 1113 33
43	Swivel joint cover		1	3363 1128 18
44	Pair of lock washers		2	3363 1112 96
45	Allen screw		2	3362 3284 80
95	Lifting eye	professional welding process necessary	2	3363 1119 95
98	Breaker box		1	3363 1128 25
500	ContiLube® II	see separate <i>Safety and operating instructions</i>	1	3363 0671 23
550	Connecting kit for ContiLube® II	see separate chapter	1	3363 1125 33

# Percussion unit part 1: cylinder cover

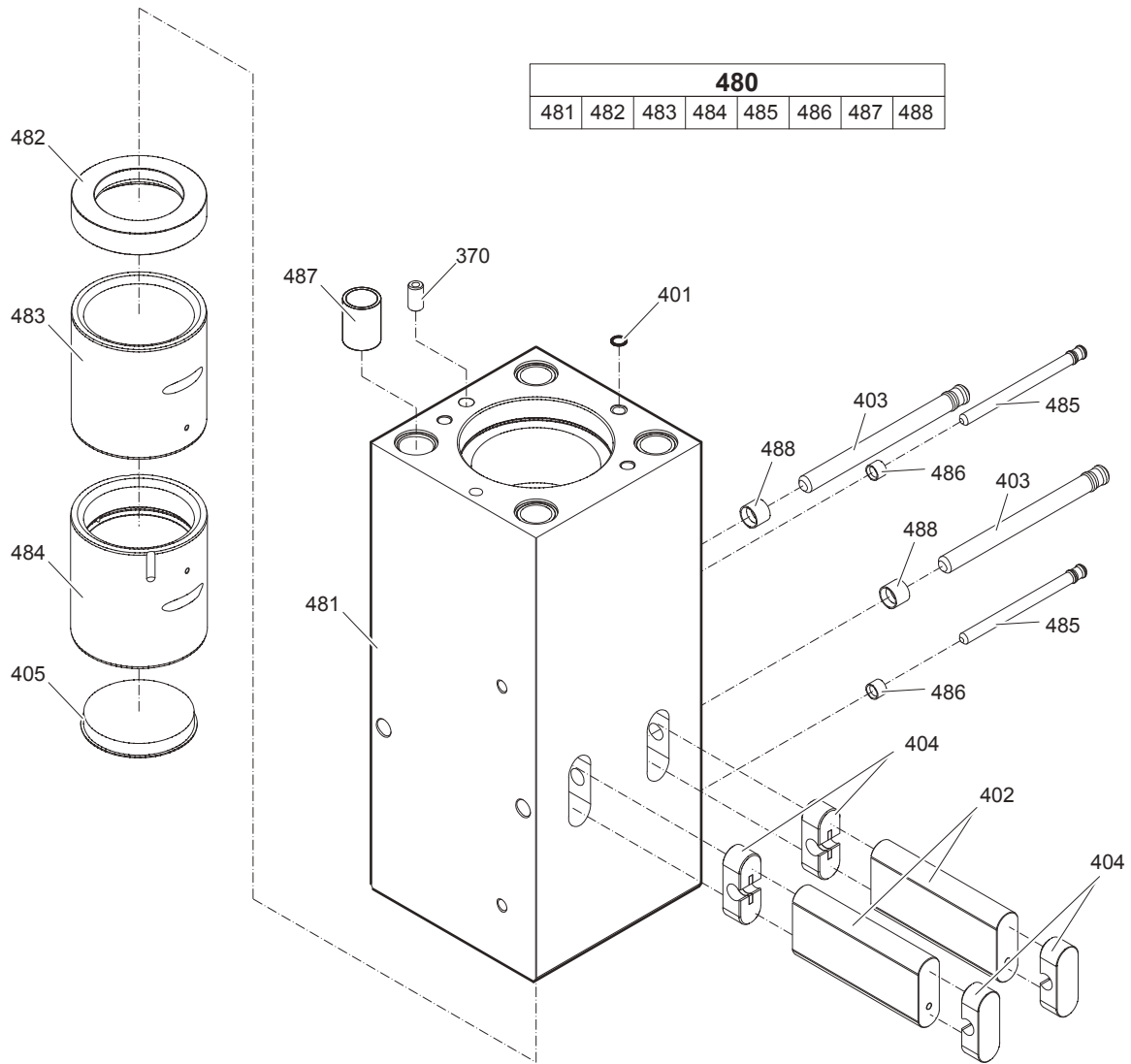


No.	Description	Remark	Quantity	Part number
100	Cylinder cover	with no. 170 - 176	1	3363 1124 17
101	Main control valve		1	3363 0885 69
102	Cover		1	3361 3315 55
103	O-ring		1	3360 3143 75
104	Allen screw		6	3360 1037 76
106	Frequency switching valve	AutoControl	1	3363 0354 53
107	Threaded plug		1	3363 0354 25
108	O-ring		1	3360 3143 70
109	Safety valve	PowerAdapt Only in exchange for the part to be replaced. Consult the Atlas Copco Customer Center/Dealer in your area.	1	3363 0852 70
110	Threaded plug		1	3363 0870 86
111	Plug		1	3363 0870 87
112	Back-up ring		1	3363 0870 85
113	O-ring		1	3363 1104 01
114	Connecting screw		1	3361 8546 57
115	O-ring		1	3360 4781 71
120	O-ring		1	3361 0318 10
121	Back-up ring		1	3363 0874 83
130	Non-return valve		1	3361 8545 11
138	O-ring		2	3360 3143 73
139	Allen screw		12	3360 1037 50
<b>140(141,144,145,148-149)</b>	<b>Swivel joint complete</b>		2	3362 2699 99
<b>141(142-143)</b>	<b>Adapter complete</b>		1	3363 1034 71
142	Adapter		1	-
143	Snapring		1	3363 1031 33
144	Adapter		1	3361 3566 43
<b>145(146-147)</b>	<b>Seal kit</b>		1	3361 8504 22
146	O-ring		2	-
147	Back-up ring		2	-
148	Disk		1	3361 3566 45
149	Cap		1	3361 3534 89
160	HP-accumulator		1	3363 0949 81
161	Fastening screw	each fastening screw with 3 o-rings no. 162	4	3363 1131 01
162	Service kit O-rings	12 o-rings for all 4 fastening screws no. 161	1	3363 1147 30
163	Washer		4	3363 1000 49
164	O-ring		1	3360 3143 64
165	Back-up ring		1	3360 3280 46
170	Strainer disk		1	3361 8441 13
171	Threaded plug		1	3361 8441 15
172	Threaded insert		4	3361 0315 46
173	Threaded insert		6	3361 0315 29
176	Threaded plug		1	3360 4784 39
<b>180(181-183)</b>	<b>Filling valve complete</b>		1	3363 0872 86
181	Filling valve		1	-
182	Threaded plug		1	3360 4784 26
183	O-ring		1	3360 1751 25
<b>190(191-192)</b>	<b>Tensioning bolt complete</b>		4	3363 1130 35
191	Tensioning bolt		1	3363 1124 39
192	Washer		1	3363 0936 53



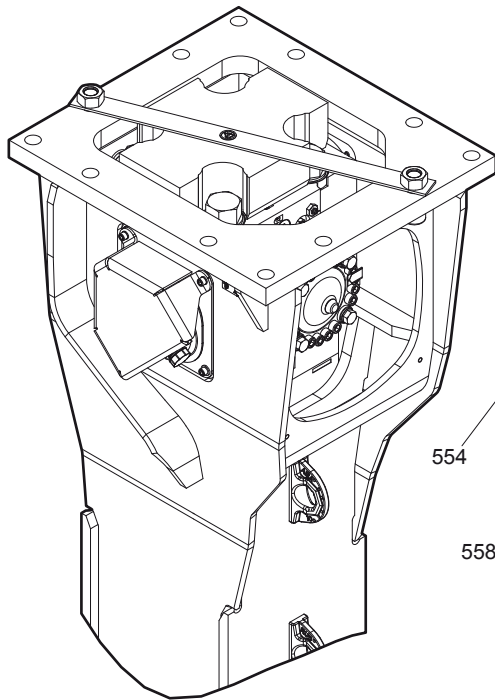
No.	Description	Remark	Quantity	Part number
200	Seal bush		1	3363 0855 98
203	Seal		1	3363 1131 67
204	Seal		1	3363 0981 38
205	Ring		1	3363 0977 95
<b>290(291-292)</b>	<b>Seal kit</b>		2	3363 0835 93
291	Seal		1	-
292	Back-up ring		1	-
300	Cylinder	with no. 601 - 603	1	3363 0834 77
301	Seal		6	3362 2675 85
302	Seal		8	3362 2675 89
305	Wiper		1	3363 0836 71
350	Percussion piston		1	3361 3566 13
370	Lock pin		1	3360 9214 13
<b>390(391-392)</b>	<b>Seal kit</b>		2	3363 0835 94
391	Seal		1	-
392	Back-up ring		1	-
601	Plug		1	3363 0825 93
602	O-ring		1	3363 0832 45
603	Valve	StartSelect	1	3363 0825 05

# Percussion unit part 3: lower breaker part

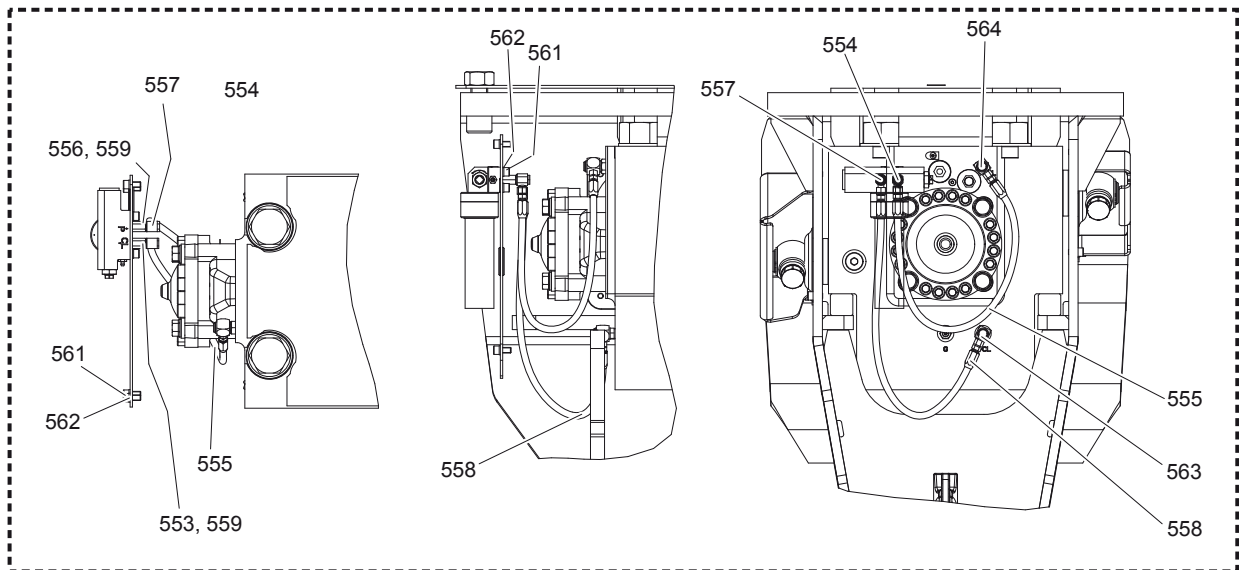
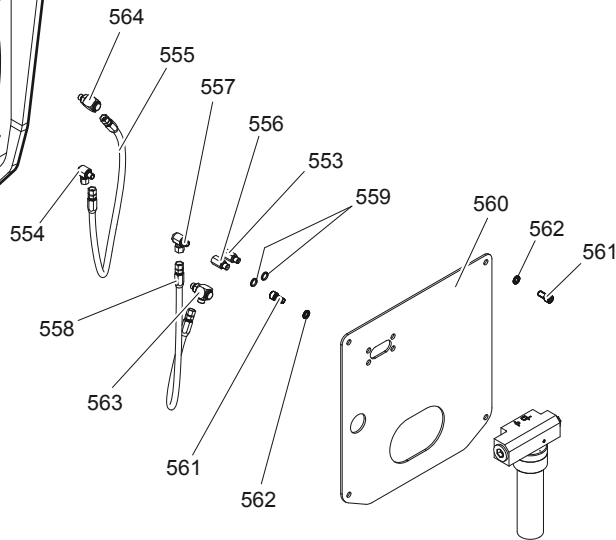


No.	Description	Remark	Quantity	Part number
370	Lock pin		1	3360 9214 13
401	Seal		1	3362 2675 86
402	Retainer bar		2	3361 3315 29
403	Bolt		2	3362 2615 40
404	Plug		4	3362 2629 21
405	Protective cap		1	3361 3297 94
<b>480(481-488)</b>	<b>Lower breaker part complete</b>	<b>Note:</b> When ordering a lower breaker part for DustProtector version it is imperative to order additionally the base for wiper (no. 18) and the wiper (no. 19).	1	3363 0894 80
481	Lower breaker part complete	<b>Note:</b> When ordering a lower breaker part for DustProtector version it is imperative to order additionally the base for wiper (no. 18) and the wiper (no. 19).	1	3363 0894 80
482	Impact ring		1	3363 0690 83
483	Wear bush		1	3363 0691 37
484	Wear bush	steel bronze see chapter <i>Optional parts</i>	1	3363 0886 53
485	Bolt		2	3361 8543 47
486	Locking bush		2	3361 8543 63
487	Threaded insert		4	3363 0853 21
488	Locking bush		2	3362 2604 33

# Connecting kit for ContiLube® II



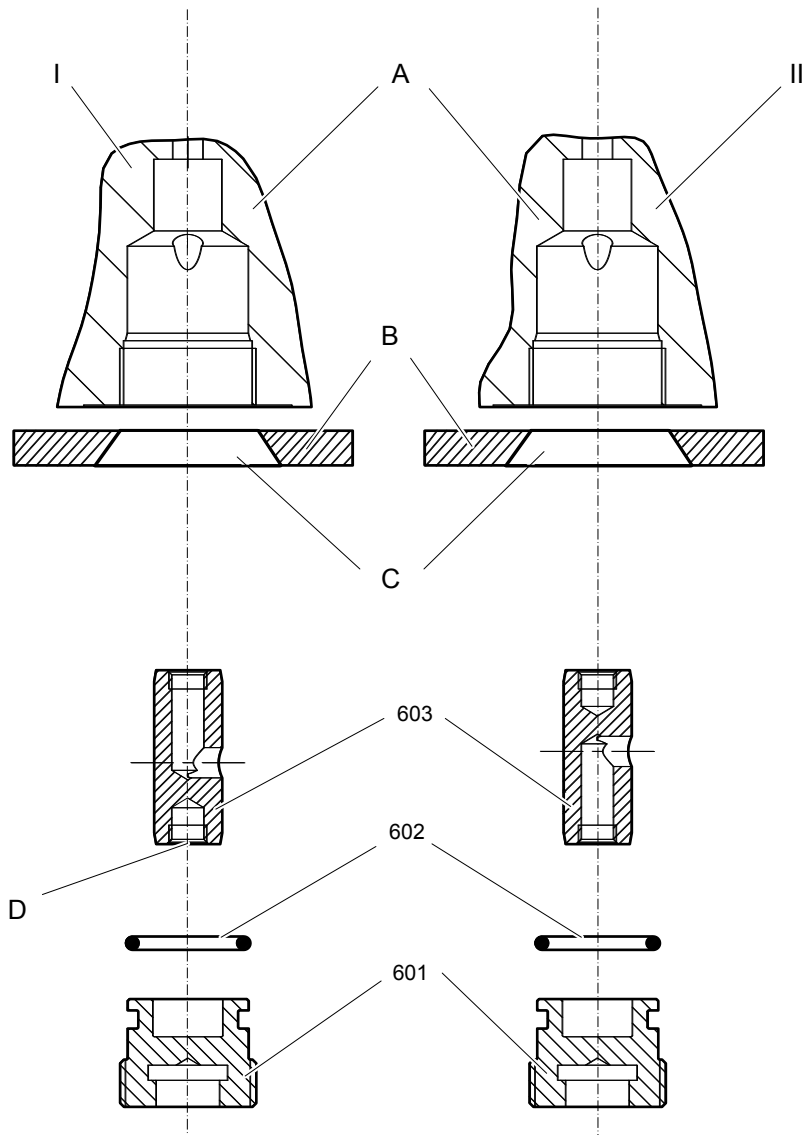
550												
553	554	555	556	557	558	559	560	561	562	563	564	





No.	Description	Remark	Quantity	Part number
<b>550(553-564)</b>	<b>Connecting kit</b>		1	3363 1125 33
553	Adapter	secure with Loctite 243	1	3363 0668 87
554	Fitting	secure with Loctite 243	1	3363 0662 33
555	Hydraulic hose	Grease line secure with Loctite 243 Route the hydraulic hoses as shown on the drawing. It must be ensured that the hydraulic hoses can move freely and are not in contact at any point.	1	3363 0838 73
556	Adapter	secure with Loctite 243	1	3363 0687 45
557	Fitting	secure with Loctite 243	1	3363 0662 34
558	Hydraulic hose	Oil line secure with Loctite 243 Route the hydraulic hoses as shown on the drawing. It must be ensured that the hydraulic hoses can move freely and are not in contact at any point.	1	3363 0838 77
559	Seal		2	3363 0669 51
560	Support		1	3363 1128 28
561	Allen screw	secure all 4 Allen screws screwed in the ContiLube® II with Loctite 243	8	3360 1037 50
562	Pair of lock washers		8	3361 8505 96
563	Fitting	secure with Loctite 243	1	3363 0871 85
564	Fitting	secure with Loctite 243	1	3363 0871 86

# StartSelect - AutoStart or AutoStop



No.	Description	Remark	Quantity	Part number
601	Plug		1	3363 0825 93
602	O-ring		1	3363 0832 45
603	Valve	StartSelect	1	3363 0825 05

I = AutoStop setting

II = AutoStart setting (standard setting on delivery)

- A. Port bore in cylinder
- B. Wall of breaker box
- C. Plug of breaker box
- D. M 10 thread (both ends) for mounting

The position of the StartSelect unit is shown on the percussion unit illustrations.

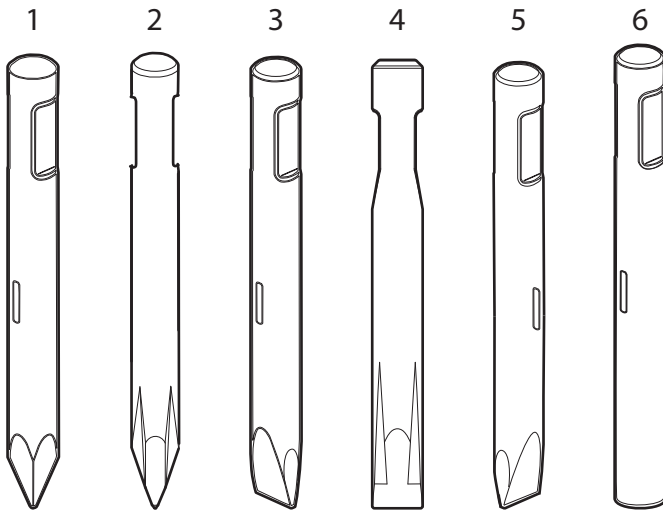
## Optional parts

No.	Description	Remark	Quantity	Part number
11	Floating ring	steel	1	3363 0338 03
484	Wear bush	bronze	1	3363 0885 11

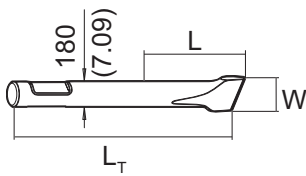
## Tightening torques

No.	Description	Tightening torque	Remark
22	Allen screw	240 Nm	Allen key size 27
24	Nut	240 Nm	Socket spanner size 55
33	Allen screw	400 Nm	Allen key size 17
40	Allen screw	85 Nm	Allen key size 10
45	Allen screw	85 Nm	Allen key size 10
104	Allen screw	380 Nm	Allen key size 17
107	Threaded plug	300 Nm	Allen key size 22
110	Threaded plug	300 Nm	Allen key size 24
114	Connection screw	200 Nm	Socket spanner size 27
130	Non-return valve	200 Nm	Socket spanner size 41
139	Allen screw	80 Nm	Allen key size 10
161	Fastening screw		Socket spanner size 30 1. Treat the threads and threaded inserts for the fastening screws with an Anti-Seize agent. 2. Treat the surfaces between the fastening screw head, washer, and HP-accumulator cover with Anti-Seize. 3. Place on the HP-accumulator, and tighten the fastening screws by hand in a crosswise fashion. 4. Pretighten the fastening screws to 80 Nm, proceeding in a crosswise fashion, 5. then tighten each fastening screw through 30° in a crosswise fashion, 6. finally tighten each fastening screw again through 60° in a crosswise fashion.
181	Filling valve	130 Nm	Socket spanner size 22
182	Threaded plug	20 Nm	Allen key size 5
191	Tensioning bolt		Torque wrench or Power wrench size 75 1. Pretighten the tensioning bolts to 500 Nm, proceeding in a crosswise fashion, 2. then tighten each tensioning bolt through 120° (2 sides of hexagonal head) in a crosswise fashion, 3. finally tighten each tensioning bolt again through 180° (3 sides of hexagonal head) in a crosswise fashion.
553	Adapter	45 Nm	Open-ended wrench size 19
554	Fitting	45 Nm	Open-ended wrench size 17, 19, 22
555	Hydraulic hose grease line	16 Nm	Open-ended wrench size 17
556	Adapter	55 Nm	Open-ended wrench size 19
557	Fitting	55 Nm	Open-ended wrench size 19, 22
558	Hydraulic hose oil line	42 Nm	Open-ended wrench size 19
561	Allen screw	85 Nm	Allen key size 10
563	Fitting	60 Nm	Open-ended wrench size 19, 22, 27
564	Fitting	50 Nm	Open-ended wrench size 17, 22, 27
601	Plug	200 Nm	Allen key size 17

## Working Tools



## HB 4100



### Metric

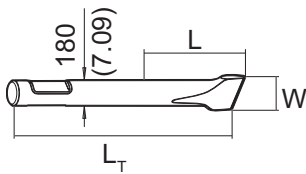
No.	Description	Remark	W (mm)	L (mm)	L <sub>T</sub> (mm)	Wt (kg)	Part number
1	Moil point	ClassicLine		620	1400	240.0	3363 0871 53
1	Moil point	ClassicLine		820	1600	280.0	3363 0822 59
1	Moil point	SilverLine		820	1600	280.0	3363 0944 53
2	Moil point (X-profile)	ClassicLine		820	1600	280.0	3363 1134 25
3	Chisel (cross)	ClassicLine	180	620	1400	250.0	3363 0859 79
3	Chisel (cross)	ClassicLine	180	820	1600	290.0	3363 0822 61
3	Chisel (cross)	SilverLine	180	820	1600	290.0	3363 0944 54
4	Chisel (X-profile)	ClassicLine	180	820	1600	290.0	3363 1134 26
5	Chisel (parallel)	ClassicLine	180	620	1400	250.0	3363 0942 58
5	Chisel (parallel)	ClassicLine	180	820	1600	290.0	3363 0942 59
6	Blunt tool	ClassicLine		620	1400	269.0	3363 0872 61
6	Blunt tool	ClassicLine		820	1600	309.0	3363 0822 63
6	Blunt tool	SilverLine		820	1600	309.0	3363 0944 55

### Imperial

No.	Description	Remark	W (in.)	L (in.)	L <sub>T</sub> (in.)	Wt (lb)	Part number
1	Moil point	ClassicLine		24.41	55.12	529.1	3363 0871 53
1	Moil point	ClassicLine		32.28	62.99	617.3	3363 0822 59
1	Moil point	SilverLine		32.28	62.99	617.3	3363 0944 53
2	Moil point (X-profile)	ClassicLine		32.28	62.99	617.3	3363 1134 25
3	Chisel (cross)	ClassicLine	7.09	24.41	55.12	551.1	3363 0859 79

No.	Description	Remark	W (in.)	L (in.)	L <sub>T</sub> (in.)	Wt (lb)	Part number
3	Chisel (cross)	ClassicLine	7.09	32.28	62.99	639.3	3363 0822 61
3	Chisel (cross)	SilverLine	7.09	32.28	62.99	639.3	3363 0944 54
4	Chisel (X-profile)	ClassicLine	7.09	32.28	62.99	639.3	3363 1134 26
5	Chisel (parallel)	ClassicLine	7.09	24.41	55.12	551.1	3363 0942 58
5	Chisel (parallel)	ClassicLine	7.09	32.28	62.99	639.3	3363 0942 59
6	Blunt tool	ClassicLine		24.41	55.12	593.0	3363 0872 61
6	Blunt tool	ClassicLine		32.28	62.99	681.2	3363 0822 63
6	Blunt tool	SilverLine		32.28	62.99	681.2	3363 0944 55

## HB 4100 DustProtector



### Metric

No.	Description	Remark	W (mm)	L (mm)	L <sub>T</sub> (mm)	Wt (kg)	Part number
1	Moil point	ClassicLine		575	1400	240.0	3363 0871 53
1	Moil point	ClassicLine		775	1600	280.0	3363 0822 59
1	Moil point	SilverLine		775	1600	280.0	3363 0944 53
2	Moil point (X-profile)	ClassicLine		775	1600	280.0	3363 1134 25
3	Chisel (cross)	ClassicLine	180	575	1400	250.0	3363 0859 79
3	Chisel (cross)	ClassicLine	180	775	1600	290.0	3363 0822 61
3	Chisel (cross)	SilverLine	180	775	1600	290.0	3363 0944 54
4	Chisel (X-profile)	ClassicLine	180	775	1600	290.0	3363 1134 26
5	Chisel (parallel)	ClassicLine	180	575	1400	250.0	3363 0942 58
5	Chisel (parallel)	ClassicLine	180	775	1600	290.0	3363 0942 59
6	Blunt tool	ClassicLine		575	1400	269.0	3363 0872 61
6	Blunt tool	ClassicLine		775	1600	309.0	3363 0822 63
6	Blunt tool	SilverLine		775	1600	309.0	3363 0944 55

### Imperial

No.	Description	Remark	W (in.)	L (in.)	L <sub>T</sub> (in.)	Wt (lb)	Part number
1	Moil point	ClassicLine		22.64	55.12	529.1	3363 0871 53
1	Moil point	ClassicLine		30.51	62.99	617.3	3363 0822 59
1	Moil point	SilverLine		30.51	62.99	617.3	3363 0944 53
2	Moil point (X-profile)	ClassicLine		30.51	62.99	617.3	3363 1134 25
3	Chisel (cross)	ClassicLine	7.09	22.64	55.12	551.1	3363 0859 79
3	Chisel (cross)	ClassicLine	7.09	30.51	62.99	639.3	3363 0822 61
3	Chisel (cross)	SilverLine	7.09	30.51	62.99	639.3	3363 0944 54
4	Chisel (X-profile)	ClassicLine	7.09	30.51	62.99	639.3	3363 1134 26
5	Chisel (parallel)	ClassicLine	7.09	22.64	55.12	551.1	3363 0942 58
5	Chisel (parallel)	ClassicLine	7.09	30.51	62.99	639.3	3363 0942 59
6	Blunt tool	ClassicLine		22.64	55.12	593.0	3363 0872 61

No.	Description	Remark	W (in.)	L (in.)	L <sub>T</sub> (in.)	Wt (lb)	Part number
6	Blunt tool	ClassicLine		30.51	62.99	681.2	3363 0822 63
6	Blunt tool	SilverLine		30.51	62.99	681.2	3363 0944 55



## Accessories

### Hydraulic hoses

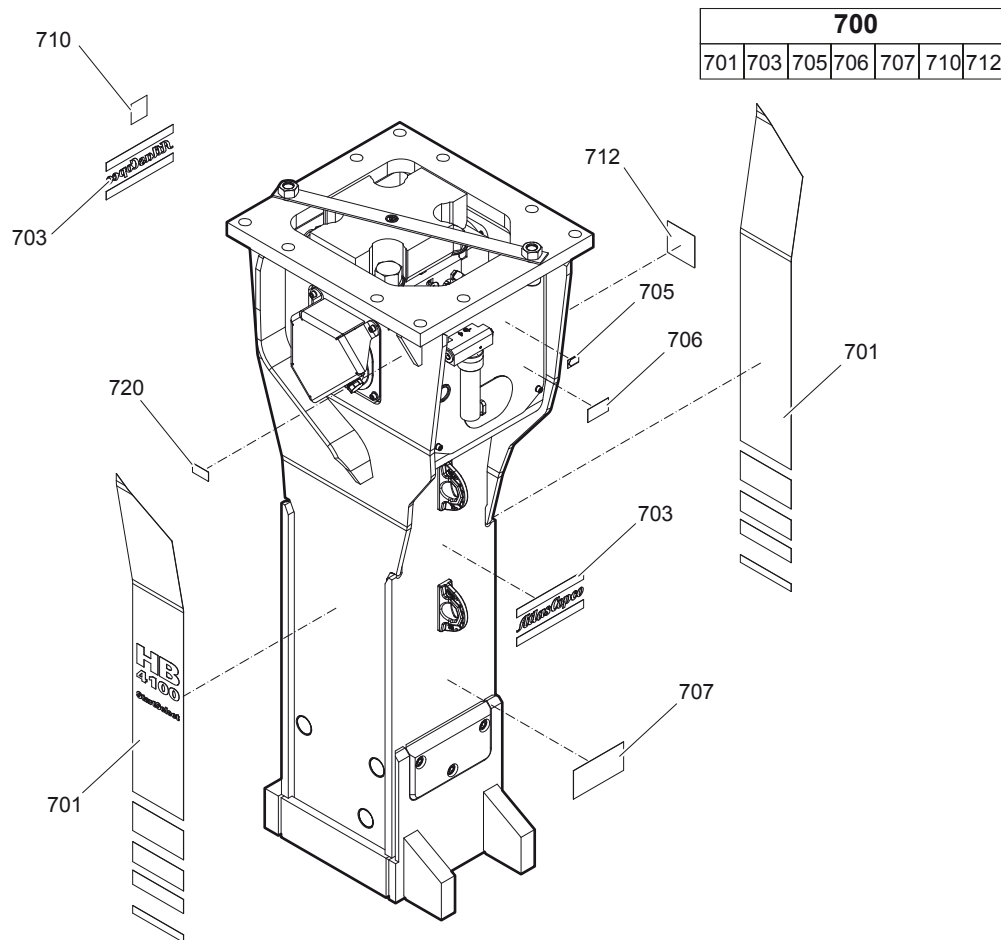
Description	Remark	Quantity	Part number
Hose	I.D. 32 (1 1/4"), both ends JIC 1 5/8", length 2800 mm (110 in.)	2	3361 8538 60
Hose	I.D. 32 (1 1/4"), both ends JIC 1 5/8", length 3500 mm (138 in.)	2	3361 8538 61

### Optional equipment

Description	Remark	Quantity	Part number
Chisel paste for ContiLube® II	12 x 500 g (1.1 lbs)	1	3363 0912 00
Grease gun for cartridge ContiLube® II		1	3363 0345 67
Grease nipple		1	3360 4337 74
Service box no. II with nitrogen cylinder	5 l 1.1 gal (1.32 US gal)	1	3363 0898 45
Service box no. III without nitrogen cylinder		1	3363 0949 40
Test gauge lower wear bush		1	3361 8521 75
Inside callipers upper wear bush		1	3363 0949 52
Adapter plate matching the carrier	Consult the Atlas Copco Customer Center/Dealer in your area.	1	-
Base plate with threaded inserts		1	3363 1047 27
Bolt kit		1	3363 0873 04
Base plate with through borings		1	3363 1047 25
Bolt kit		1	3363 0945 76
Allen key	27 mm for bolt kit	1	3360 4789 49
Adapter kit for underwater applications		1	3363 0905 31
Piston retainer		1	3363 0929 87

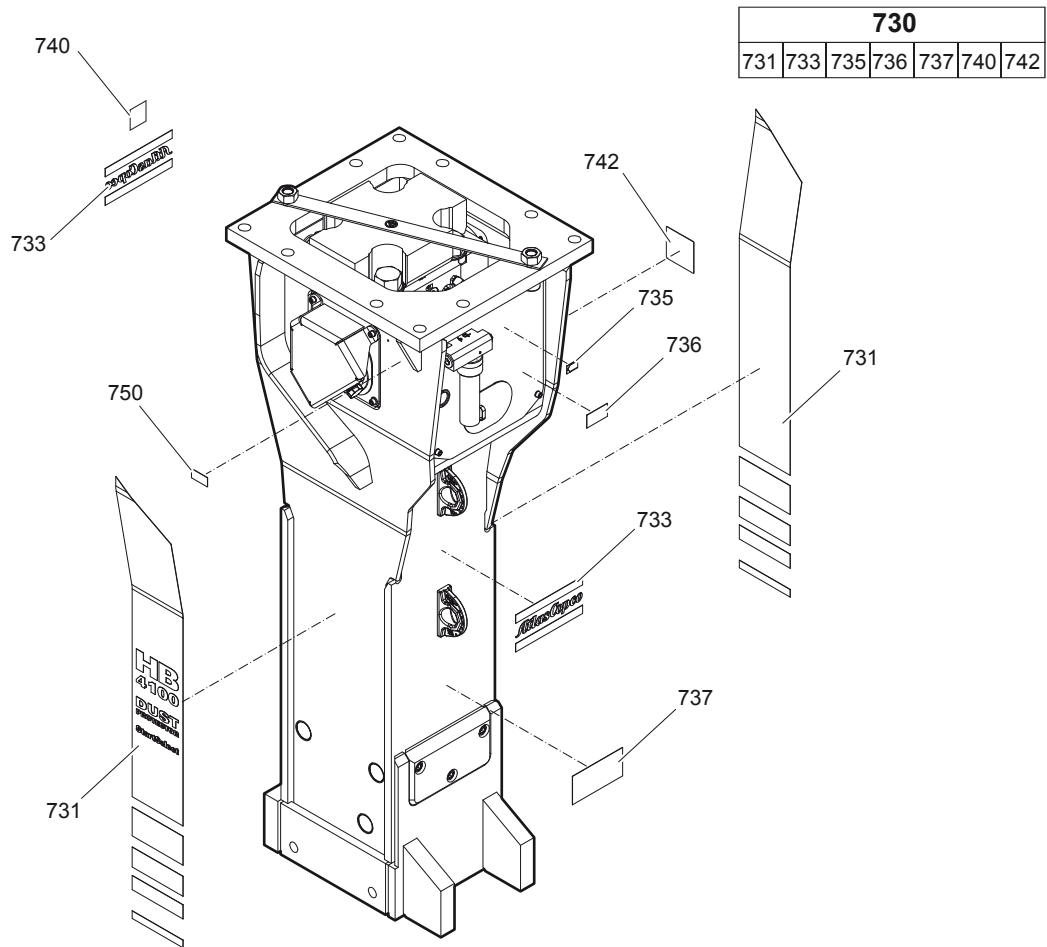
## Kits

## Label kit HB 4100



No.	Description	Remark	Quantity	Part number
<b>700(701-712)</b>	<b>Label kit HB 4100</b>		1	3363 1130 37
701	Product label	"HB 4100"	2	-
703	Product label	"Atlas Copco"	2	-
705	Lubricating symbol		1	-
706	Label gas pressure		1	-
707	Label working tools		1	-
710	Sound power label		1	-
712	Label AEM		1	-
720	Name plate	Consult the Atlas Copco Customer Center/Dealer in your area.	1	-

# Label kit HB 4100 DustProtector



No.	Description	Remark	Quantity	Part number
<b>730(731-742)</b>	<b>Label kit HB 4100 DP</b>		1	3363 1130 38
731	Product label	"HB 4100 DP"	2	-
733	Product label	"Atlas Copco"	2	-
735	Lubricating symbol		1	-
736	Label gas pressure		1	-
737	Label working tools		1	-
740	Sound power label		1	-
742	Label AEM		1	-
750	Name plate	Consult the Atlas Copco Customer Center/Dealer in your area.	1	-

## Seal kit

No.	Description	Remark	Quantity	Part number
	<b>Seal kit</b>		1	3363 1130 36
103	O-ring		1	3360 3143 75
108	O-ring		1	3360 3143 70
112	Back-up ring		1	3363 0870 85
113	O-ring		1	3363 1104 01
115	O-ring		1	3360 4781 71
120	O-ring		1	3361 0318 10
121	Back-up ring		1	3363 0874 83
138	O-ring		2	3360 3143 73
164	O-ring		1	3360 3143 64
165	Back-up ring		1	3360 3280 46
<b>145(146-147)</b>	<b>Seal kit</b>		2	3361 8504 22
146	O-ring		2	3361 8462 82
147	Back-up ring		2	3361 8462 81
182	Threaded plug		1	3360 4784 26
183	O-ring		1	3360 1751 25
203	Seal		1	3363 1131 67
204	Seal		1	3363 0981 38
<b>290(291-292)</b>	<b>Seal kit</b>		2	3363 0835 93
291	Seal		1	3363 0833 74
292	Back-up ring		1	3363 0833 75
301	Seal		6	3362 2675 85
302	Seal		8	3362 2675 89
305	Wiper		1	3363 0836 71
<b>390(391-392)</b>	<b>Seal kit</b>		2	3363 0835 94
391	Seal		1	3363 0833 76
392	Back-up ring		1	3363 0833 77
401	Seal		1	3362 2675 86
602	O-ring		1	3363 0832 45

## Seal kit for swivel joint (ContiLube® II)

No.	Description	Remark	Quantity	Part number
	<b>Seal kit</b>		1	3363 0917 32

## Plastic parts kit

No.	Description	Remark	Quantity	Part number
	<b>Plastic parts kit</b>		1	3363 1130 39
2	Elastic pad		1	3361 3567 89
3	Shock absorber		2	3361 3569 25
4	Guide plate		2	3363 1125 39
6	Plate		1	3363 0862 37

## Tensioning bolt kit

No.	Description	Remark	Quantity	Part number
	<b>Tensioning bolt kit</b>		1	3363 1132 70
191	Tensioning bolt		2	3363 1124 39
192	Washer		2	3363 0936 53
487	Threaded insert		2	3363 0853 21
870	Anti Seize 120 g		1	3363 0943 00

## DustProtector kit

No.	Description	Remark	Quantity	Part number
	<b>DustProtector kit</b>		1	3363 1131 48
11	Floating ring		1	3363 0706 65
12	Counter ring		1	3363 0338 01
13	Guide ring		1	3363 0337 33
14	Bolt		2	3363 1126 02
15	Locking bush		2	3361 8543 63

## Noise protection kit

No.	Description	Remark	Quantity	Part number
	<b>Noise protection kit</b>			3363 1134 24
34	Plug		11	3363 1119 12
35	Plug		1	3363 1126 68
36	Cover		2	3363 0311 81
41	Cover		1	3363 0926 97

## Lower breaker part kit (bronze)

No.	Description	Remark	Quantity	Part number
	<b>Lower breaker part kit</b>	HB 4100 with lower wear bush bronze	1	3363 0943 77
402	Retainer bar		2	3361 3315 29
403	Bolt		2	3362 2615 40
404	Plug		4	3362 2629 21
482	Impact ring		1	3363 0690 83
483	Wear bush		1	3363 0691 37
484	Wear bush	bronze	1	3363 0885 11
485	Bolt		2	3361 8543 47
486	Locking bush		2	3361 8543 63
488	Locking bush		2	3362 2604 33
	Chisel paste		1	3315 0381 00
	Test gauge		1	3361 8521 75

## Lower breaker part kit (steel)

No.	Description	Remark	Quantity	Part number
	<b>Lower breaker part kit</b>	HB 4100 with lower wear bush steel	1	3363 1034 08
402	Retainer bar		2	3361 3315 29
403	Bolt		2	3362 2615 40
404	Plug		4	3362 2629 21
482	Impact ring		1	3363 0690 83
483	Wear bush		1	3363 0691 37
484	Wear bush	steel	1	3363 0886 53
485	Bolt		2	3361 8543 47
486	Locking bush		2	3361 8543 63
488	Locking bush		2	3362 2604 33
	Chisel paste		1	3315 0381 00
	Test gauge		1	3361 8521 75

## Lower breaker part kit DustProtector (bronze)

No.	Description	Remark	Quantity	Part number
	<b>Lower breaker part kit</b>	HB 4100 DustProtector with lower wear bush bronze	1	3363 0943 78
18	Base for wiper		1	3363 0886 51
19	Wiper		1	3363 0342 65
402	Retainer bar		2	3361 3315 29
403	Bolt		2	3362 2615 40
404	Plug		4	3362 2629 21
482	Impact ring		1	3363 0690 83
483	Wear bush		1	3363 0691 37
484	Wear bush	bronze	1	3363 0885 11
485	Bolt		2	3361 8543 47
486	Locking bush		2	3361 8543 63
488	Locking bush		2	3362 2604 33
	Chisel paste		1	3315 0381 00
	Test gauge		1	3361 8521 75

## Lower breaker part kit DustProtector (steel)

No.	Description	Remark	Quantity	Part number
	<b>Lower breaker part kit</b>	HB 4100 DustProtector with lower wear bush steel	1	3363 1034 09
18	Base for wiper		1	3363 0886 51
19	Wiper		1	3363 0342 65
402	Retainer bar		2	3361 3315 29
403	Bolt		2	3362 2615 40
404	Plug		4	3362 2629 21
482	Impact ring		1	3363 0690 83
483	Wear bush		1	3363 0691 37
484	Wear bush	steel	1	3363 0886 53
485	Bolt		2	3361 8543 47
486	Locking bush		2	3361 8543 63
488	Locking bush		2	3362 2604 33
	Chisel paste		1	3315 0381 00
	Test gauge		1	3361 8521 75

## Fastening screw kit

No.	Description	Remark	Quantity	Part number
	<b>Fastening screw kit</b>		1	3363 1034 87
161	Fastening screw		4	3363 1131 01
162	Washer		4	3363 1000 49
172	Threaded insert		4	3361 0315 46

## Accumulator repair kit

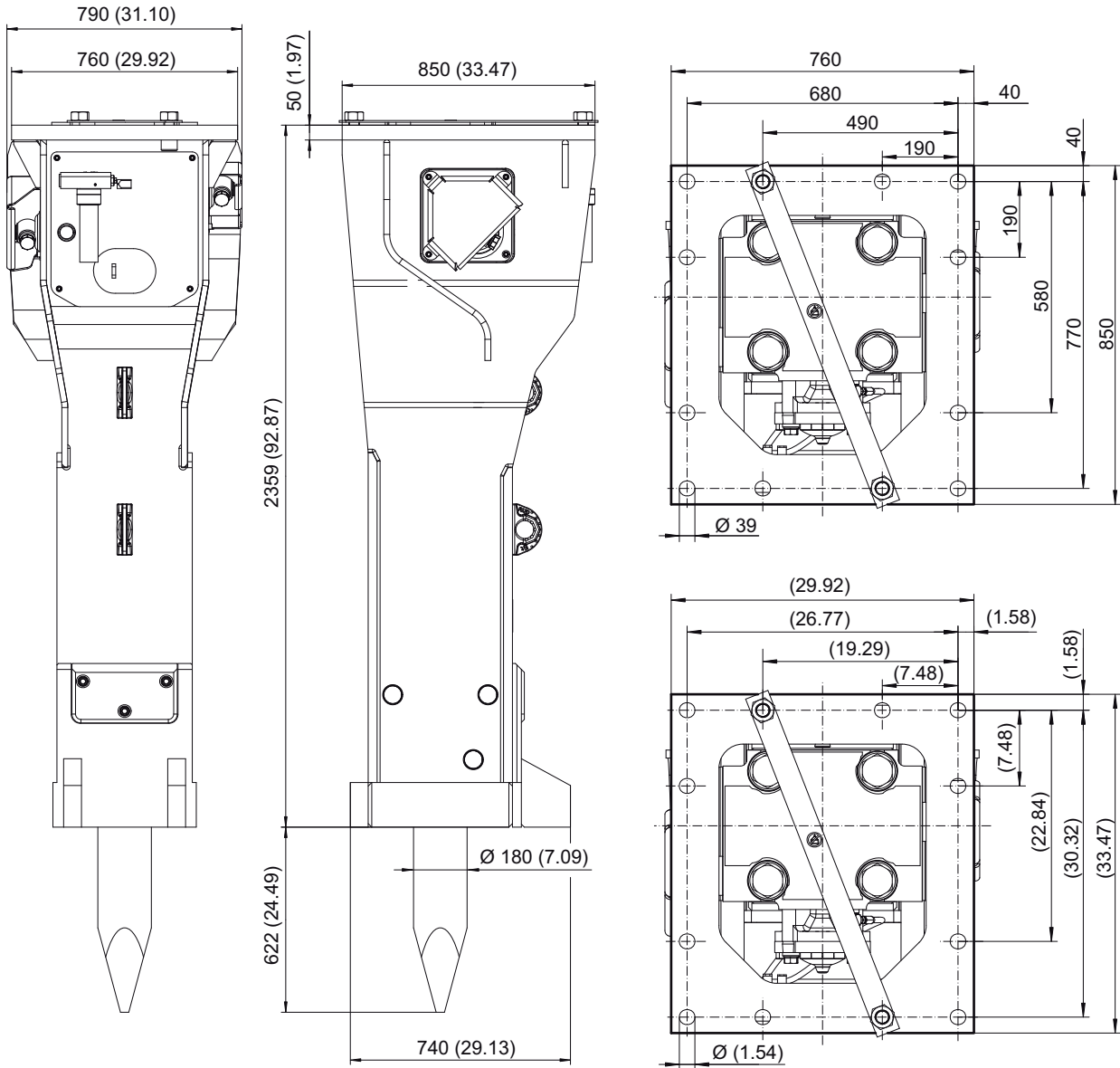
Accumulators are pressure containers in the context of the European Pressure Equipment Directive 97/23/EC. You have to observe all safety instructions comply with the laws and all national/regional regulations of your country if you repair accumulators.

No.	Description	Remark	Quantity	Part number
	<b>Accumulator repair kit</b>		1	3363 0898 50
	Diaphragm		1	3361 3290 22
	Filling screw		1	3360 3322 59
	O-ring		1	3360 3144 60
	Protective cap		1	3361 3350 25
	O-ring		1	3360 3143 64
	Back-up ring		1	3360 3280 46

# Dimensions

## Dimensions HB 4100

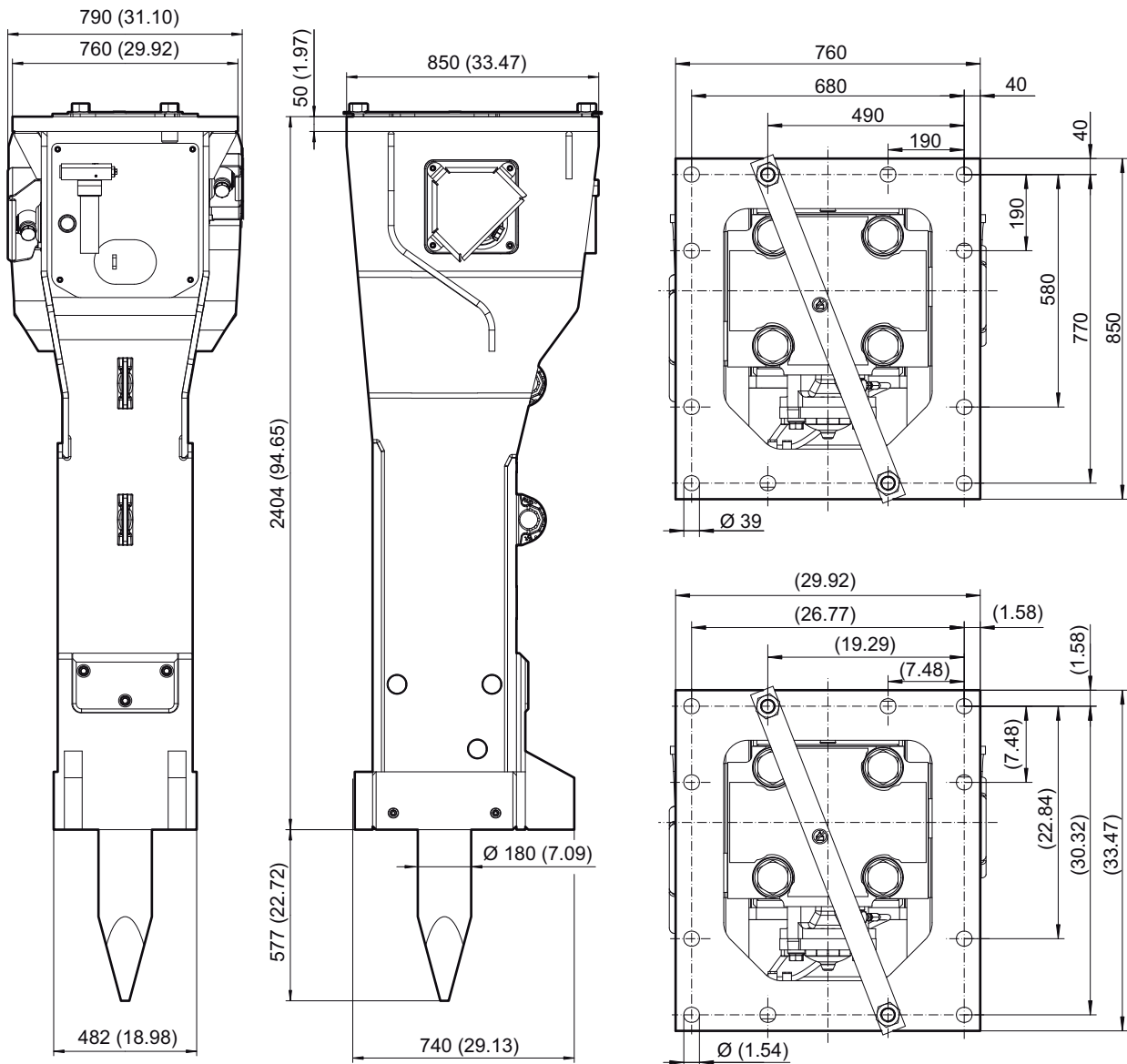
mm (inch)





# Dimensions HB 4100 DustProtector

mm (inch)









Any unauthorized use or copying of the contents or any part thereof is prohibited.  
This applies in particular to trademarks, model denominations, part numbers, and drawings.

© 2013 Atlas Copco Construction Tools GmbH | No. 3390 7583 01 | 2013-02-26

[www.atlascopco.com](http://www.atlascopco.com)