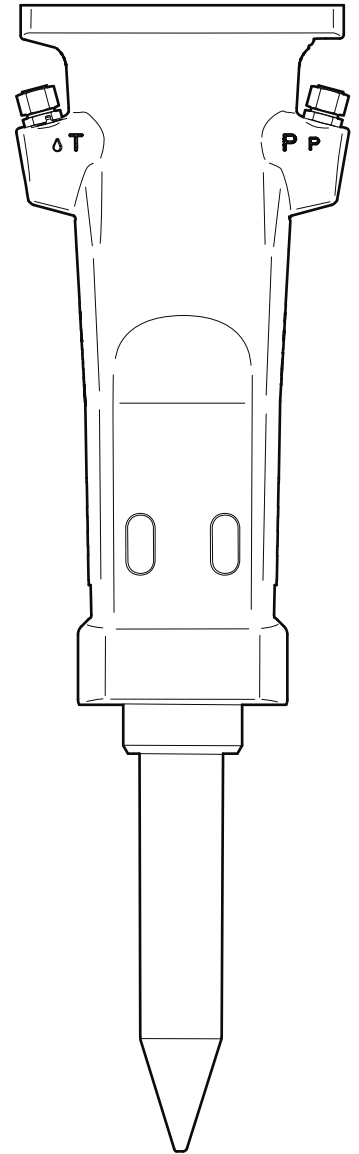


Spare parts list Hydraulic breakers

	Valid from serial number
SB 552	BES2103



Contents

General information	5
Spare parts list	6
Optional parts	10
Bushing oversize, complete.....	10
Restrictor, complete.....	12
Tightening torque	14
Working tools	15
Accessories	17
Optional equipment	17
Hydraulic hoses	17
Kits	18
Label kit	18
Seal kit	19
Lower hammer part kit	20
Accumulator repair kit	21
Dimensions	22

General information

This spare parts list applies to the following:

Part number	Description
8460 0300 80	Hydraulic breaker SB 552

Use only authorized parts. Any damage or malfunction caused by the use of unauthorized parts is not covered by Warranty or Product Liability. Any unauthorized use or copying of the contents or any part thereof is prohibited. This applies in particular to trademarks, model denominations, part numbers, and drawings.

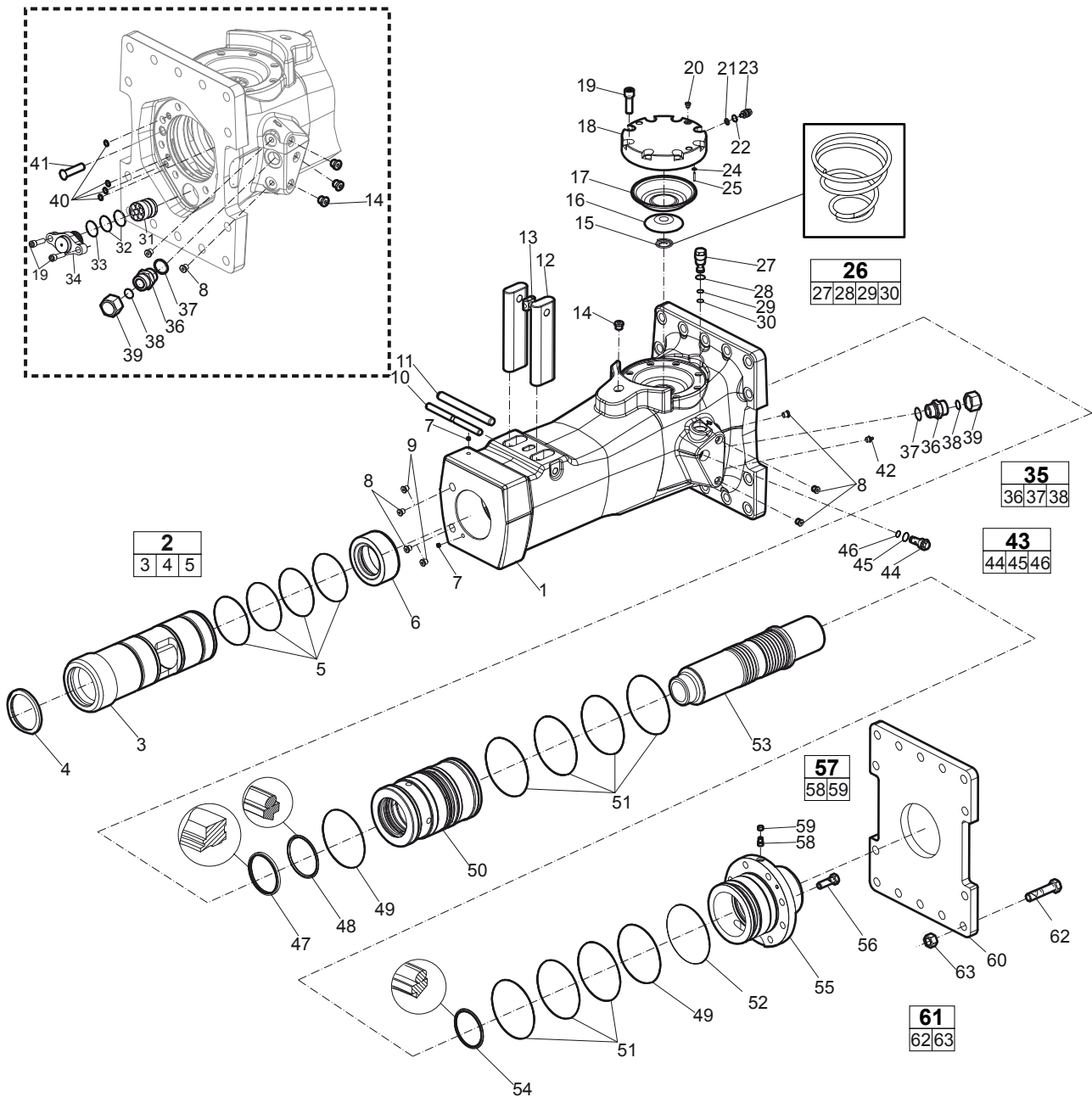
Instructions for use

This spare parts list contains no safety regulations and is merely intended to assist in the ordering of spare parts.

For information about operating, servicing, or repairing, the relevant Safety and operating instructions must be consulted at all costs.

Please observe the safety instructions listed in the relevant Safety and operating instructions!

Spare parts list

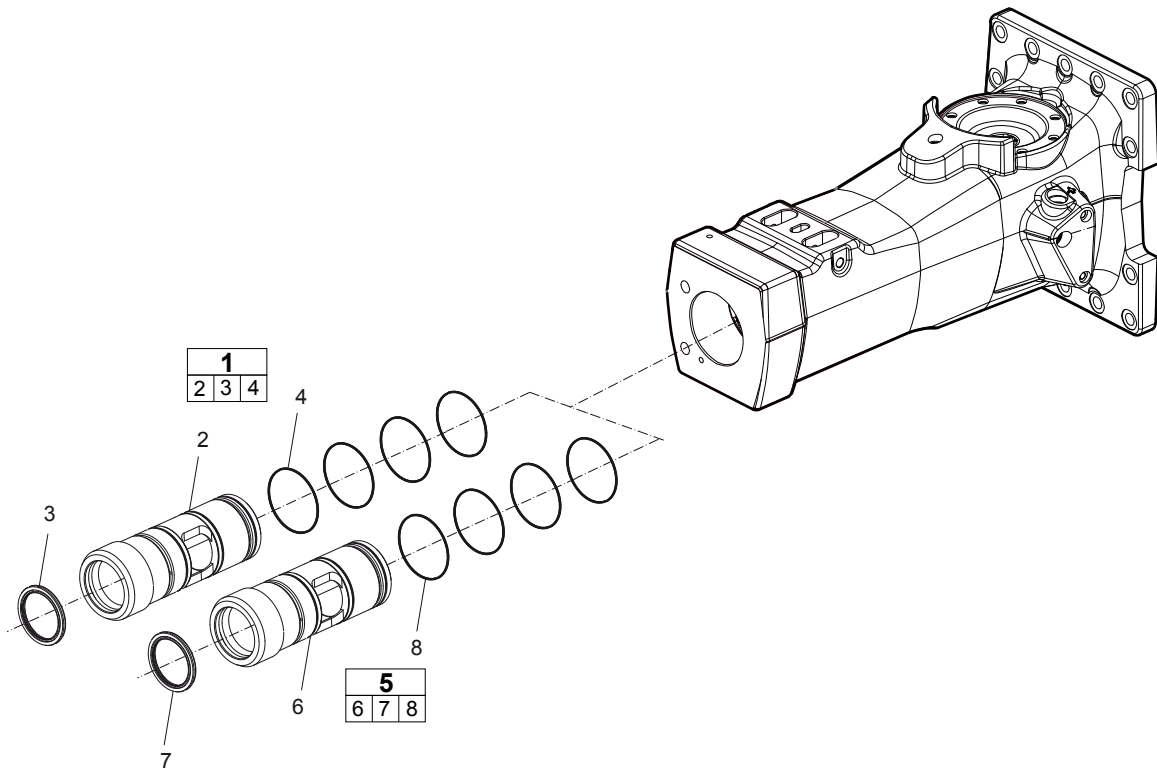


No.	Description	Remark	Quantity	Part number
1	Breaker body		1	-
2(3-5)	Bushing, complete	For oversize bushings, see section "Bushing oversize, complete".	1	3315 3029 80
3	Bushing		1	-
4	Scraper ring		1	3315 3030 00
5	O-ring	119.5 x 3 mm 4.7 x 0.12 in. (90 shore)	4	0663 2108 23
6	Stop ring		1	3315 3028 00
7	Plug		2	0686 1000 09
8	Plug	VSTI G ¼-ED	7	0686 6442 07
9	Water nozzle	Option	2	3315 3952 00
10	Lock pin		1	3315 3191 00
11	Spring pin	Option	1	0108 1691 29
12	Tool retainer		2	3315 3059 00
13	Lock buffer		1	3315 1419 00
14	Plug	VSTI G ¾-ED	4	0686 3718 01
15	Coil spring		1	3315 3035 00
16	Diaphragm support		1	3315 3032 01
17	Diaphragm		1	3315 3033 00
18	Diaphragm cover		1	3315 3031 00
19	Hexagon socket screw	Screw with extra high fatigue strength.	10	0211 1965 44
20	Plug	VSTI G ½-ED	1	0686 3718 05
21	Seal ring		1	3115 3290 02
22	O-ring	13.3 x 2.4 mm 0.52 x 0.09 in. (70 shore)	1	0663 2120 00
23	Charge valve		1	3315 3660 00
24	O-ring	7.3 x 2.4 mm 0.29 x 0.09 in. (90 shore)	1	0663 2114 00
25	Parallel pin	D4 x 25 mm	1	0101 4140 00
26(27-30)	Pressure relief valve, complete		1	3315 3658 00
27	Pressure relief valve		1	-
28	O-ring	20.35 x 1.78 mm 0.8 x 0.07 in. (90 shore)	1	9125 6211 00
29	O-ring	14 x 1.78 mm 0.55 x 0.07 in. (90 shore)	1	0663 2104 21
30	Back-up ring		1	0661 2004 01
31	Control valve		1	3315 3121 00
32	Seal ring	51.3 x 54.3 x 3 mm 2.02 x 2.14 x 0.12 in.	2	0663 9900 26
33	O-ring	47.29 x 2.62 1.86 x 0.10 in. (90 shore)	1	0663 2114 91
34	Valve cover		1	3315 3628 00
35(36-38)	Nipple, complete	There are two "Nipple, complete" on the machine.	1	0570 7000 05
36	Nipple	1 ¾" -12UN G1A	1	-
37	Seal ring		1	0664 0000 05
38	O-ring	23.52 x 1.78 mm 0.93 x 0.07 in. (90 shore)	1	0663 2111 25
39	Cap		2	0570 7000 11
40	Seal	SRC 10 x 16 x 2.4 mm 0.39 x 0.63 x 0.09 in.	4	0665 0900 14
41	Plug		1	3315 3367 00
42	Grease nipple	ISO 7-R ¼	1	0544 2153 00

No.	Description	Remark	Quantity	Part number
43(44-46)	Restrictor standard, complete	For more restrictors, see section "Restrictor, complete".	1	3315 3696 55
44	Restrictor, standard	Ø7.7 mm Ø0.3 in.	1	-
45	O-ring	14 x 1.78 mm 0.55 x 0.07 in. (90 shore)	1	0663 2104 21
46	O-ring	20.35 x 1.78 mm 0.8 x 0.07 in. (90 shore)	1	9125 6211 00
47	Wiper		1	0665 9099 49
48	Piston rod seal		1	0665 0701 34
49	Beaseal	159.4 x 162.3 x 3 mm 6.28 x 6.39 x 0.12 in.	2	0663 9900 27
50	Liner		1	3315 3025 00
51	O-ring	149.5 x 3 mm 5.89 x 0.12 in.	7	0663 2113 03
52	O-ring	151.64 x 1.78 mm 5.97 x 0.07 in. (70 shore)	1	0663 2115 06
53	Piston		1	3315 3024 00
54	Piston rod seal		1	0665 0701 33
55	Back head		1	3315 3034 00
56	Hexagon head screw	M20 x 70 mm 8.8	8	0147 1555 03
57(58-59)	Check valve, complete		1	3315 2448 81
58	Check valve		1	-
59	Valve rubber		1	3315 2808 00
60	Base plate, option		1	3315 3077 00
61(62-63)	Set of screws, complete		1	3315 3239 90
62	Screw		14	-
63	Nut	M20	14	-

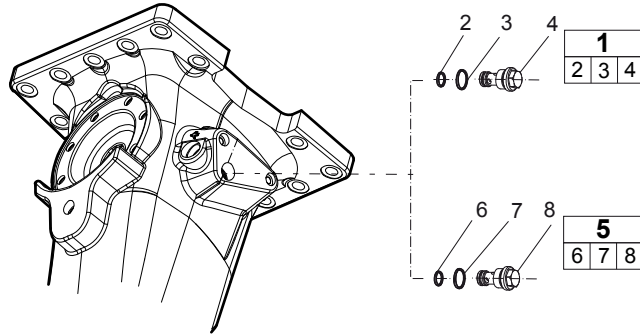
Optional parts

Bushing oversize, complete



No.	Description	Remark	Quantity	Part number
1(2-4)	Bushing oversize, complete		1	3315 3029 60
2	Bushing	Ø 135.5 mm Ø 5.33 in.	1	-
3	Scraper ring		1	3315 3030 00
4	O-ring	119.5 x 3 mm 4.70 x 0.12 in. (90 shore)	4	0663 2115 08
5(6-8)	Bushing oversize, complete		1	3315 3029 63
6	Bushing	Ø 137 mm Ø 5.39 in.	1	-
7	Scraper ring		1	3315 3030 00
8	O-ring	119.5 x 3 mm 4.70 x 0.12 in. (90 shore)	4	0663 2115 08

Restrictor, complete



No.	Description	Remark	Quantity	Part number
1(2-4)	Restrictor, complete		1	3315 3696 35
2	O-ring	14 x 1.78 mm 0.55 x 0.07 in. (90 shore)	1	0663 2104 21
3	O-ring	20.35 x 1.78 mm 0.80 x 0.07 in. (90 shore)	1	9125 6211 00
4	Restrictor	Ø5.4 mm Ø0.21 in.	1	-
5(6-8)	Restrictor, complete		1	3315 3696 45
6	O-ring	14 x 1.78 mm 0.55 x 0.07 in. (90 shore)	1	0663 2104 21
7	O-ring	20.35 x 1.78 mm 0.80 x 0.07 in. (90 shore)	1	9125 6211 00
8	Restrictor	Ø6.0 mm Ø0.24 in.	1	-

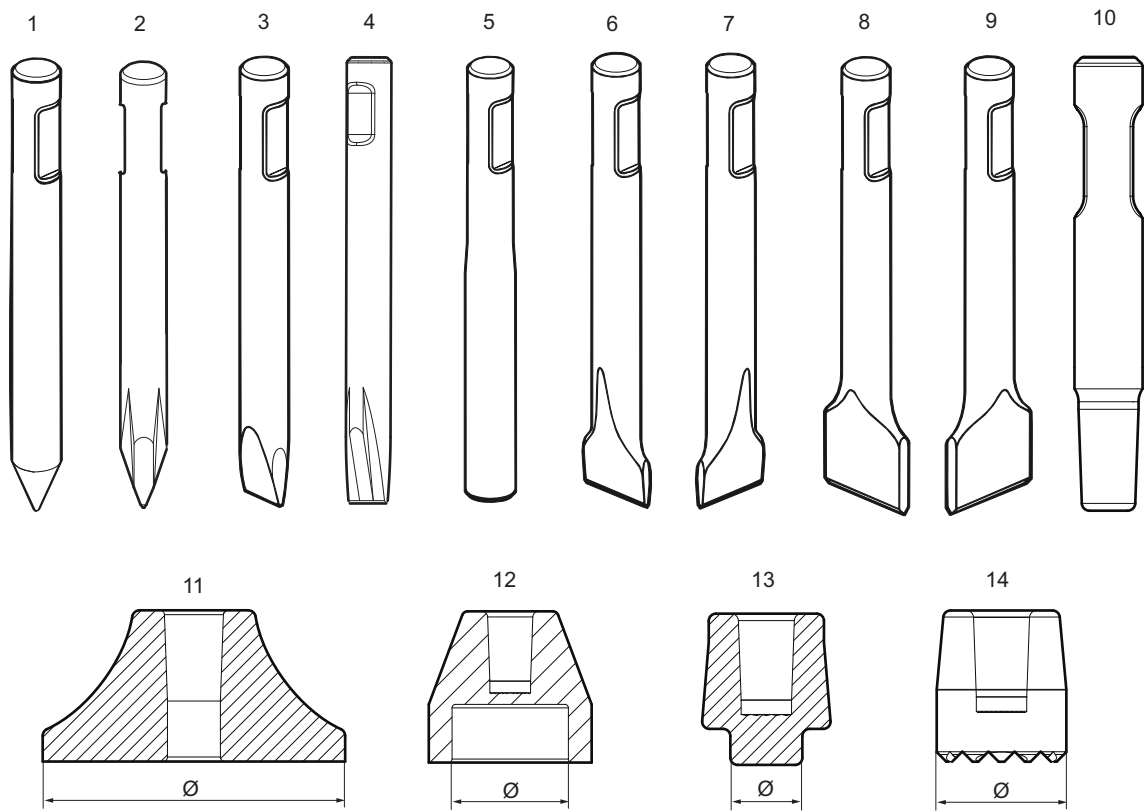
Tightening torque

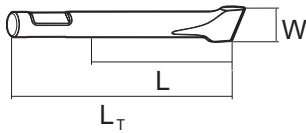
No.	Description	Tightening torque	Remark
8	Plug	30 Nm	LOCTITE® 243™
14	Plug	80 Nm	LOCTITE® 243™
19	Hexagon socket screw	300 Nm	Molycote®
20	Plug	20 Nm	
23	Charge valve	20 Nm	
27	Pressure relief valve	80 Nm	
36	Nipple	315 Nm	
42	Grease nipple	30 Nm	
44	Restrictor, standard	80 Nm	
56	Hexagon head screw	315 Nm	Molycote®
58	Check valve	30 Nm	LOCTITE® 243™
63	Nut	400 Nm	Molycote®

LOCTITE is a registered trademark of Henkel Corporation. 243 is a trademark of Henkel Corporation

Molycote is a registered trademark of Dow Corning Corporation.

Working tools





Metric

No.	Description	W (mm)	L (mm)	L _T (mm)	Wt (kg)	Part number
1	Moil point	-	475	900	49	3083 3409 05
2	Moil point (X-profile)	-	475	900	46	3363 0982 58
3	Chisel (cross)	100	475	900	51	3083 3409 06
4	Chisel (X-profile)	100	475	900	48	3363 0982 59
5	Blunt tool	-	475	900	53	3083 3409 07
6	Wide chisel (cross)	200	475	900	52	3083 3409 24
7	Wide chisel (parallel)	200	475	900	52	3083 3409 25
8	Asphalt cutter (cross)	200	475	900	52	3083 3409 42
9	Asphalt cutter (parallel)	200	475	900	39	3083 3409 43
10	Shaft	-	-	900	53	3315 3705 00
11	Tamping pad (square)	Ø400	-	-	80	3315 3712 00
12	Post driver pad (round)	Ø200	-	-	33	3315 3720 00
13	Pile driver pad (round)	Ø150	-	-	26	3315 3726 00
14	Bushing pad (round)	Ø190	-	-	30	3315 3732 00

Imperial

No.	Description	W (in.)	L (in.)	L _T (in.)	Wt (lb)	Part number
1	Moil point	-	18.7	35.4	108	3083 3409 05
2	Moil point (X-profile)	-	18.7	35.4	101	3363 0982 58
3	Chisel (cross)	3.93	18.7	35.4	112	3083 3409 06
4	Chisel (X-profile)	3.93	18.7	35.4	106	3363 0982 59
5	Blunt tool	-	18.7	35.4	117	3083 3409 07
6	Wide chisel (cross)	7.87	18.7	35.4	115	3083 3409 24
7	Wide chisel (parallel)	7.87	18.7	35.4	115	3083 3409 25
8	Asphalt cutter (cross)	7.87	18.7	35.4	115	3083 3409 42
9	Asphalt cutter (parallel)	7.87	18.7	35.4	86	3083 3409 43
10	Shaft	-	-	35.4	117	3315 3705 00
11	Tamping pad (square)	Ø15.75	-	-	176	3315 3712 00
12	Post driver pad (round)	Ø7.87	-	-	73	3315 3720 00
13	Pile driver pad (round)	Ø5.90	-	-	57	3315 3726 00
14	Bushing pad (round)	Ø7.48	-	-	66	3315 3732 00

Accessories

Optional equipment

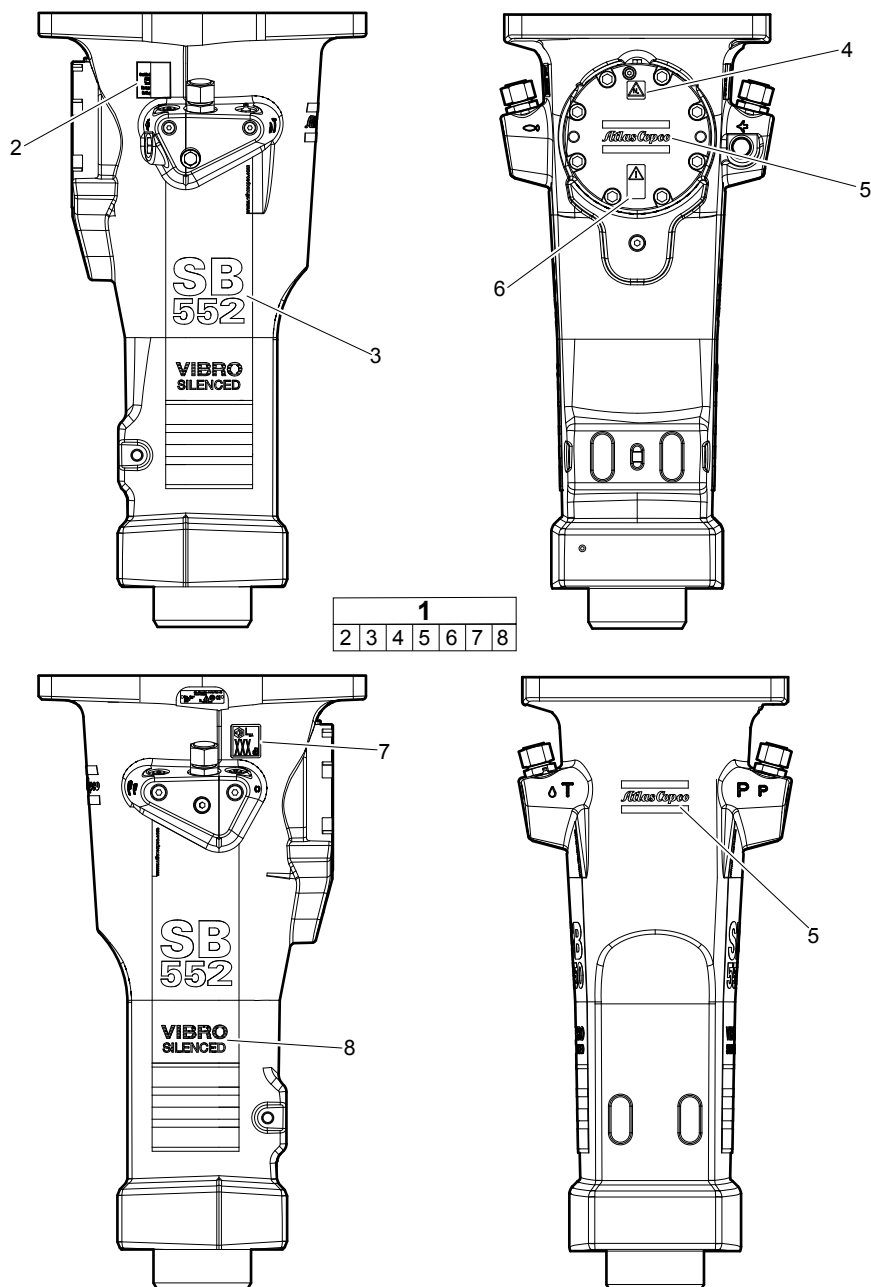
Description	Remark	Quantity	Part number
Grease gun	For manual greasing with cartridge, 400 g (0.88 lb)	1	0909 1071 00
Chisel paste cartridge	400 g x 12 0.88 lb x 12	1	3363 0949 13
ContiLube™ II micro		1	3315 3831 90
Welding kit, universal	For ContiLube™ II micro	1	3315 3867 80
Hose kit, universal	For ContiLube™ II micro	1	3315 3862 80
Chisel paste cartridge	150 g x 12 0.33 lb x 12	1	3363 1064 47
Filling device	For the 150 g (0.33 lb) Chisel paste cartridges, to use in combination with Chisel paste container 15 kg (33 lb)	1	3363 0946 69
Filling adapter	For the 150 g (0.33 lb) Chisel paste cartridges, suitable with the filling device for 15 kg (33 lb) and 45 kg (99 lb)	1	3315 3839 80
Filling device	For the 150 g (0.33 lb) Chisel paste cartridges, to use in combination with Chisel paste container 45 kg (99 lb)	1	3363 0664 11
Chisel paste container	15 kg 33 lb	1	3362 2639 00
Chisel paste container	45 kg 99 lb	1	3362 2632 75
Filling device for accumulator		1	3360 9204 15
Nipple, for charging the accumulator		1	3363 0944 59
Filling hose, for charging the accumulator		1	3361 3298 03
Bushing wear controller		1	3315 3531 00

Hydraulic hoses

Description	Remark	Quantity	Part number
Hose	I.D. 20 (0.79 in.), both ends M36 x 2 mm conical seal 24°, length 2,300 mm (90.5 in.)	2	3360 3322 94
Hose	I.D. 20 (0.79 in.), both ends M36 x 2 mm conical seal 24°, length 2,800 mm (110.2 in.)	2	3363 0859 47
Additional fitting kit	Needed to fit two hoses to the hydraulic breaker	1	3363 0949 64

Kits

Label kit

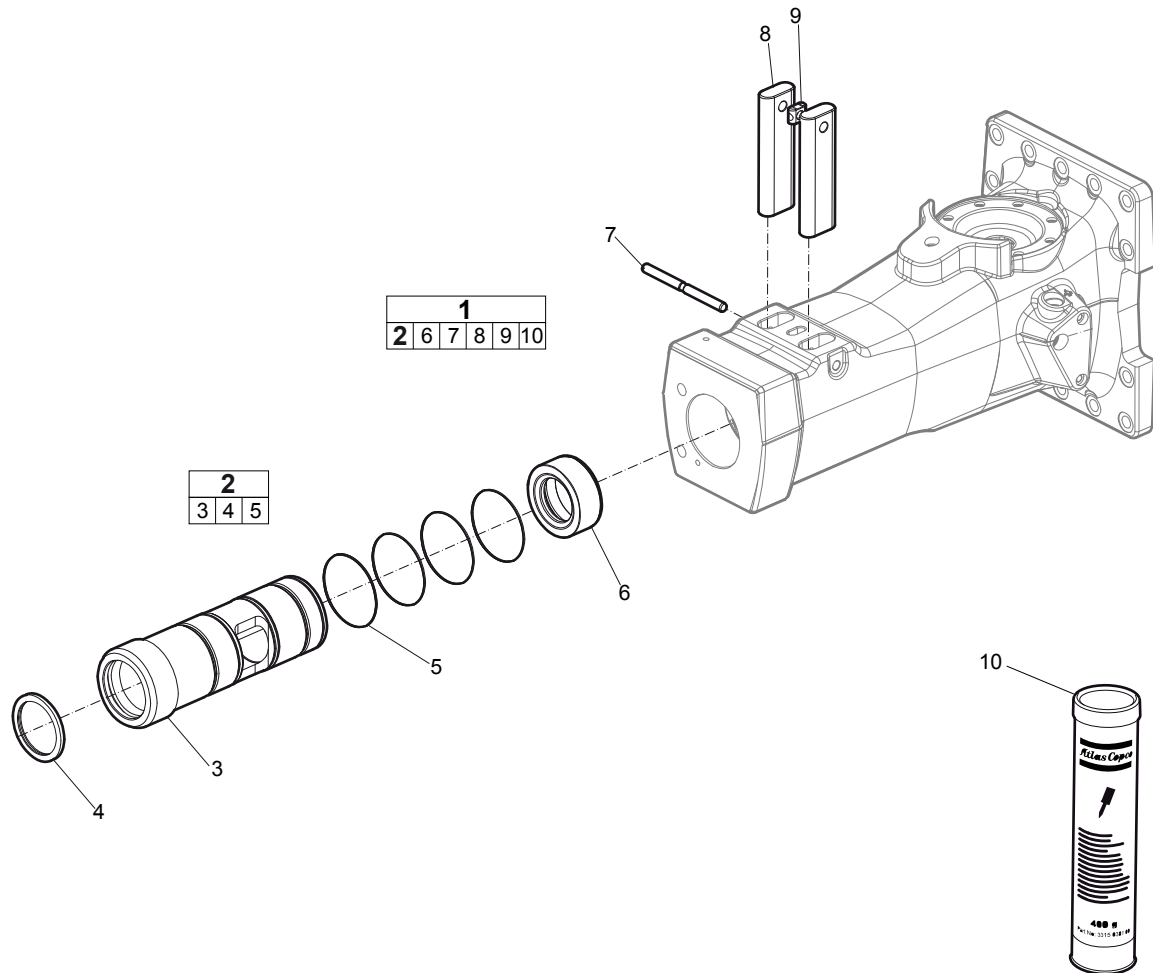


No.	Description	Remark	Quantity	Part number
1(2-8)	Label kit		1	3315 3215 90
2	AEM sign		1	-
3	Product label	"SB 552"	1	-
4	Safety label		1	-
5	Product label	"Atlas Copco"	2	-
6	Safety label		1	-
7	Noise level label		1	-
8	Label	"Vibro Silenced"	1	-

Seal kit

Description	Remark	Quantity	Part number
Seal kit		1	3315 3036 90
O-ring	119.5 x 3 mm 4.70 x 0.12 in. (90 shore)	4	0663 2108 23
Seal ring		1	0661 1000 24
Seal ring		1	3115 3290 02
O-ring	13.3 x 2.4 mm 0.52 x 0.09 in. (70 shore)	1	0663 2120 00
O-ring	7.3 x 2.4 mm 0.29 x 0.09 in. (70 shore)	1	0663 2114 00
O-ring	20.35 x 1.78 mm 0.80 x 0.07 in. (90 shore)	2	9125 6211 00
O-ring	14 x 1.78 mm 0.55 x 0.07 in. (90 shore)	1	0663 2114 91
Back-up ring		1	0661 2004 01
Beanseal	51.3 x 54.3 x 3 mm 2.02 x 2.14 x 0.12 in.	2	0663 9900 26
Seal ring		2	0664 0000 05
O-ring	23.52 x 1.78 mm 0.93 x 0.07 in. (90 shore)	2	0663 2111 25
Seal ring	SRC 10 x 16 x 2.4 mm 0.39 x 0.63 x 0.09 in.	4	0665 0900 14
Plug		1	3315 3367 00
Wiper		1	0665 9099 49
Piston rod seal		1	0665 0701 34
Beanseal	159.4 x 162.3 x 3 mm 6.28 x 6.39 x 0.12 in.	2	0663 9900 27
O-ring	149.5 x 3 mm 5.89 x 0.12 in.	7	0665 2113 03
Piston rod seal		1	0665 0701 33
Valve rubber		1	3315 2808 00
O-ring	14 x 1.78 mm 0.55 x 0.07 in. (90 shore)	2	0663 2104 21
O-ring	151.64 x 1.78 mm 5.97 x 0.07 in. (70 shore)	1	0663 2115 06
Scraper ring		1	3315 3030 00

Lower hammer part kit



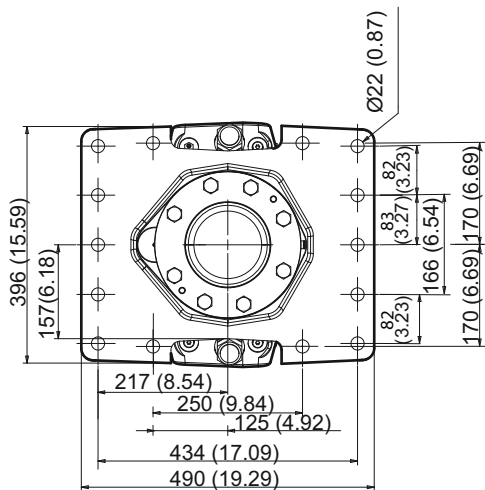
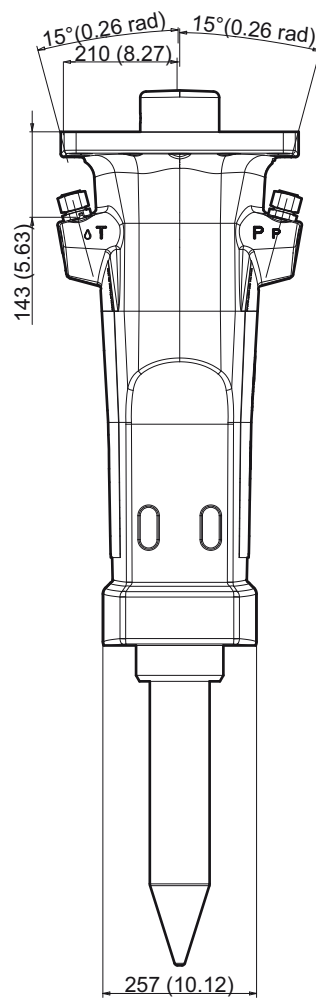
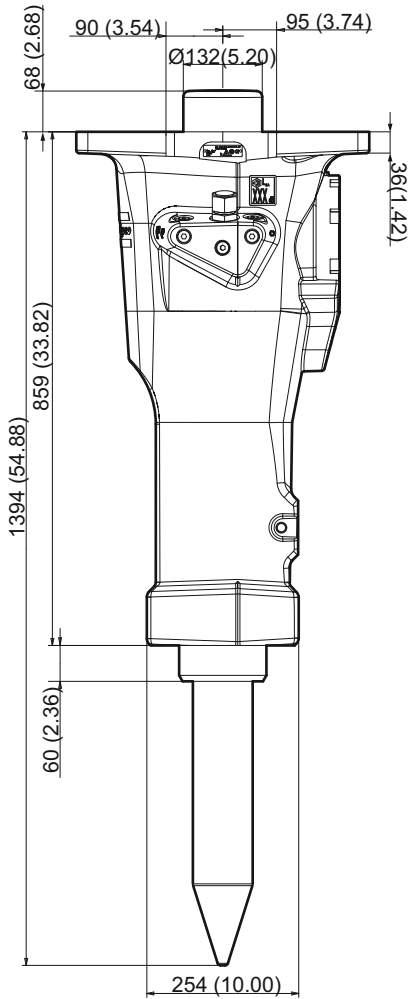
No.	Description	Remark	Quantity	Part number
1(2,6-10)	Lower hammer part kit		1	3315 3521 95
2(3-5)	Bushing, complete		1	3315 3029 80
3	Bushing		1	-
4	Scraper ring		1	3315 3030 00
5	O-ring	119.5 x 3 mm 4.71 x 0.12 in. (90 shore)	4	0663 2108 23
6	Stop ring		1	3315 3028 00
7	Lock pin		1	3315 3191 00
8	Tool retainer		2	3315 3059 00
9	Lock buffer		1	3315 1419 00
10	Chisel paste cartridge, 400 g		1	-

Accumulator repair kit

Description	Remark	Quantity	Part number
Accumulator repair kit		1	3315 3031 90
Coil spring		1	3315 3035 00
Diaphragm support		1	3315 3032 01
Diaphragm		1	3315 3033 00
Screw	Screw with extra high fatigue strength.	8	0211 1965 44
Plug	VSTI R ¼ - ED	1	0686 3718 05
Seal ring		1	3115 3290 02
O-ring	13.3 x 2.4 mm 0.52 x 0.09 in. (70 shore)	1	0663 2120 00
Charge valve		1	3315 3660 00
Parallel pin	D4 x 25 mm	1	0101 4140 00
O-ring	7.3 x 2.4 mm 0.29 x 0.09 in. (90 shore)	1	0663 2114 00

Dimensions

mm (inch)



Any unauthorized use or copying of the contents or any part thereof is prohibited.
This applies in particular to trademarks, model denominations, part numbers, and
drawings.

© 2013 Atlas Copco Construction Tools AB | No. 9800 0676 01g | 2013-05-27

Atlas Copco

www.atlascopco.com