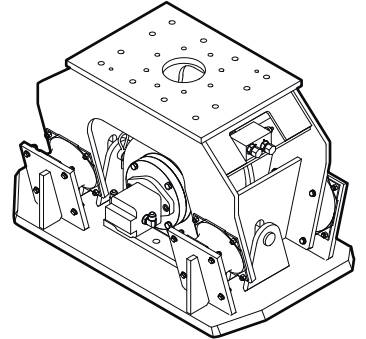


## Spare parts list Hydraulic compactor

	Valid from serial number
HC 850	BGB920301





# Contents

<b>General information</b> .....	5
<b>Spare parts list</b> .....	6
Hydraulic compactor .....	6
<b>Tightening torques</b> .....	8
<b>Accessories</b> .....	9
Hydraulic hoses .....	9
Optional equipment .....	9
<b>Kits</b> .....	10
Label kit .....	10
Seal kit (Hydraulic motor) .....	10
Rubber isolator kit .....	10
<b>Dimensions</b> .....	11



## General information

This spare parts list applies to the following:

Part number	Description
1826 1017 49	Hydraulic compactor HC 850

Use only authorized parts. Any damage or malfunction caused by the use of unauthorized parts is not covered by Warranty or Product Liability. Any unauthorized use or copying of the contents or any part thereof is prohibited. This applies in particular to trademarks, model denominations, part numbers, and drawings.

### Instructions for use

This spare parts list contains no safety regulations and is merely intended to assist in the ordering of spare parts.

For information about operating, servicing, or repairing, the relevant Safety and operating instructions must be consulted at all costs.

Please observe the safety instructions listed in the relevant Safety and operating instructions!

### Instructions of ordering

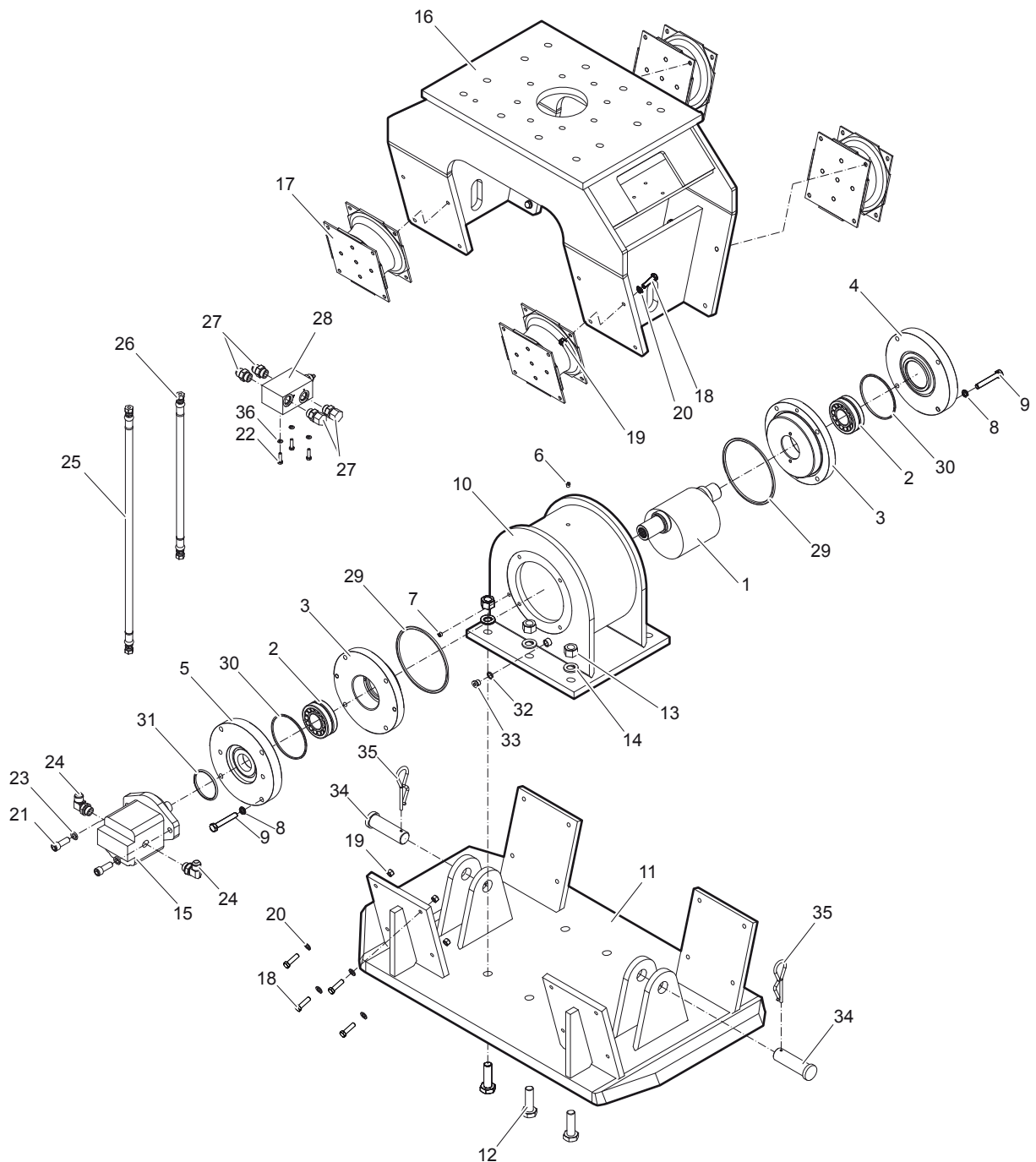
It is essential to indicate the serial number of the hydraulic attachment when ordering spare parts!

Determine the quantity of individual parts which are required and need to be ordered. The order must indicate the following details:

- full identification code of the hydraulic attachment
- required quantity
- part number
- description

# Spare parts list

## Hydraulic compactor



No.	Description	Remark	Quantity	Part number
1	Rotor		1	3376 6920 04
2	Bearing		2	3376 1007 37
3	Bearing retainer		2	3376 6980 13
4	Bearing cover		1	3376 6980 12
5	Bearing cover		1	3376 6980 11
6	Air breather valve		1	3376 1007 79
7	Threaded plug		1	3371 8131 41
8	Washer		8	3376 1007 71
9	Hexagon head bolt		8	3376 1007 24
10	Rotor housing		1	3376 6981 09
11	Tamper plate complete	with no. 12-14	1	3376 6980 35
12	Hexagon head bolt		6	3376 1008 31
13	Nut		6	3376 1000 66
14	Washer		6	3376 0017 04
15	Hydraulic motor		1	3376 1007 27
16	Outer housing		1	3376 6981 06
17	Rubber isolator		4	3376 1007 30
18	Hexagon head bolt		32	3376 1005 98
19	Nut		32	3371 8167 02
20	Washer		32	3371 8067 05
21	Set screw		2	3376 1001 36
22	Hexagon head bolt		3	3376 1001 68
23	Washer		2	3376 1000 88
24	Elbow joint 90°		2	3376 1007 35
25	Hydraulic hose		1	3376 1007 82
26	Hydraulic hose		1	3376 1007 81
27	Fitting, male thread 1-1/16 UNF 37° 3/4 JIC		4	3376 1007 31
28	Valve block, female thread 1-1/16 UNF		1	3376 6920 07
29	O-ring		2	3376 1007 80
30	O-ring		2	3376 1000 74
31	O-ring		1	3376 1000 52
32	Seal ring		1	3377 0163 75
33	Plug		1	3371 8037 07
34	Axle		2	3376 6981 41
35	Locking clip		2	3376 0010 74
36	Washer		3	3377 0006 53

## Tightening torques

No.	Description	Tightening torque	Remark
6	Open-ended wrench	pretighten finger tight, then 1 - 2 turns tighten with the open-ended wrench	
7	Allen key	pretighten finger tight, then 1 - 2 turns tighten with the Allen key	
9	Open-ended wrench	148 Nm	
12	Open-ended wrench	798 Nm	
13	Open-ended wrench	798 Nm	
18	Open-ended wrench	329 Nm	
19	Open-ended wrench	329 Nm	
21	Open-ended wrench	230 Nm	
22	Open-ended wrench	20 Nm	
33	Allen key	30.5 Nm	



# Accessories

## Hydraulic hoses

Description	Remark	Quantity	Part number
Hydraulic hose	I.D. 20 (0.79"), both ends M 36 x 2 conical seal 24°, length 2300 mm (91 in.)	2	3360 3322 94
Hydraulic hose	I.D. 20 (0.79"), both ends M 36 x 2 conical seal 24°, length 2800 mm (110 in.)	2	3363 0859 47

### Note

You need a special fitting set when using these hose connections. The fitting set must be ordered separately. Accessories to the hydraulic hoses

Description	Remark	Quantity	Part number
Fitting set		1	3363 0982 87

### Note

Remove the genuine fittings carrier side from the valve block before mounting the fitting set.

## Optional equipment

Description	Remark	Quantity	Part number
Cobra & Compactor Impact-Oil	1 x 1 l (0.22 gal) (0.26 US gal)	1	9234 0012 03
Cobra & Compactor Impact-Oil	20 x 1 l (0.22 gal) (0.26 US gal)	1	9234 0014 05
Adapter plate matching the carrier	Consult the Atlas Copco Customer Center/Dealer in your area.	1	-
Base plate with threaded inserts		1	3363 0997 97
Bolt kit		1	3363 0945 37
Base plate with through borings		1	3363 1006 95
Bolt kit		1	3363 0945 74
Allen key	19 mm for bolt kit	1	3360 2092 53
Backfill blade kit		1	3376 6981 08
<b>Rotation device</b>		1	1826 1016 44
Allen screw		8	-
Pair of locking rings		16	-
Rotor		1	-
Hexagonal nut		8	-
<b>Connection kit for rotation device</b>		1	3376 6980 37
Hydraulic hose		2	-
Fitting		2	-
Fitting		2	-
Fitting		2	-
Fitting		2	-

## Kits

### Label kit

No.	Description	Remark	Quantity	Part number
	Label kit		1	3376 6980 31

### Seal kit (Hydraulic motor)

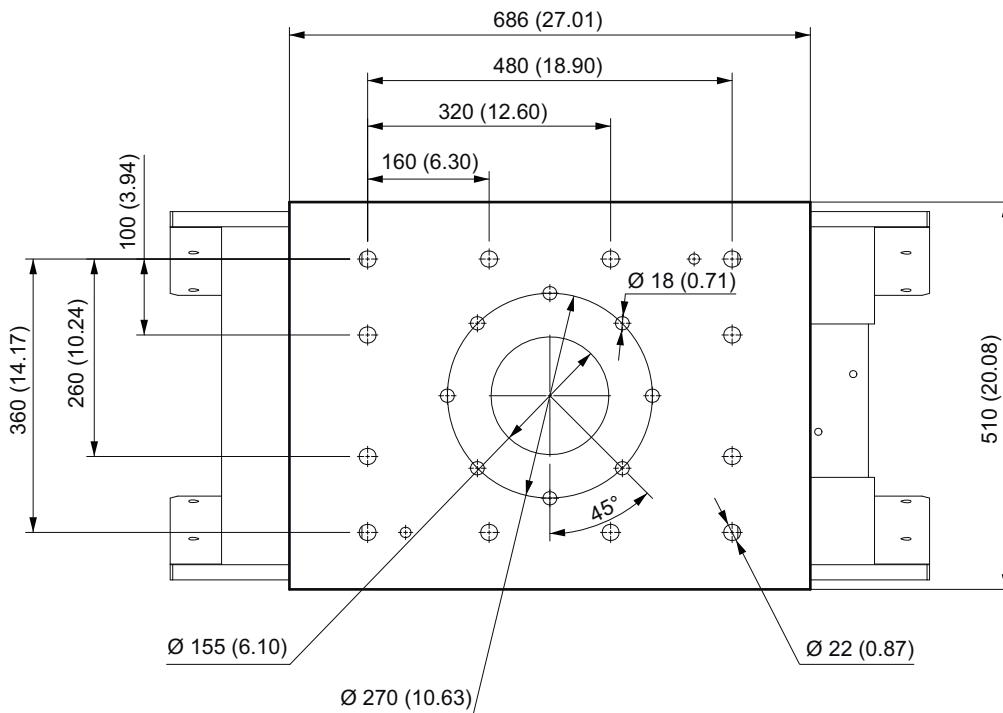
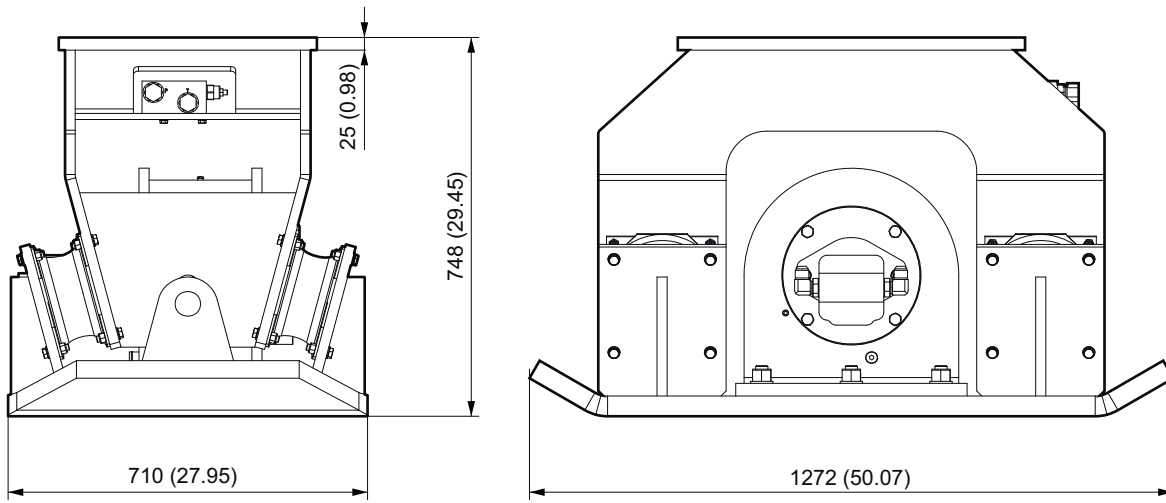
No.	Description	Remark	Quantity	Part number
	Seal kit (Hydraulic motor)		1	3376 6920 36

### Rubber isolator kit

No.	Description	Remark	Quantity	Part number
	Rubber isolator kit		1	3376 6920 32
17	Rubber isolator		4	3376 1007 30
18	Hexagon head bolt		32	3376 1001 70
19	Nut		32	3371 8167 02
20	Washer		32	3371 8167 05

# Dimensions

mm (inch)











Any unauthorized use or copying of the contents or any part thereof is prohibited.  
This applies in particular to trademarks, model denominations, part numbers, and  
drawings.

© 2013 Atlas Copco Construction Tools GmbH | No. 3390 7564 01 | 2013-05-23

**Atlas Copco**

[www.atlascopco.com](http://www.atlascopco.com)