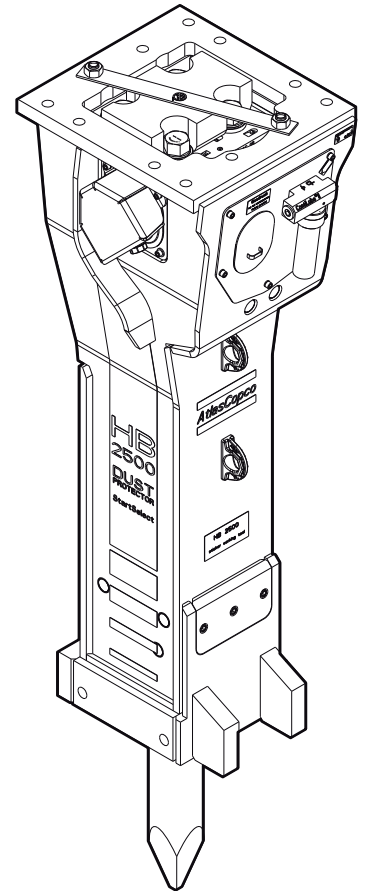


### Spare parts list Hydraulic breakers

	Valid from serial number
HB 2500	DEQ130314
HB 2500 DP	DEQ130314





# Contents

General note.....	5
Spare parts list.....	6
Hydraulic breaker HB 2500.....	6
Hydraulic breaker HB 2500 DustProtector.....	8
Percussion unit part 1: cylinder cover.....	10
Percussion unit part 2: cylinder.....	12
Percussion unit part 3: lower breaker part.....	14
Connecting kit for ConitLube® II.....	16
StartSelect - AutoStart or AutoStop.....	18
Optional parts.....	20
Tightening torques.....	21
Working tools.....	22
HB 2500.....	22
HB 2500 DustProtector.....	23
Accessories.....	24
Hydraulic hoses.....	24
Optional equipment.....	24
Kits.....	25
Label kit HB 2500.....	25
Label kit HB 2500 DustProtector.....	26
Seal kit.....	27
Plastic parts kit.....	27
Tensioning bolt kit.....	28
DustProtector kit.....	28
Noise protection kit.....	28
Lower breaker part kit (steel).....	28
Lower breaker part kit (bronze).....	29
Lower breaker part kit DustProtector (steel).....	29
Lower breaker part kit DustProtector (bronze).....	30
Fastening screw kit.....	30
Accumulator repair kit.....	30
Dimensions.....	31
Dimensions HB 2500.....	31
Dimensions HB 2500 DustProtector.....	32



## General note

This spare parts list applies to the following:

Part number	Description
3363 0926 91	Hydraulic breaker HB 2500
3363 0938 71	Hydraulic breaker HB 2500 DustProtector

Use only authorized parts. Any damage or malfunction caused by the use of unauthorized parts is not covered by Warranty or Product Liability. Any unauthorized use or copying of the contents or any part thereof is prohibited. This applies in particular to trademarks, model denominations, part numbers, and drawings.

### Instructions for use

This spare parts list contains no safety regulations and is merely intended to assist in the ordering of spare parts.

For information on operating, servicing, or repairing, the relevant Safety and operating instructions must be consulted at all costs.

Please observe the safety instructions listed in the relevant Safety and operating instructions!

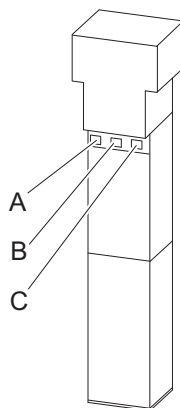
### Instructions of ordering

It is essential to indicate the serial number of the hydraulic attachment when ordering spare parts!

Please note the full identification number of your hydraulic attachment. This code can be found on the cylinder.

Determine the quantity of individual parts which are required and need to be ordered. The order must indicate the following details:

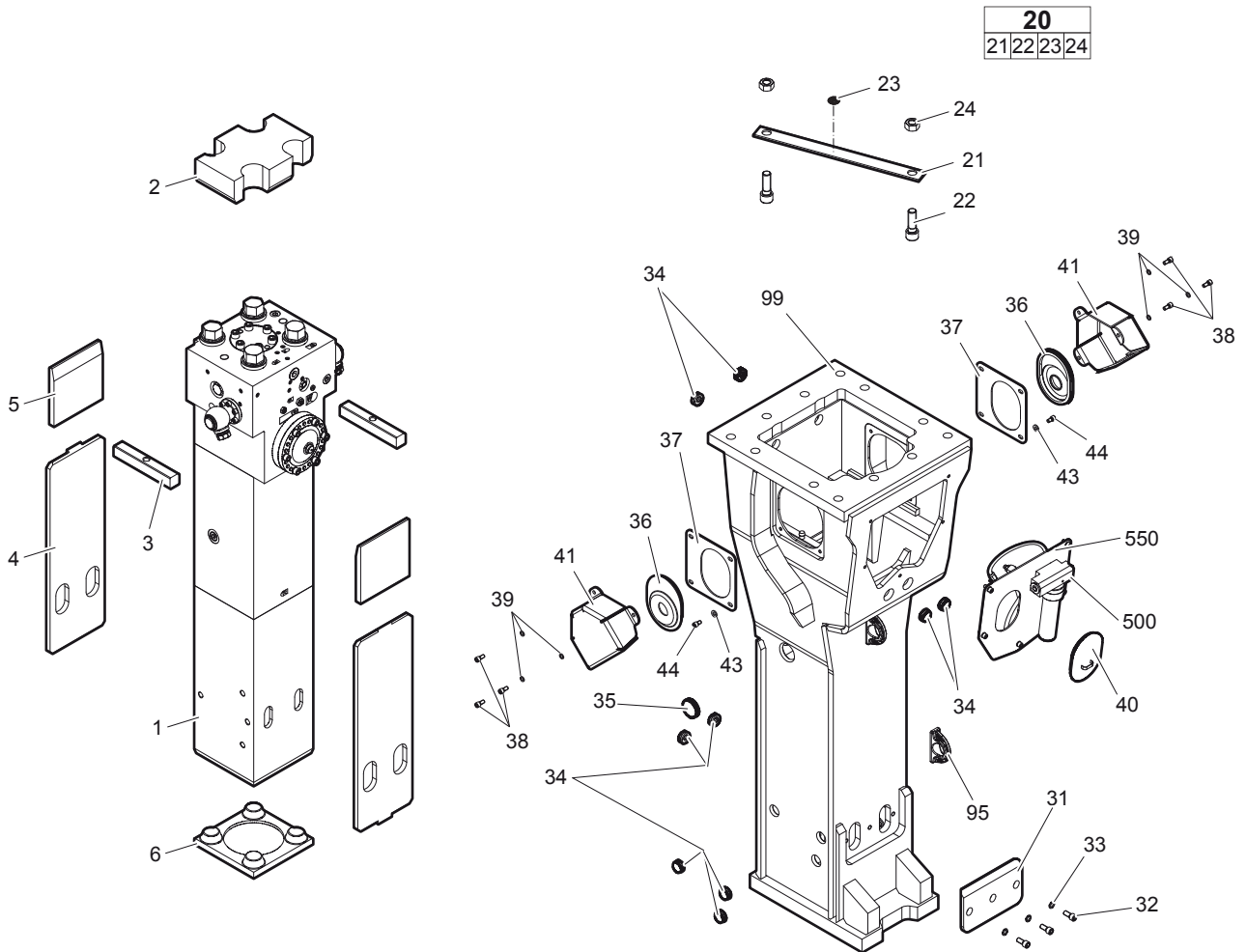
- full identification code of the hydraulic attachment
- required quantity
- part number
- description



- A. Cylinder number
- B. Type
- C. Serial number

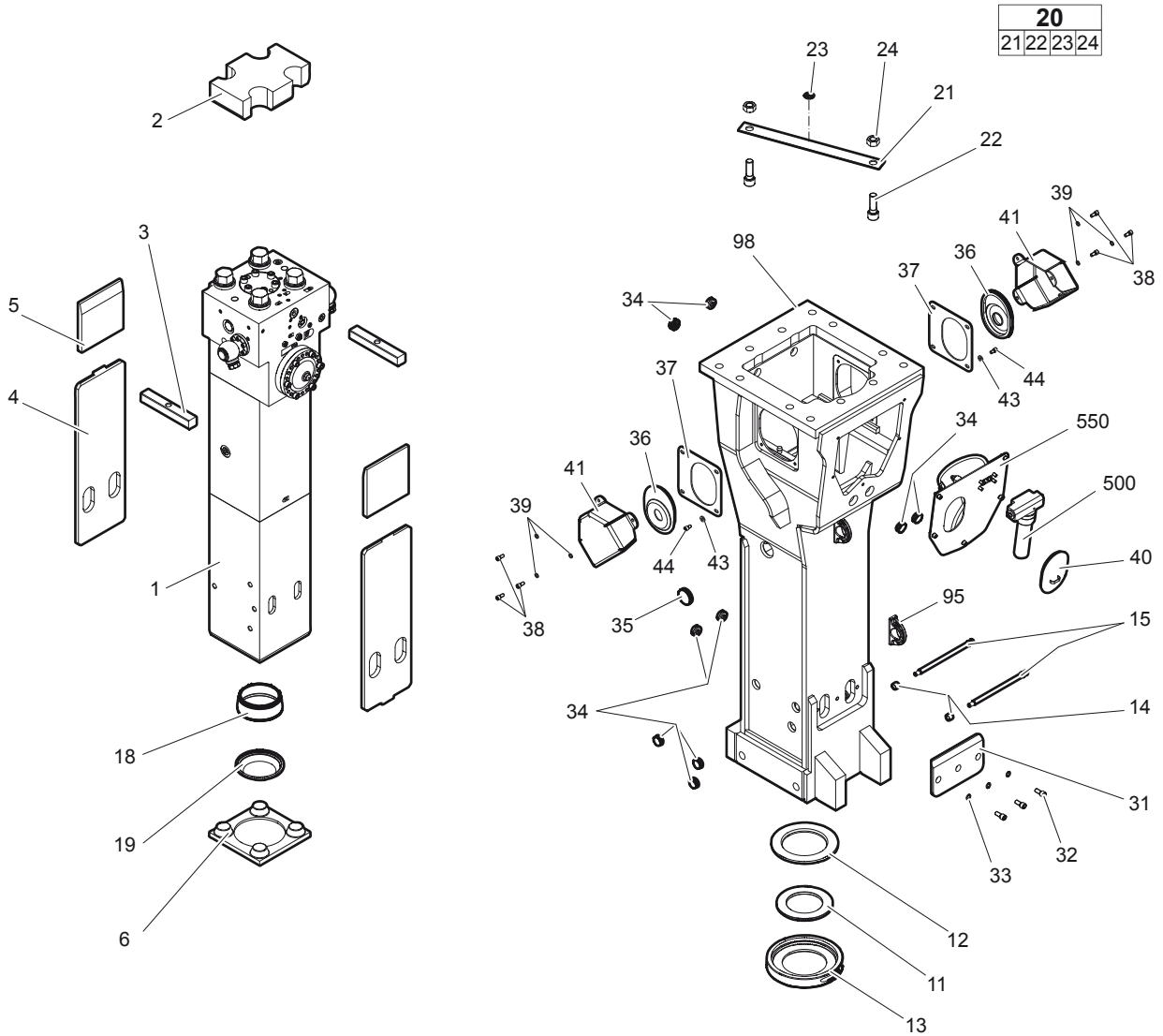
# Spare parts list

## Hydraulic breaker HB 2500



No.	Description	Remark	Quantity	Part number
1	Percussion unit	see separate chapter	1	-
2	Elastic pad		1	3363 0938 79
3	Shock absorber		2	3361 3569 25
4	Guide plate		2	3363 0884 53
5	Guide plate		2	3362 2640 51
6	Plate		1	3363 0938 77
<b>20(21-24)</b>	<b>Transport safety device complete</b>		1	3363 0833 43
21	Transport safety device		1	-
22	Allen screw		2	3360 0268 83
23	Label transport safety device		1	3363 0918 72
24	Nut		2	3360 1032 54
31	Plate		1	3363 0988 27
32	Allen screw		3	3362 3281 13
33	Pair of lock washers		3	3361 3337 03
34	Plug		12	3363 0860 15
35	Plug		1	3362 2678 93
36	Cover		2	3363 0311 81
37	Plate		2	3363 0988 30
38	Allen screw		6	3360 1037 50
39	Pair of lock washers		6	3361 8505 96
40	Cover		1	3363 0926 97
41	Swivel joint cover		2	3363 1113 26
43	Pair of lock washers		2	3363 1112 96
44	Allen screw		2	3362 3284 80
95	Lifting eye	professional welding process necessary	2	3363 1119 94
99	Breaker box		1	3363 0988 04
500	ContiLube® II	see separate <i>Safety and operating instructions</i>	1	3363 0671 23
550	Connecting kit ContiLube® II	see separate chapter	1	3363 0912 65

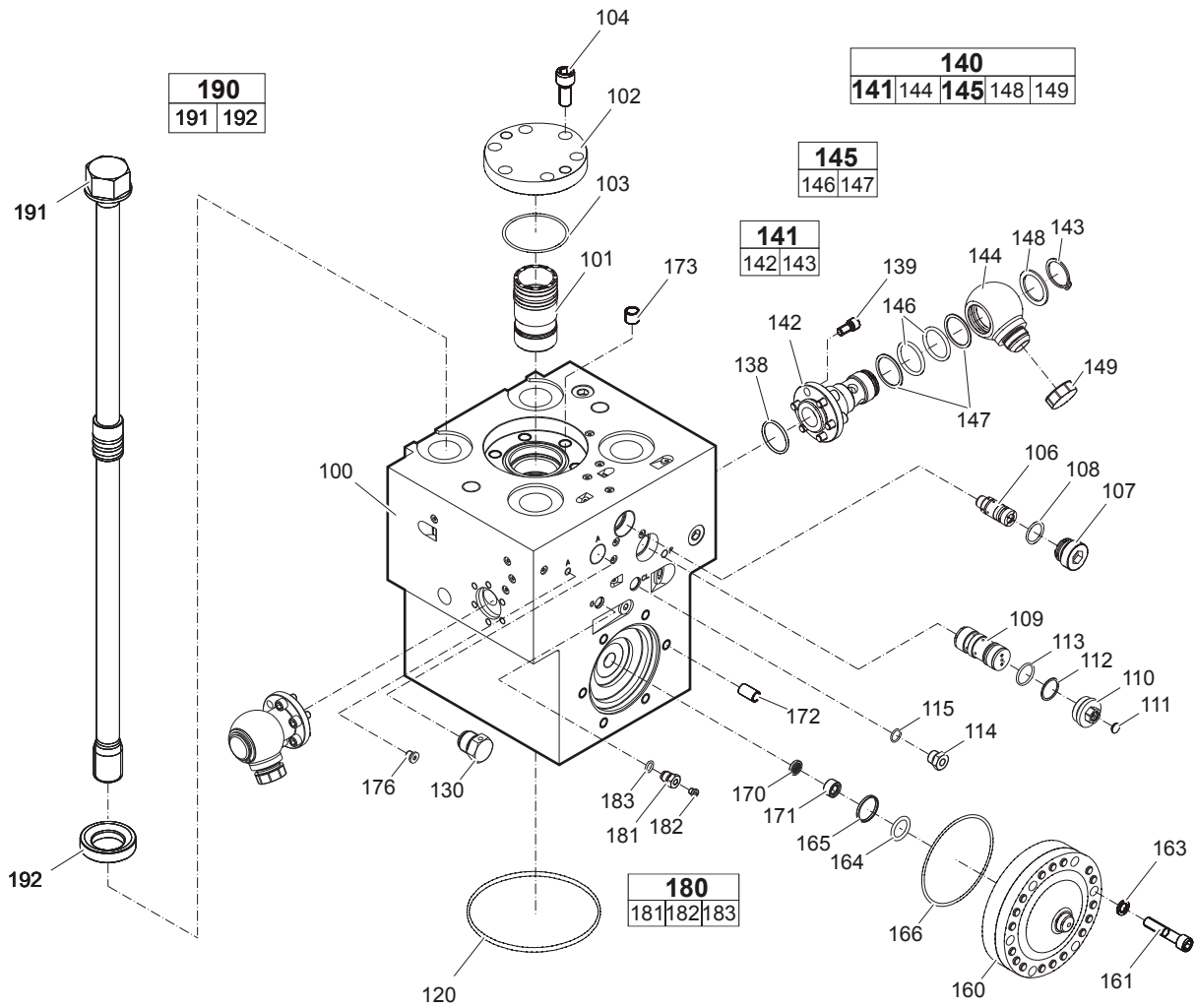
# Hydraulic breaker HB 2500 DustProtector





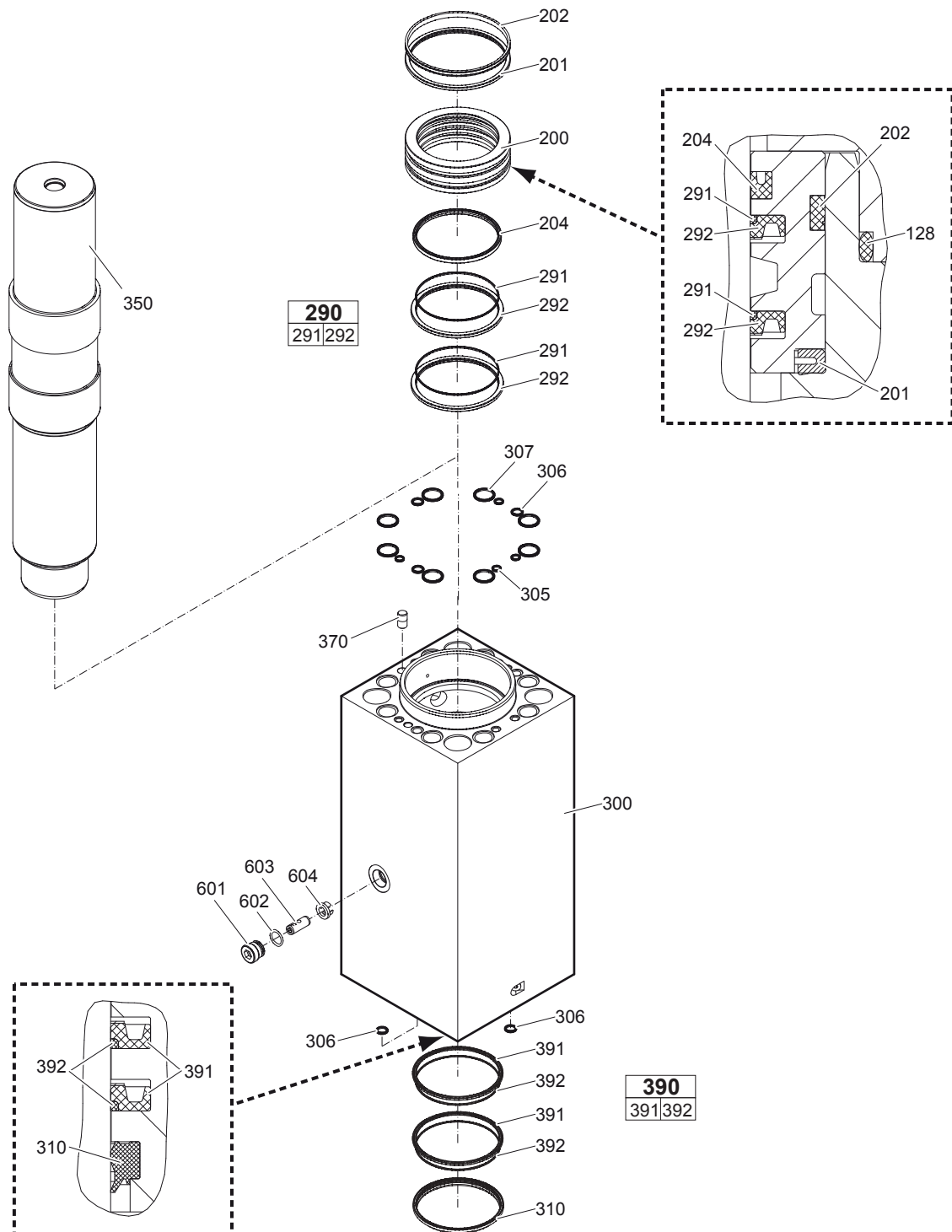
No.	Description	Remark	Quantity	Part number
1	Percussion unit	see separate chapter <b>Note:</b> When ordering a percussion unit for DustProtector version it is imperative to order additionally the base for wiper (no. 18) and the wiper (no. 19).	1	-
2	Elastic pad		1	3363 0938 79
3	Shock absorber		2	3361 3569 25
4	Guide plate		2	3363 0884 53
5	Guide plate		2	3362 2640 51
6	Plate		1	3363 0938 77
11	Floating ring	tribolid steel see chapter <i>Optional parts</i>	1	3363 0977 35
12	Counter ring		1	3363 0337 23
13	Guide ring		1	3363 0337 19
14	Locking bush		2	3361 8543 63
15	Bolt		2	3363 0706 43
18	Base for wiper		1	3363 0977 33
19	Wiper		1	3363 0977 41
<b>20(21-24)</b>	<b>Transport safety device complete</b>		1	3363 0833 43
21	Transport safety device		1	-
22	Allen screw		2	3360 0268 83
23	Label transport safety device		1	3363 0918 72
24	Nut		2	3360 1032 54
31	Plate		1	3363 0988 27
32	Allen screw		3	3362 3281 13
33	Pair of lock washers		3	3361 3337 03
34	Plug		12	3363 0860 15
35	Plug		1	3362 2678 93
36	Cover		2	3363 0311 81
37	Plate		2	3363 0988 30
38	Allen screw		6	3360 1037 50
39	Pair of lock washers		6	3361 8505 96
40	Cover		1	3363 0926 97
41	Swivel joint cover		2	3363 1113 26
43	Pair of lock washers		2	3363 1112 96
44	Allen screw		2	3362 3284 80
95	Lifting eye	professional welding process necessary	2	3363 1119 94
98	Breaker box		1	3363 0988 05
500	ContiLube® II	see separate <i>Safety and operating instructions</i>	1	3363 0671 23
550	Connecting kit for ContiLube® II	see separate chapter	1	3363 0912 65

# Percussion unit part 1: cylinder cover



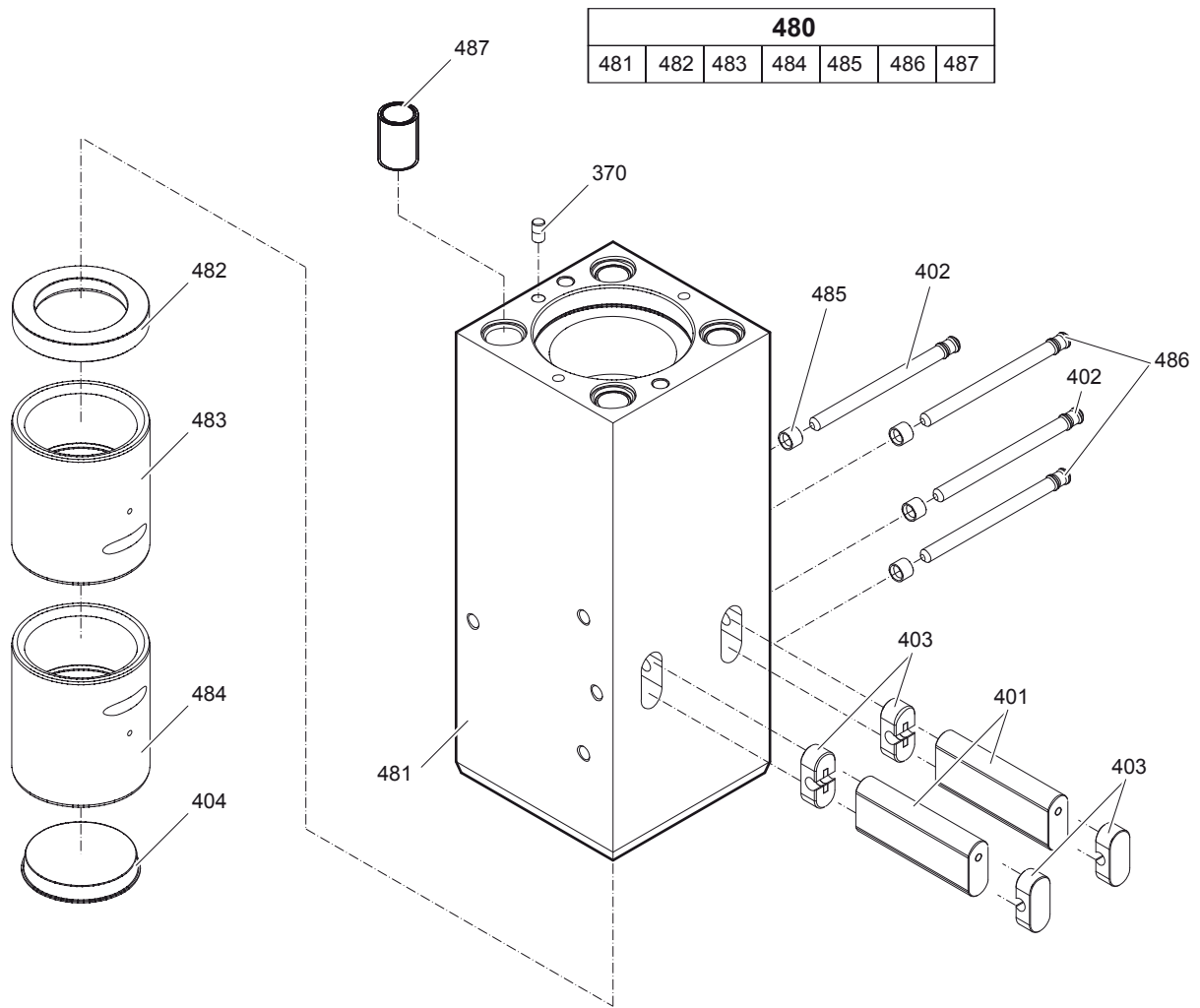
No.	Description	Remark	Quantity	Part number
100	Cylinder cover	with no. 170 - 176	1	3363 0946 01
101	Main control valve		1	3363 1092 19
102	Cover		1	3363 0977 17
103	O-ring		1	3360 3143 75
104	Allen screw		6	3360 1037 76
106	Frequency switching valve	AutoControl	1	3363 0354 53
107	Threaded plug		1	3363 0354 25
108	O-ring		1	3360 3143 70
109	Safety valve	PowerAdapt Only in exchange for the part to be replaced. Consult the Atlas Copco Customer Center/Dealer in your area.	1	3363 0852 70
110	Threaded plug		1	3363 0870 86
111	Plug		1	3363 0870 87
112	Back-up ring		1	3363 0870 85
113	O-ring		1	3363 1104 01
114	Connecting screw		1	3361 8546 57
115	O-ring		1	3360 4781 71
120	O-ring		1	3360 4780 79
130	Non-return valve		1	3361 8545 11
138	O-ring		2	3360 3143 73
139	Allen screw		12	3360 1037 50
<b>140(141,144,145,148-149)</b>	<b>Swivel joint complete</b>		2	3362 2699 99
<b>141(142-143)</b>	<b>Adapter complete</b>		1	3363 1034 71
142	Adapter		1	-
143	Snapping		1	3363 1031 33
144	Adapter		1	3361 3566 43
<b>145(146-147)</b>	<b>Seal kit</b>		1	3361 8504 22
146	O-ring		2	-
147	Back-up ring		2	-
148	Disk		1	3361 3566 45
149	Cap		1	3361 3534 89
160	HP-accumulator		1	3363 0695 85
161	Fastening screw		6	3363 0704 90
163	Pair of lock washer		6	3361 3337 03
164	O-ring		1	3361 0319 12
165	Back-up ring		1	3361 8505 29
166	O-ring		1	3361 0319 90
170	Strainer disk		1	3361 8441 13
171	Threaded plug		1	3361 8441 15
172	Threaded insert		6	3361 0319 89
173	Threaded insert		6	3361 0315 29
176	Threaded plug		1	3360 4784 39
<b>180(181-183)</b>	<b>Filling valve complete</b>		1	3363 0872 86
181	Filling valve		1	-
182	Threaded plug		1	3360 4784 26
183	O-ring		1	3360 1751 25
<b>190(191-192)</b>	<b>Tensioning bolt complete</b>		4	3363 0946 04
191	Tensioning bolt		1	3363 0977 13
192	Washer		1	3363 0936 51

# Percussion unit part 2: cylinder



No.	Description	Remark	Quantity	Part number
200	Seal bush		1	3363 0977 11
201	Ring		1	3363 0977 91
202	Seal		1	3363 0981 35
204	Seal		1	3363 0946 24
<b>290(291-292)</b>	<b>Seal kit</b>		2	3363 0946 41
291	Back-up ring		1	-
292	Seal		1	-
300	Cylinder	with no. 601-603	1	3363 0946 02
305	Seal		4	3362 2675 83
306	Seal		5	3362 2675 85
307	Seal		8	3362 2672 81
310	Wiper		1	3363 0946 25
350	Percussion piston		1	3363 0946 00
370	Lock pin		1	3362 2681 85
<b>390(391-392)</b>	<b>Seal kit</b>		2	3363 0946 40
391	Seal		1	-
392	Back-up ring		1	-
601	Plug		1	3363 0825 93
602	O-ring		1	3363 0832 45
603	Valve	StartSelect	1	3363 0977 55
604	Sleeve		1	3363 0977 31

# Percussion unit part 3: lower breaker part

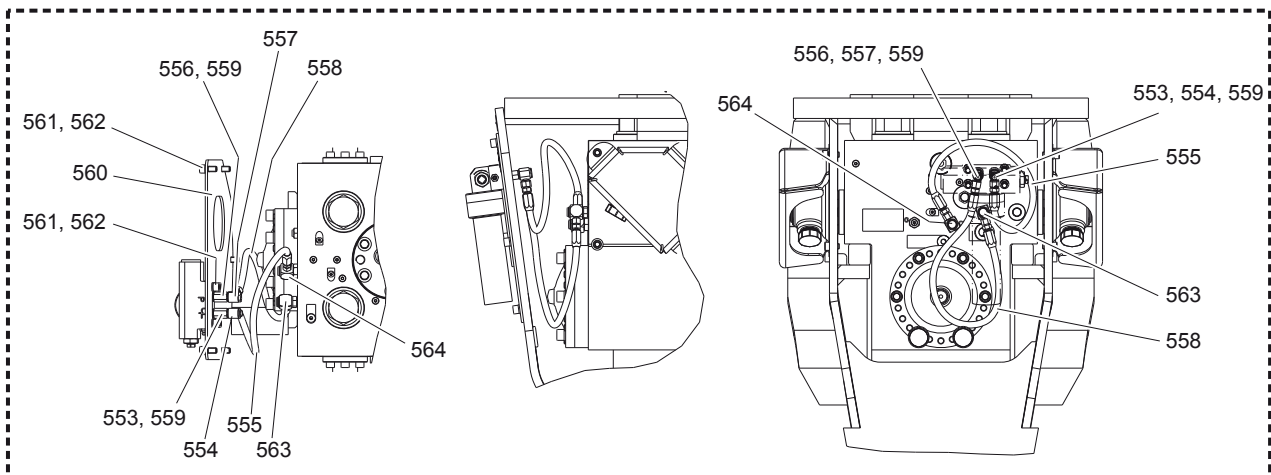
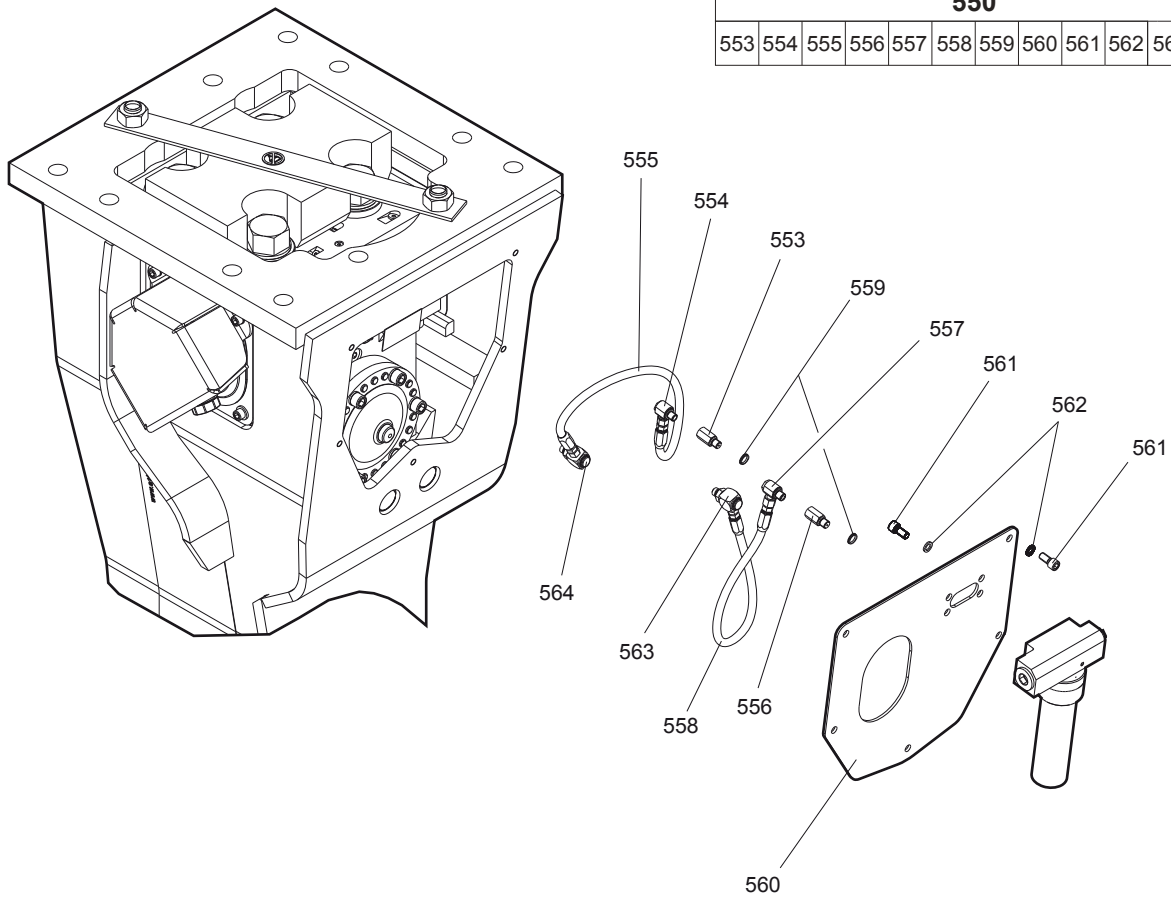


480						
481	482	483	484	485	486	487

No.	Description	Remark	Quantity	Part number
370	Lock pin		1	3362 2681 85
401	Retainer bar		2	3360 9819 27
402	Bolt		2	3361 8543 47
403	Plug		4	3362 2629 25
404	Protective cap		1	3363 0854 71
<b>480(481-487)</b>	<b>Lower breaker part complete</b>	<b>Note:</b> When ordering a lower breaker part for DustProtector version it is imperative to order additionally the base for wiper (no. 18) and the wiper (no. 19).	1	3363 0946 03
481	Lower breaker part		1	-
482	Impact ring		1	3363 0977 21
483	Wear bush		1	3363 0977 23
484	Wear bush	steel bronze see chapter <i>Optional parts</i>	1	3363 0977 27
485	Locking bush		4	3361 8543 63
486	Bolt		2	3361 8543 47
487	Threaded insert		4	3363 0854 99

# Connecting kit for ConitLube® II

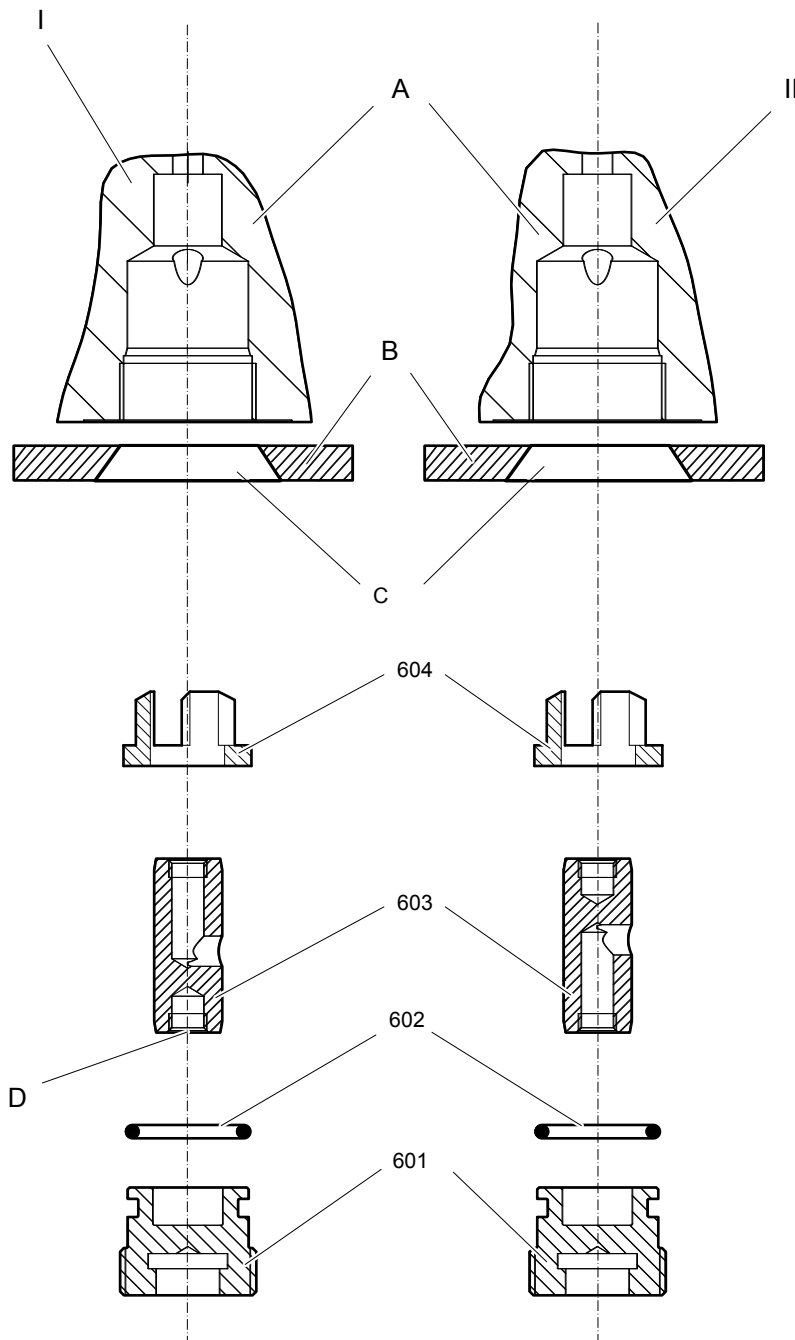
550											
553	554	555	556	557	558	559	560	561	562	563	564





No.	Description	Remark	Quantity	Part number
<b>550(553-564)</b>	<b>Connecting kit</b>		1	3363 0912 65
553	Adapter	secure with Loctite 243	1	3363 0668 87
554	Fitting	secure with Loctite 243	1	3363 0662 33
555	Hydraulic hose	Grease line secure with Loctite 243 Route the hydraulic hoses as shown on the drawing. It must be ensured that the hydraulic hoses can move freely and are not in contact at any point.	1	3363 0875 83
556	Adapter	secure with Loctite 243	1	3363 0687 45
557	Fitting	secure with Loctite 243	1	3363 0662 34
558	Hydraulic hose	Oil line secure with Loctite 243 Route the hydraulic hoses as shown on the drawing. It must be ensured that the hydraulic hoses can move freely and are not in contact at any point.	1	3363 0838 77
559	Seal		2	3363 0669 51
560	Plate		1	3363 0988 22
561	Allen screw	secure all 4 allen screws with Loctite 243 screwed in the ContiLube® II	9	3360 1037 50
562	Pair of lock washers		9	3361 8505 96
563	Fitting	secure with Loctite 243	1	3363 0871 85
564	Fitting	secure with Loctite 243	1	3363 0871 86

# StartSelect - AutoStart or AutoStop



No.	Description	Remark	Quantity	Part number
601	Plug		1	3363 0825 93
602	O-ring		1	3363 0832 45
603	Valve	StartSelect	1	3363 0977 55
604	Sleeve		1	3363 0977 31

I = AutoStop setting

II = AutoStart setting (standard setting on delivery)

A. Port bore in cylinder

B. Wall of breaker box

C. Plug of breaker box

D. M 10 thread (both ends) for mounting

The position of the StartSelect unit is shown on the percussion unit illustrations.

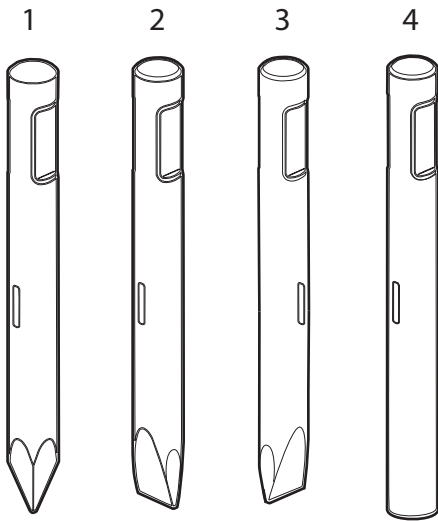
## Optional parts

No.	Description	Remark	Quantity	Part number
11	Floating ring	steel	1	3363 0977 37
484	Wear bush	bronze	1	3363 0977 25

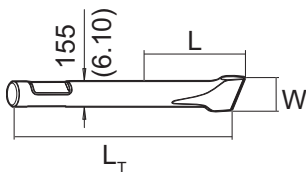
## Tightening torques

No.	Description	Tightening torque	Remark
38	Allen screw	80 Nm	Allen key size 10
44	Allen screw	80 Nm	Allen key size 10
104	Allen screw	380 Nm	Allen key size 17
107	Threaded plug	300 Nm	Allen key size 22
110	Threaded plug	300 Nm	Socket spanner size 24
130	Non-return valve	200 Nm	Socket spanner size 41
138	Allen screw	80 Nm	Allen key size 10
161	Fastening screw	350 Nm	Allen key size 14
181	Filling valve	130 Nm	Socket spanner size 22
182	Threaded plug	20 Nm	Allen key size 5
191	Tensioning bolt		Torque wrench or Power wrench size 65 <ol style="list-style-type: none"> <li>1. Pretighten the tensioning bolts to 500 Nm, proceeding in a crosswise fashion,</li> <li>2. then tighten each tensioning bolt through 120° (2 sides of hexagonal head) in a crosswise fashion,</li> <li>3. finally tighten each tensioning bolt again through 150° (2 1/2 sides of hexagonal head) in a crosswise fashion.</li> </ol>
553	Adapter	45 Nm	Open-ended wrench size 19
554	Fitting	45 Nm	Open-ended wrench size 17, 19, 22
555	Hydraulic hose grease line	16 Nm	Open-ended wrench size 17
556	Adapter	55 Nm	Open-ended wrench size 19
557	Fitting	55 Nm	Open-ended wrench size 19, 22
558	Hydraulic hose oil line	42 Nm	Open-ended wrench size 19
561	Allen screw	85 Nm	Allen key size 10
563	Fitting	60 Nm	Open-ended wrench size 19, 22, 27
564	Fitting	50 Nm	Open-ended wrench size 17, 22, 27
601	Plug	200 Nm	Allen key size 17

## Working tools



## HB 2500



### Metric

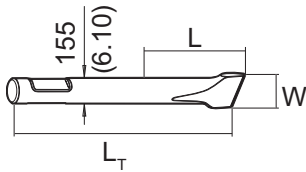
No.	Description	Remark	W (mm)	L (mm)	L <sub>T</sub> (mm)	Wt (kg)	Part number
1	Moil point	ClassicLine		480	1150	147.0	3363 0946 13
1	Moil point	ClassicLine		680	1350	177.0	3363 0946 14
1	Moil point	SilverLine		680	1350	177.0	3363 0949 19
2	Chisel (cross)	ClassicLine	155	480	1150	154.0	3363 0946 16
2	Chisel (cross)	ClassicLine	155	680	1350	184.0	3363 0946 17
2	Chisel (cross)	SilverLine	155	680	1350	184.0	3363 0949 18
3	Chisel (parallel)	ClassicLine	155	480	1150	154.0	3363 0946 19
3	Chisel (parallel)	ClassicLine	155	680	1350	184.0	3363 0946 20
4	Blunt tool	ClassicLine		480	1150	166.0	3363 0946 11
4	Blunt tool	ClassicLine		680	1350	196.0	3363 0977 43
4	Blunt tool	SilverLine		680	1350	196.0	3363 0977 63

### Imperial

No.	Description	Remark	W (in.)	L (in.)	L <sub>T</sub> (in.)	Wt (lb)	Part number
1	Moil point	ClassicLine		18.90	45.28	324.5	3363 0946 13
1	Moil point	ClassicLine		26.77	53.15	389.8	3363 0946 14
1	Moil point	SilverLine		26.77	53.15	389.8	3363 0949 19
2	Chisel (cross)	ClassicLine	6.10	18.90	45.28	339.7	3363 0946 16
2	Chisel (cross)	ClassicLine	6.10	26.77	53.15	405.0	3363 0946 17
2	Chisel (cross)	SilverLine	6.10	26.77	53.15	405.0	3363 0949 18
3	Chisel (parallel)	ClassicLine	6.10	18.90	45.28	339.7	3363 0946 19

No.	Description	Remark	W (in.)	L (in.)	L <sub>T</sub> (in.)	Wt (lb)	Part number
3	Chisel (parallel)	ClassicLine	6.10	26.77	53.15	405.0	3363 0946 20
4	Blunt tool	ClassicLine		18.90	45.28	366.0	3363 0946 11
4	Blunt tool	ClassicLine		26.77	53.15	431.3	3363 0977 43
4	Blunt tool	SilverLine		26.77	53.15	431.3	3363 0977 63

## HB 2500 DustProtector



### Metric

No.	Description	Remark	W (mm)	L (mm)	L <sub>T</sub> (mm)	Wt (kg)	Part number
1	Moil point	ClassicLine		435	1150	147.0	3363 0946 13
1	Moil point	ClassicLine		635	1350	177.0	3363 0946 14
1	Moil point	SilverLine		635	1350	177.0	3363 0949 19
2	Chisel (cross)	ClassicLine	155	435	1150	154.0	3363 0946 16
2	Chisel (cross)	ClassicLine	155	635	1350	184.0	3363 0946 17
2	Chisel (cross)	SilverLine	155	635	1350	184.0	3363 0949 18
3	Chisel (parallel)	ClassicLine	155	435	1150	154.0	3363 0946 19
3	Chisel (parallel)	ClassicLine	155	635	1350	184.0	3363 0946 20
4	Blunt tool	ClassicLine		435	1150	166.0	3363 0946 11
4	Blunt tool	ClassicLine		635	1350	196.0	3363 0977 43
4	Blunt tool	SilverLine		635	1350	196.0	3363 0977 63

### Imperial

No.	Description	Remark	W (in.)	L (in.)	L <sub>T</sub> (in.)	Wt (lb)	Part number
1	Moil point	ClassicLine		17.13	45.28	324.5	3363 0946 13
1	Moil point	ClassicLine		25.00	53.15	389.8	3363 0946 14
1	Moil point	SilverLine		25.00	53.15	389.8	3363 0949 19
2	Chisel (cross)	ClassicLine	6.10	17.13	45.28	339.7	3363 0946 16
2	Chisel (cross)	ClassicLine	6.10	25.00	53.15	405.0	3363 0946 17
2	Chisel (cross)	SilverLine	6.10	25.00	53.15	405.0	3363 0949 18
3	Chisel (parallel)	ClassicLine	6.10	17.13	45.28	339.7	3363 0946 19
3	Chisel (parallel)	ClassicLine	6.10	25.00	53.15	405.0	3363 0946 20
4	Blunt tool	ClassicLine		17.13	45.28	366.0	3363 0946 11
4	Blunt tool	ClassicLine		25.00	53.15	431.3	3363 0977 43
4	Blunt tool	SilverLine		25.00	53.15	431.3	3363 0977 63

## Accessories

### Hydraulic hoses

Description	Remark	Quantity	Part number
Hose	I.D. 25 (1"), both ends JIC 1 5/8", length 2300 mm (91 in.)	2	3363 0311 90
Hose	I.D. 25 (1"), both ends JIC 1 5/8", length 2800 mm (110 in.)	2	3363 0311 91

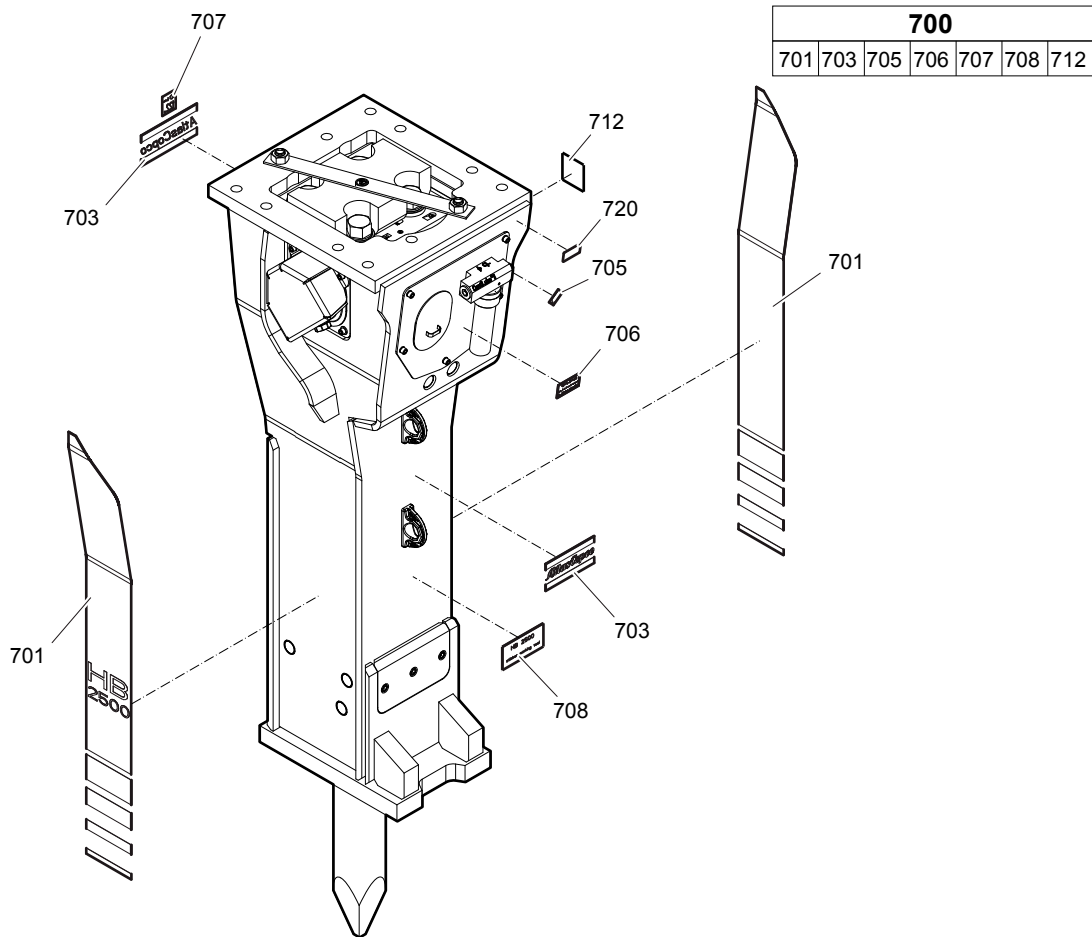
### Optional equipment

Description	Remark	Quantity	Part number
Chisel paste cartridge for ContiLube® II	12 x 500 g (1.1 lbs)	1	3363 0912 00
Grease gun for cartridge ContiLube® II		1	3363 0345 67
Grease nipple		1	3360 4337 74
Service box no. I with nitrogen cylinder	2 l 0.43 gal (0.53 US gal)	1	3363 0898 44
Service box no. III without nitrogen cylinder		1	3363 0949 40
Test gauge lower wear bush		1	3363 0992 05
Inside callipers upper wear bush		1	3363 0949 52
Adapter plate matching the carrier Consult the Atlas Copco Customer Center/Dealer in your area.		1	-
Base plate with threaded inserts		1	3363 0997 95
Bolt kit		1	3363 0873 03
Base plate through borings		1	3363 1006 99
Bolt kit		1	3363 0945 75
Allen key	22 mm for bolt kit	1	3360 2094 45
Adapter kit for underwater applications		1	3363 0905 31
Piston retainer		1	3363 0977 61



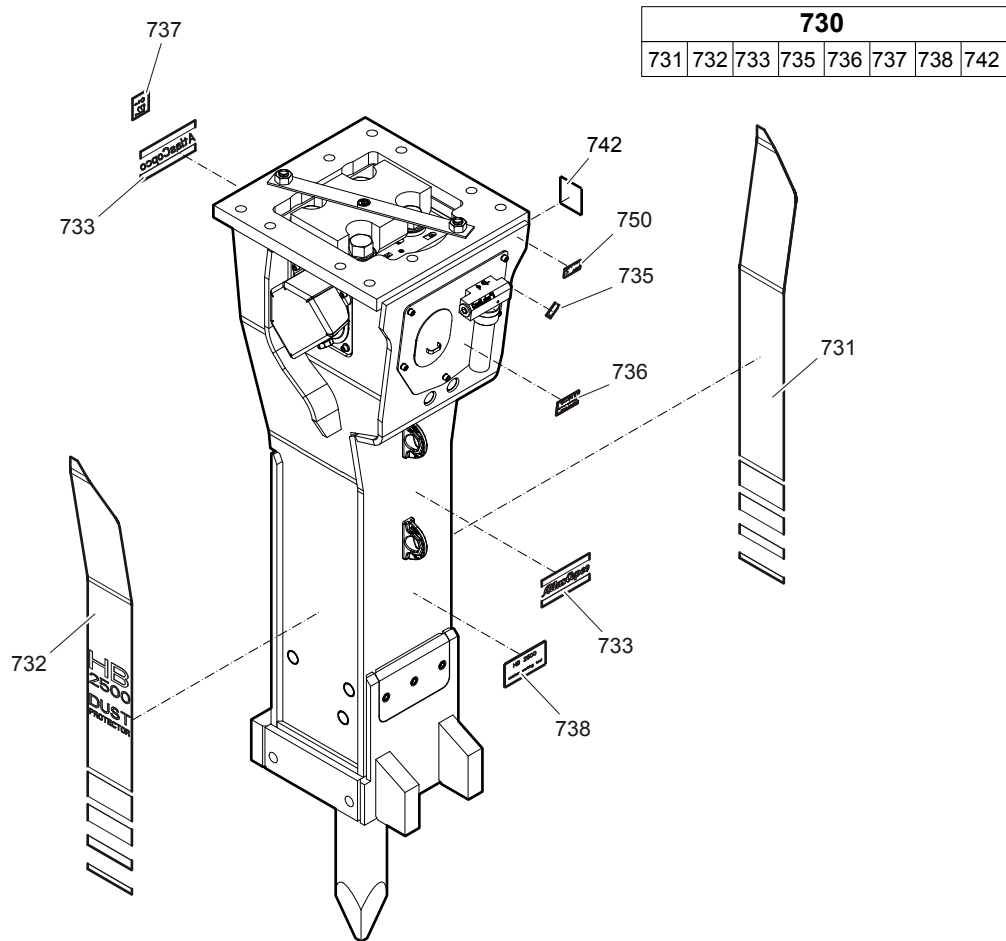
# Kits

## Label kit HB 2500



No.	Description	Remark	Quantity	Part number
<b>700(701-712)</b>	<b>Label kit HB 2500</b>		1	3363 0943 99
701	Product label	"HB 2500"	2	-
703	Product label	"Atlas Copco"	2	-
705	Lubricating symbol		1	-
706	Label gas pressure		2	-
707	Sound power label		1	-
708	Label working tools		1	-
712	Label AEM		1	-
720	Name plate	Consult the Atlas Copco Customer Center/Dealer in your area.	1	-

## Label kit HB 2500 DustProtector



730							
731	732	733	735	736	737	738	742

No.	Description	Remark	Quantity	Part number
<b>730(731-742)</b>	<b>Label kit HB 2500 DP</b>		1	3363 0980 01
731	Product label	"HB 2500 DP"	1	-
732	Product label	"HB 2500 DP"	1	-
733	Product label	"Atlas Copco"	2	-
735	Lubricating symbol		1	-
736	Label gas pressure		2	-
737	Sound power label		1	-
738	Label working tools		1	-
742	Label AEM		1	-
750	Name plate	Consult the Atlas Copco Customer Center/Dealer in your area.	1	-

## Seal kit

No.	Description	Remark	Quantity	Part number
	<b>Seal kit</b>		1	3363 0946 05
103	O-ring		1	3360 3143 75
108	O-ring		1	3360 3143 70
112	Back-up ring		1	3363 0870 85
113	O-ring		1	3363 1104 01
115	O-ring		1	3360 4781 71
120	O-ring		1	3360 4780 79
138	O-ring		2	3360 3143 73
164	O-ring		1	3361 0319 12
165	Back-up ring		1	3361 8505 29
166	O-ring		1	3361 0319 90
145	Seal kit		2	3361 8504 22
146	O-ring		2	3361 8462 82
147	Back-up ring		2	3361 8462 81
182	Threaded plug		1	3360 4784 26
183	O-ring		1	3360 1751 25
202	Seal		1	3363 0981 35
204	Seal		1	3363 0946 24
290	Seal kit		2	3363 0946 42
291	Back-up ring		1	3363 0977 49
292	Seal		1	3363 0977 47
305	Seal		4	3362 2675 83
306	Seal		5	3362 2675 85
307	Seal		8	3362 2672 81
310	Wiper		1	3363 0946 25
390	Seal kit		1	3363 0946 43
391	Seal		1	3363 0977 51
392	Back-up ring		1	3363 0977 53
602	O-ring		1	3363 0832 45

## Plastic parts kit

No.	Description	Remark	Quantity	Part number
	<b>Plastic parts kit</b>		1	3363 0914 67
2	Elastic pad		1	3363 0938 79
3	Shock absorber		2	3361 3569 25
4	Guide plate		2	3363 0884 53
5	Guide plate		2	3362 2640 51
6	Plate		1	3363 0938 77

## Tensioning bolt kit

No.	Description	Remark	Quantity	Part number
	<b>Tensioning bolt kit</b>		1	3363 0980 85
191	Tensioning bolt		2	3363 0977 13
192	Washer		2	3363 0936 51
487	Threaded insert		2	3363 0854 99
	Anti-Seize 120 g		1	3363 0943 00

## DustProtector kit

No.	Description	Remark	Quantity	Part number
	<b>DustProtector kit</b>		1	3363 0980 86
11	Floating ring		1	3363 0977 35
12	Counter ring		1	3363 0337 23
13	Guide ring		1	3363 0337 19
14	Locking bush		2	3361 8543 63
15	Bolt		2	3363 0706 43

## Noise protection kit

No.	Description	Remark	Quantity	Part number
	<b>Noise protection kit</b>		1	3363 0980 87
34	Plug		12	3363 0860 15
35	Plug		1	3362 2678 93
36	Cover		2	3363 0311 81
40	Cover		1	3363 0926 97

## Lower breaker part kit (steel)

No.	Description	Remark	Quantity	Part number
	<b>Lower breaker part kit</b>	HB 2500 with lower wear bush steel	1	3363 1034 04
401	Retainer bar		2	3360 9819 27
402	Bolt		2	3361 8543 47
403	Plug		4	3362 2629 25
482	Impact ring		1	3363 0977 21
483	Wear bush		1	3363 0977 23
484	Wear bush	steel	1	3363 0977 27
485	Locking bush		4	3361 8543 63
486	Bolt		2	3361 8543 47
	Chisel paste		1	3315 0381 00
	Test gauge		1	3363 0992 05

## Lower breaker part kit (bronze)

No.	Description	Remark	Quantity	Part number
	<b>Lower breaker part kit</b>	HB 2500 with lower wear bush bronze	1	3363 0943 95
401	Retainer bar		2	3360 9819 27
402	Bolt		2	3361 8543 47
403	Plug		4	3362 2629 25
482	Impact ring		1	3363 0977 21
483	Wear bush		1	3363 0977 23
484	Wear bush	bronze	1	3363 0977 25
485	Locking bush		4	3361 8543 63
486	Bolt		2	3361 8543 47
	Chisel paste		1	3315 0381 00
	Test gauge		1	3363 0992 05

## Lower breaker part kit DustProtector (steel)

No.	Description	Remark	Quantity	Part number
	<b>Lower breaker part kit</b>	HB 2500 DustProtector with lower wear bush steel	1	3363 1034 05
18	Base for wiper		1	3363 0977 33
19	Wiper		1	3363 0977 41
401	Retainer bar		2	3360 9819 27
402	Bolt		2	3361 8543 47
403	Plug		4	3362 2629 25
482	Impact ring		1	3363 0977 21
483	Wear bush		1	3363 0977 23
484	Wear bush	steel	1	3363 0977 27
485	Locking bush		4	3361 8543 63
486	Bolt		2	3361 8543 47
	Chisel paste		1	3315 0381 00
	Test gauge		1	3363 0992 05

## Lower breaker part kit DustProtector (bronze)

No.	Description	Remark	Quantity	Part number
	<b>Lower breaker part kit</b>	HB 2500 DustProtector with lower wear bush bronze	1	3363 0943 96
18	Base for wiper		1	3363 0977 33
19	Wiper		1	3363 0977 41
401	Retainer bar		2	3360 9819 27
402	Bolt		2	3361 8543 47
403	Plug		4	3362 2629 25
482	Impact ring		1	3363 0977 21
483	Wear bush		1	3363 0977 23
484	Wear bush	bronze	1	3363 0977 25
485	Locking bush		4	3361 8543 63
486	Bolt		2	3361 8543 47
	Chisel paste		1	3315 0381 00
	Test gauge		1	3363 0992 05

## Fastening screw kit

No.	Description	Remark	Quantity	Part number
	<b>Fastening screw kit</b>		1	3363 0980 88
161	Fastening screw		6	3363 0704 90
163	Washer		6	3361 3337 03
172	Threaded insert		6	3361 0319 89

## Accumulator repair kit

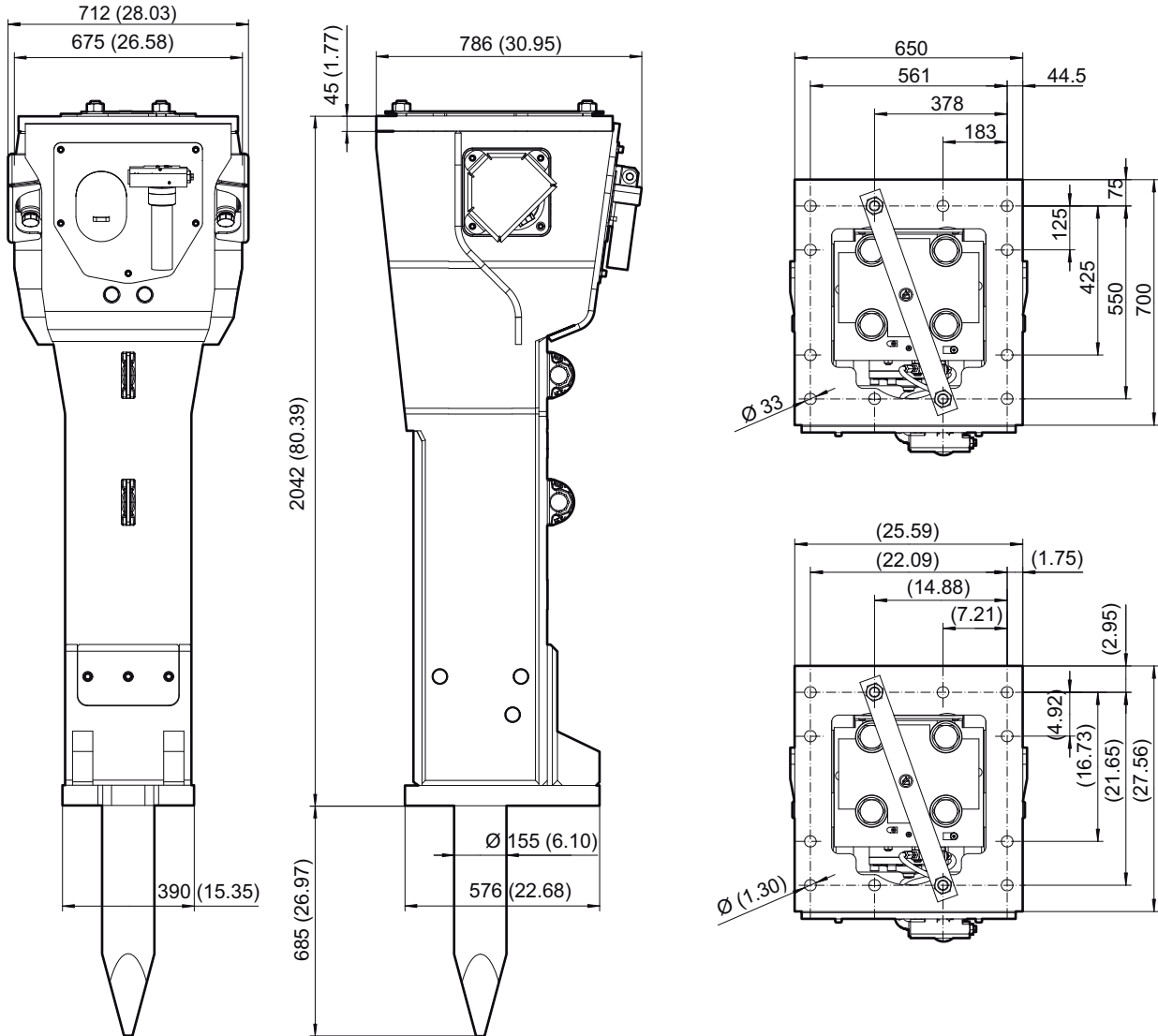
Accumulators are pressure containers in the context of the European Pressure Equipment Directive 97/23/EC. You have to observe all safety instructions comply with the laws and all national/regional regulations of your country if you repair accumulators.

No.	Description	Remark	Quantity	Part number
	<b>Accumulator repair kit</b>		1	3363 0898 49
	Diaphragm		1	3362 2616 47
	Filling screw		1	3360 3322 59
	O-ring		1	3360 3144 60
	Protective cap		1	3361 3350 25
	O-ring		1	3361 0319 12
	Back-up ring		1	3361 8505 29

# Dimensions

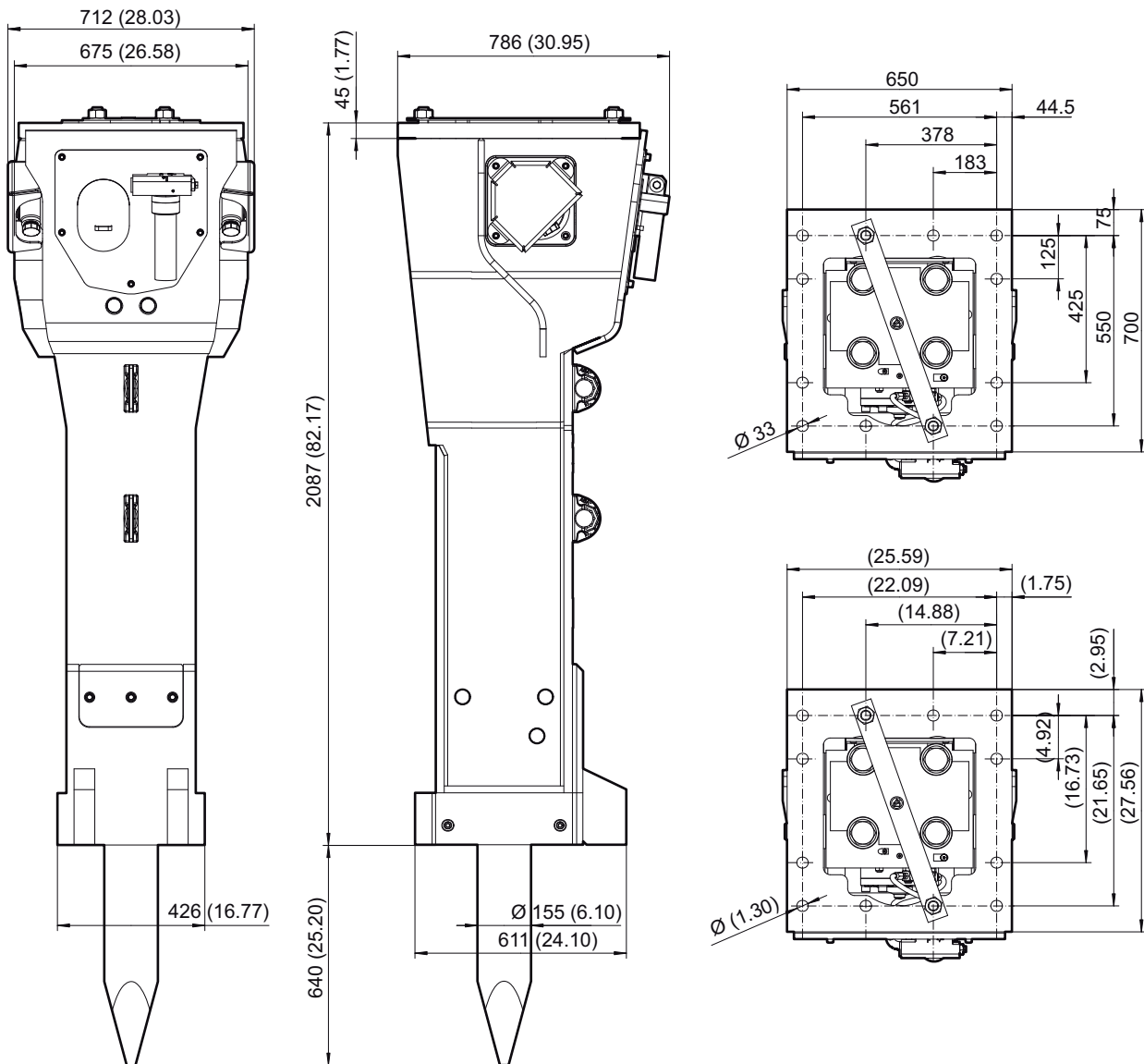
## Dimensions HB 2500

mm (inch)



# Dimensions HB 2500 DustProtector

mm (inch)













Any unauthorized use or copying of the contents or any part thereof is prohibited.  
This applies in particular to trademarks, model denominations, part numbers, and drawings.

© 2013 Atlas Copco Construction Tools GmbH | No. 3390 7191 01 | 2013-02-27

[www.atlascopco.com](http://www.atlascopco.com)