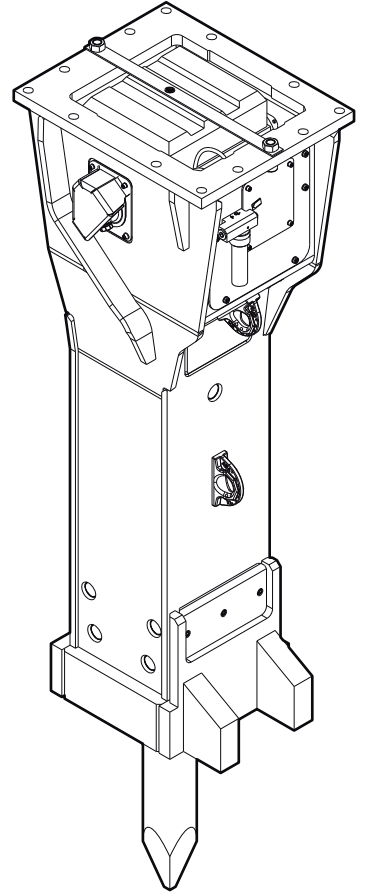


Spare parts list Hydraulic breakers

	Valid from serial number
HB 7000	270
HB 7000 DP	270



Contents

General note.....	5
Spare parts list.....	6
Hydraulic breaker HB 7000.....	6
Hydraulic breaker HB 7000 DustProtector.....	8
Percussion unit part 1: cylinder cover.....	10
Percussion unit part 2: cylinder.....	14
Percussion unit part 3: lower breaker part.....	16
Connecting kit for ContiLube® II.....	18
AutoStop System - AutoStart or AutoStop.....	20
Optional parts.....	22
Tightening torques.....	23
Working tools.....	24
HB 7000.....	24
HB 7000 DustProtector.....	25
Accessories.....	26
Hydraulic hoses.....	26
Optional equipment.....	26
Kits.....	27
Label kit HB 7000.....	27
Label kit HB 7000 DustProtector.....	28
Plastic parts kit.....	29
Seal kit.....	29
Seal kit for swivel joint (ContiLube® II).....	30
Tensioning bolt kit.....	30
DustProtector kit.....	30
Noise protection kit.....	30
Lower breaker part kit (steel).....	31
Lower breaker part kit (bronze).....	31
Lower breaker part kit DustProtector (steel).....	32
Lower breaker part kit DustProtector (bronze).....	32
Fastening screw kit.....	32
Accumulator repair kit.....	33
Dimensions.....	34
Dimensions HB 7000.....	34
Dimensions HB 7000 DustProtector.....	35

General note

This spare parts list applies to the following:

Part number	Description
3363 0904 81	Hydraulic breaker HB 7000
3363 0904 83	Hydraulic breaker HB 7000 DustProtector

Use only authorized parts. Any damage or malfunction caused by the use of unauthorized parts is not covered by Warranty or Product Liability. Any unauthorized use or copying of the contents or any part thereof is prohibited. This applies in particular to trademarks, model denominations, part numbers, and drawings.

Instructions for use

This spare parts list contains no safety regulations and is merely intended to assist in the ordering of spare parts.

For information on operating, servicing, or repairing, the relevant Safety and operating instructions must be consulted at all costs.

Please observe the safety instructions listed in the relevant Safety and operating instructions!

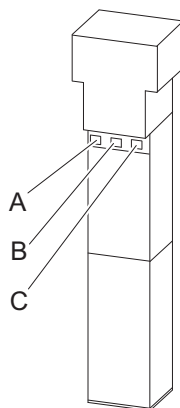
Instructions of ordering

It is essential to indicate the serial number of the hydraulic attachment when ordering spare parts!

Please note the full identification number of your hydraulic attachment. This code can be found on the cylinder.

Determine the quantity of individual parts which are required and need to be ordered. The order must indicate the following details:

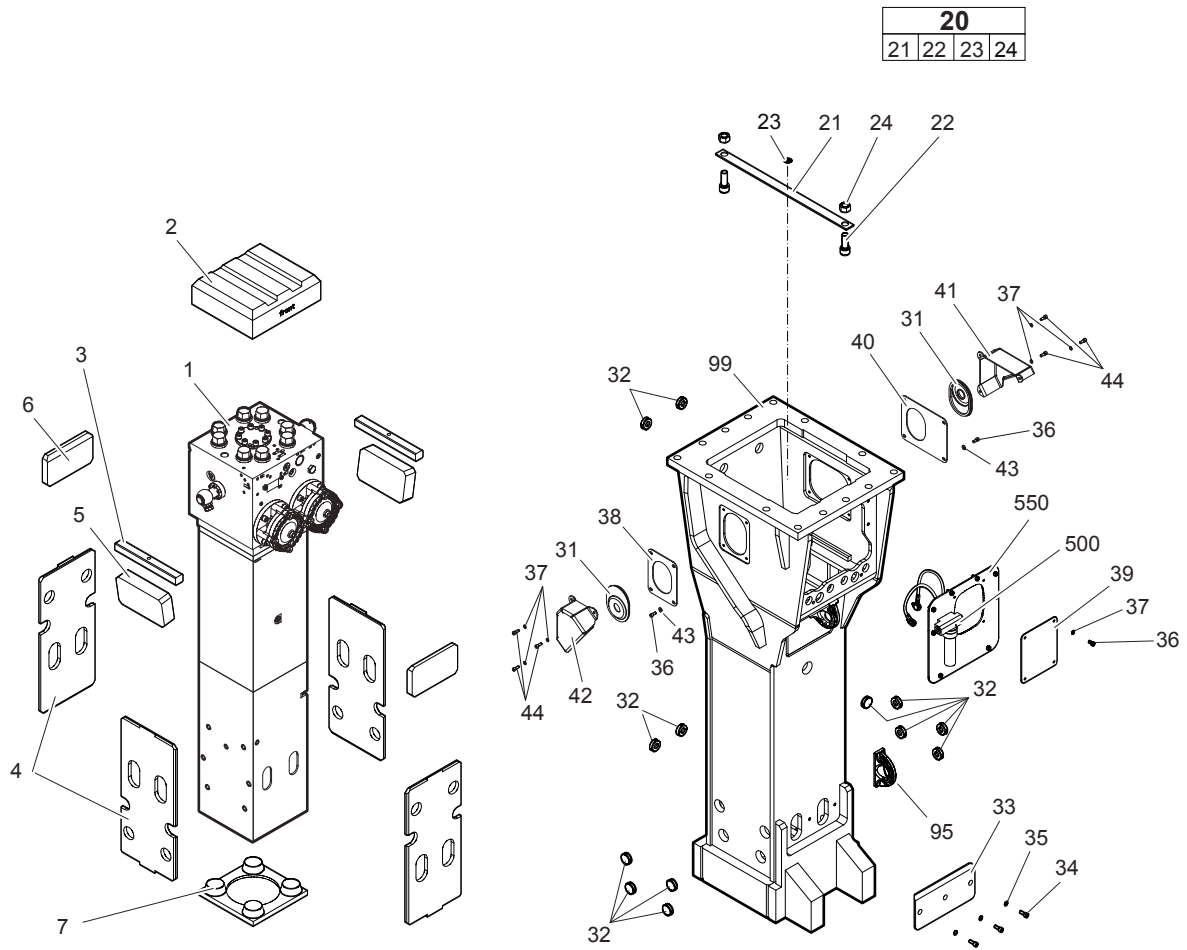
- full identification code of the hydraulic attachment
- required quantity
- part number
- description



- A. Cylinder number
- B. Type
- C. Serial number

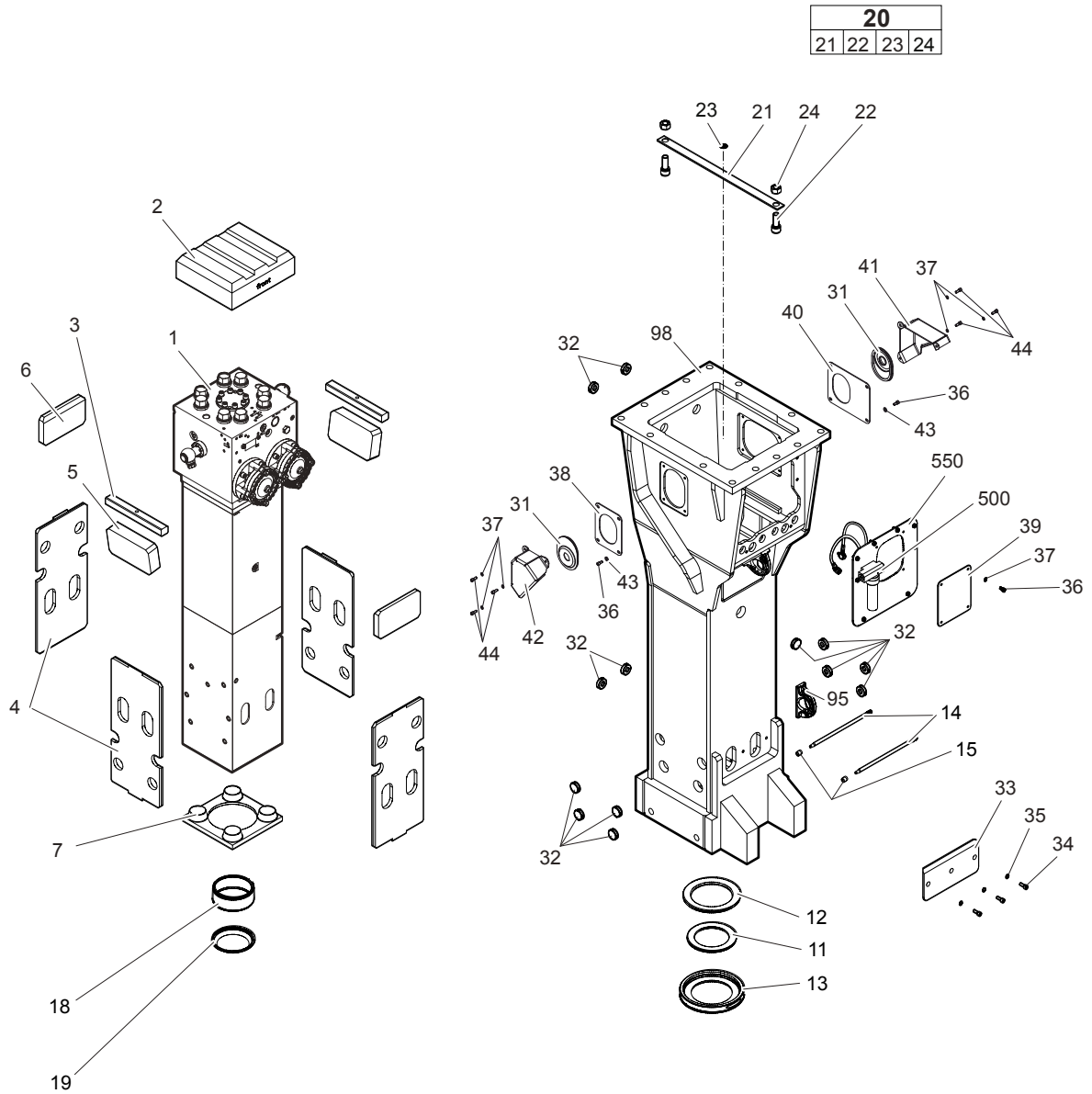
Spare parts list

Hydraulic breaker HB 7000



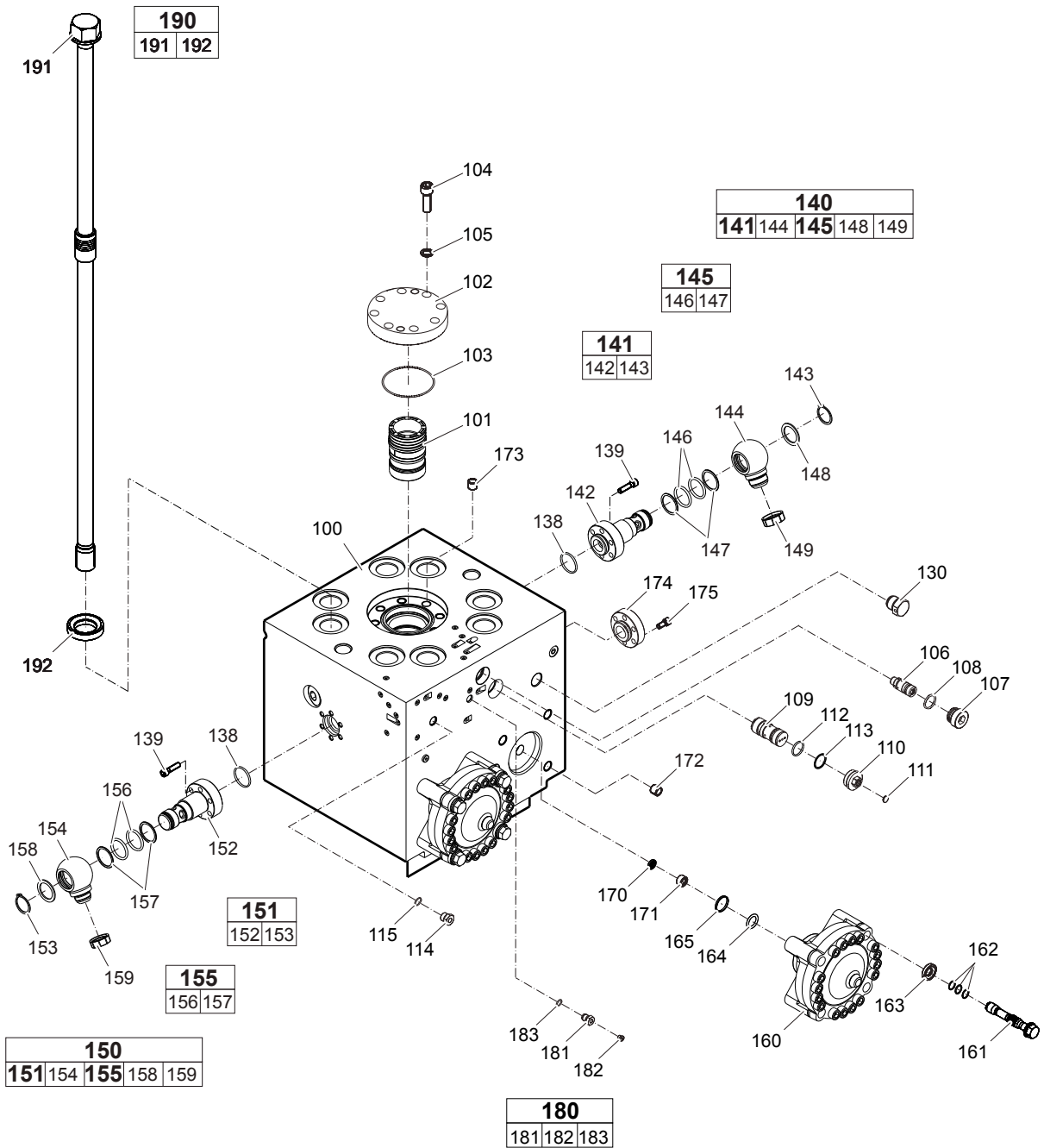
No.	Description	Remark	Quantity	Part number
1	Percussion unit	see separate chapter	1	-
2	Elastic pad		1	3362 2605 49
3	Shock absorber		2	3362 2605 45
4	Guide plate		4	3362 2696 97
5	Guide plate		2	3362 2626 67
6	Guide plate		2	3362 2626 65
7	Plate		1	3363 0933 83
20(21-24)	Transport safety device complete		1	3363 0836 77
21	Transport safety device		1	-
22	Allen screw		2	3360 1141 51
23	Label transport safety device		1	3363 0918 72
24	Nut		2	3360 1032 55
31	Cover		2	3363 0311 81
32	Plug		13	3363 0860 17
33	Plate		1	3363 0988 52
34	Allen screw		3	3360 1037 68
35	Pair of lock washers		3	3361 3337 03
36	Allen screw		6	3360 1037 50
37	Pair of lock washers		10	3361 8505 96
38	Plate		1	3363 0988 38
39	Plate		1	3363 0988 55
40	Plate		1	3363 1067 29
41	Swivel joint cover		1	3363 1114 77
42	Swivel joint cover		1	3363 1114 61
43	Pair of lock washers		2	3363 1112 96
44	Allen screw		6	3360 1037 51
95	Lifting eye	professional welding process necessary	2	3363 1119 96
99	Breaker box		1	3363 1067 30
500	ContiLube® II	see separate <i>Safety and operating instructions</i>	1	3363 0671 23
550	Connecting kit for ContiLube® II	see separate chapter	1	3363 0948 31

Hydraulic breaker HB 7000 DustProtector



No.	Description	Remark	Quantity	Part number
1	Percussion unit	see sepeate chapter	1	-
2	Elastic pad		1	3362 2605 49
3	Shock absorber		2	3362 2605 45
4	Guide plate		4	3362 2696 97
5	Guide plate		2	3362 2626 67
6	Guide plate		2	3362 2626 65
7	Plate		1	3363 0933 83
11	Floating ring	tribolid steel see chapter <i>Optional parts</i>	1	3363 0706 66
12	Counter ring		1	3363 0356 43
13	Guide ring		1	3363 0356 39
14	Bolt		2	3363 0706 45
15	Locking bush		2	3361 8543 63
18	Base for wiper		1	3363 0886 49
19	Wiper		1	3363 0345 89
20(21-24)	Transport safety device complete		1	3363 0836 77
21	Transport safety device		1	-
22	Allen screw		2	3360 1141 51
23	Label transport safety device		1	3363 0918 72
24	Nut		2	3360 1032 55
31	Cover		2	3363 0311 81
32	Plug		13	3363 0860 17
33	Plate		1	3363 0988 52
34	Allen screw		3	3360 1037 68
35	Pair of lock washers		3	3361 3337 03
36	Allen screw		6	3360 1037 50
37	Pair of lock washers		10	3361 8505 96
38	Plate		1	3363 0988 38
39	Plate		1	3363 0988 55
40	Plate		1	3363 1067 29
41	Swivel joint cover		1	3363 1114 77
42	Swivel joint cover		1	3363 1114 61
43	Pair of lock washers		2	3363 1112 96
44	Allen screw		6	3360 1037 51
95	Lifting eye	professional welding process necessary	2	3363 1119 96
98	Breaker box		1	3363 1067 26
500	ContiLube® II	see separate <i>Safety and operating instructions</i>	1	3363 0671 23
550	Connecting kit for ContiLube® II	see separate chapter	1	3363 0948 31

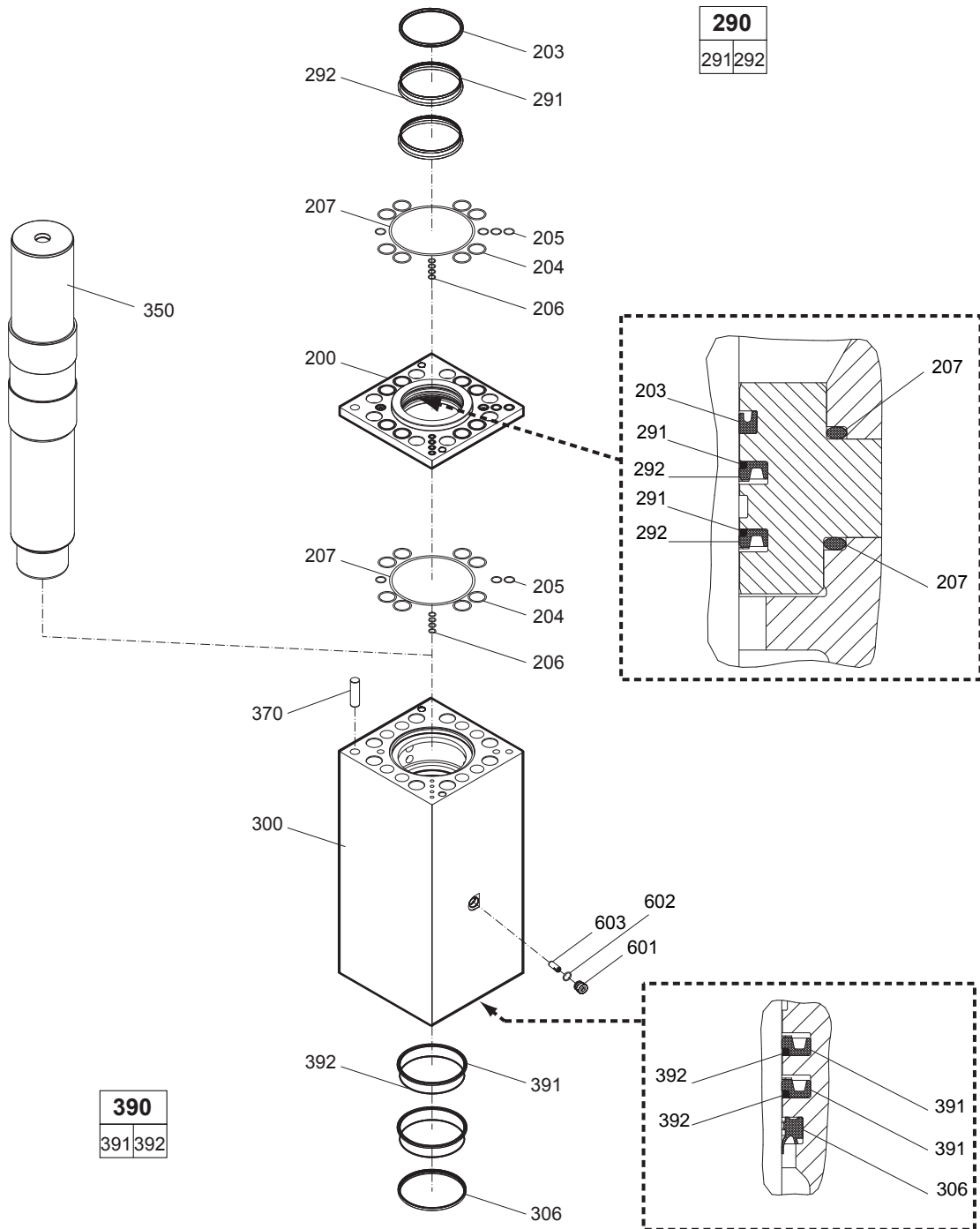
Percussion unit part 1: cylinder cover



No.	Description	Remark	Quantity	Part number
100	Cylinder cover	with no. 170 - 175	1	3363 0879 87
101	Main control valve		1	3363 0865 19
102	Cover		1	3363 0865 15
103	O-ring		1	3360 3143 76
104	Allen screw		8	3360 0267 84
105	Pair of lock washers		8	3361 8507 48
106	Frequency switching valve	AutoControl	1	3363 0354 53
107	Threaded plug		1	3363 0354 25
108	O-ring		1	3360 3143 70
109	Safety valve	PowerAdapt Only in exchange for the part to be replaced. Consult the Atlas Copco Customer Center/Dealer in your area	1	3363 0852 70
110	Threaded plug		1	3363 0870 86
111	Cap		1	3363 0870 87
112	O-ring		1	3363 1104 01
113	Back-up ring		1	3363 0870 85
114	Connecting screw		1	3361 8546 57
115	O-ring		1	3360 4781 71
130	Non-return valve		1	3361 8545 11
138	O-ring		2	3360 3143 73
139	Allen screw		12	3360 0265 13
140(141,144,145,148-149)	Swivel joint complete		1	3363 0865 71
141(142-143)	Adapter complete		1	3363 1034 70
142	Adapter		1	-
143	Snapping		1	3363 1031 33
144	Adapter		1	3363 0865 69
145(146-147)	Seal kit		1	3361 8504 22
146	O-ring		2	-
147	Back-up ring		2	-
148	Disk		1	3361 3566 45
149	Cap		1	3363 0837 49
150(151,154,155,158-159)	Swivel joint complete		1	3363 0860 81
151(152-153)	Adapter complete		1	3363 1034 70
152	Adapter		1	-
153	Snapping		1	3363 1031 33
154	Adapter		1	3361 3566 43
155(156-157)	Seal kit		1	3361 8504 22
156	O-ring		2	-
157	Back-up ring		2	-
158	Disk		1	3361 3566 45
159	Cap		1	3361 3534 89
160	HP-accumulator		2	3363 0949 81
161	Fastening screw	each fastening screw with 3 o-rings no. 162	8	3363 1131 01
162	Service kit O-rings	12 o-rings for all 4 fastening screws no. 161	2	3363 1147 30
163	Washer		8	3363 1000 49
164	O-ring		2	3360 3143 64
165	Back-up ring		2	3360 3280 46
170	Strainer disk		2	3361 8441 13
171	Threaded plug		2	3361 8441 15
172	Threaded insert		8	3361 0315 46
173	Threaded insert		8	3361 0315 29

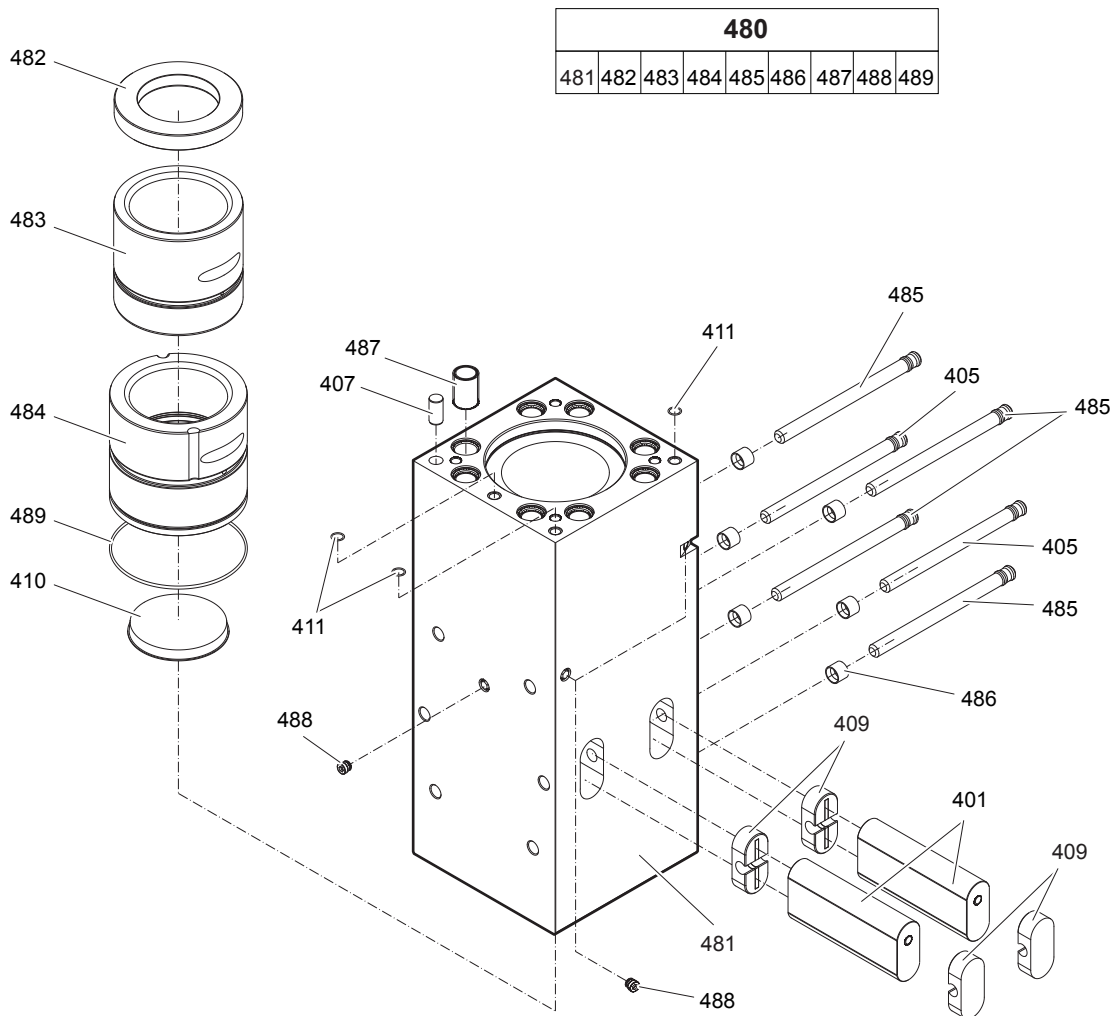
No.	Description	Remark	Quantity	Part number
174	Flange		1	3363 1047 87
175	Allen screw		6	3360 1037 50
180(181-183)	Filling valve complete		1	3363 0872 86
181	Filling valve		1	-
182	Threaded plug		1	3360 4784 26
183	O-ring		1	3360 1751 25
190(191-192)	Tensioning bolt complete		8	3363 0856 25
191	Tensioning bolt		1	3363 0848 99
192	Washer		1	3363 0936 55

Percussion unit part 2: cylinder



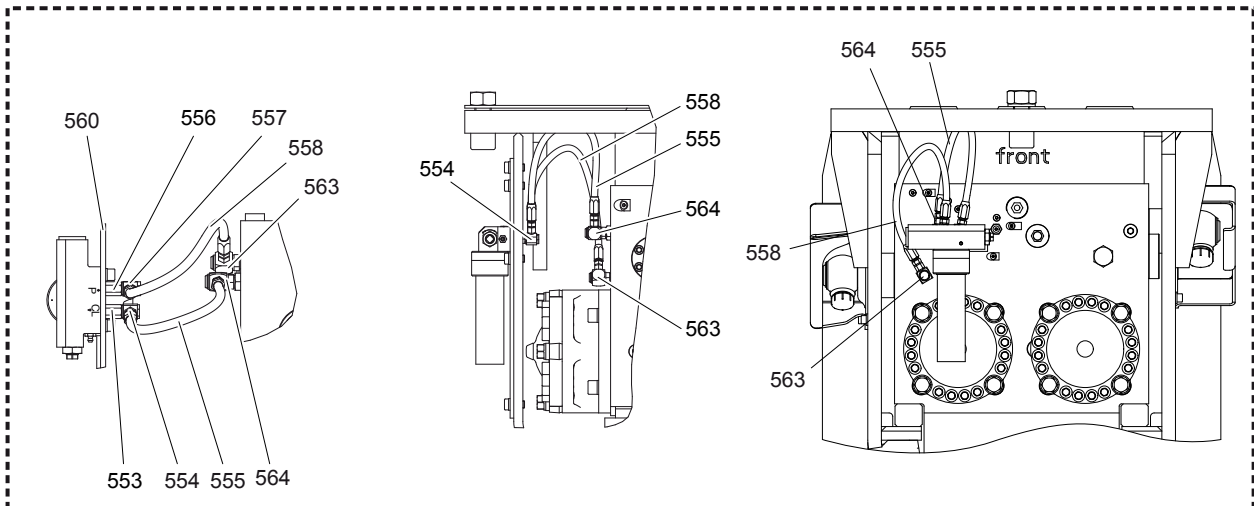
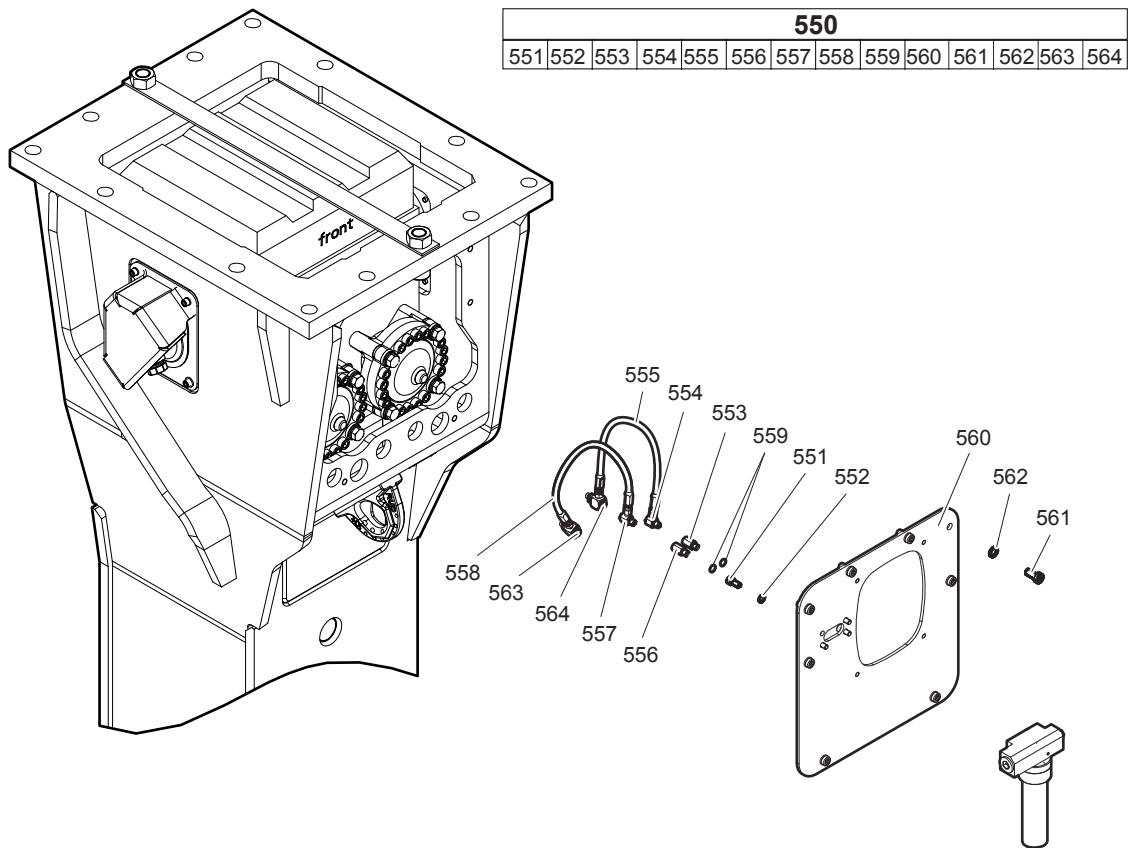
No.	Description	Remark	Quantity	Part number
200	Seal flange		1	3363 0673 87
203	Seal		1	3363 1034 19
204	O-ring		16	3360 3144 55
205	O-ring		7	3360 3143 68
206	O-ring		8	3360 4780 97
207	O-ring		2	3361 0319 88
290(291-292)	Seal kit		2	3362 2689 07
291	Back-up ring		1	-
292	Seal		1	-
300	Cylinder	with no. 601 - 603	1	3363 0870 03
306	Wiper		1	3363 0836 72
350	Percussion piston		1	3363 0870 06
370	Lock pin		1	3360 1068 19
390(391-392)	Seal kit		2	3362 2689 05
391	Seal		1	-
392	Back-up ring		1	-
601	Plug		1	3363 0825 93
602	O-ring		1	3363 0832 45
603	Valve	StartSelect	1	3363 0825 05

Percussion unit part 3: lower breaker part



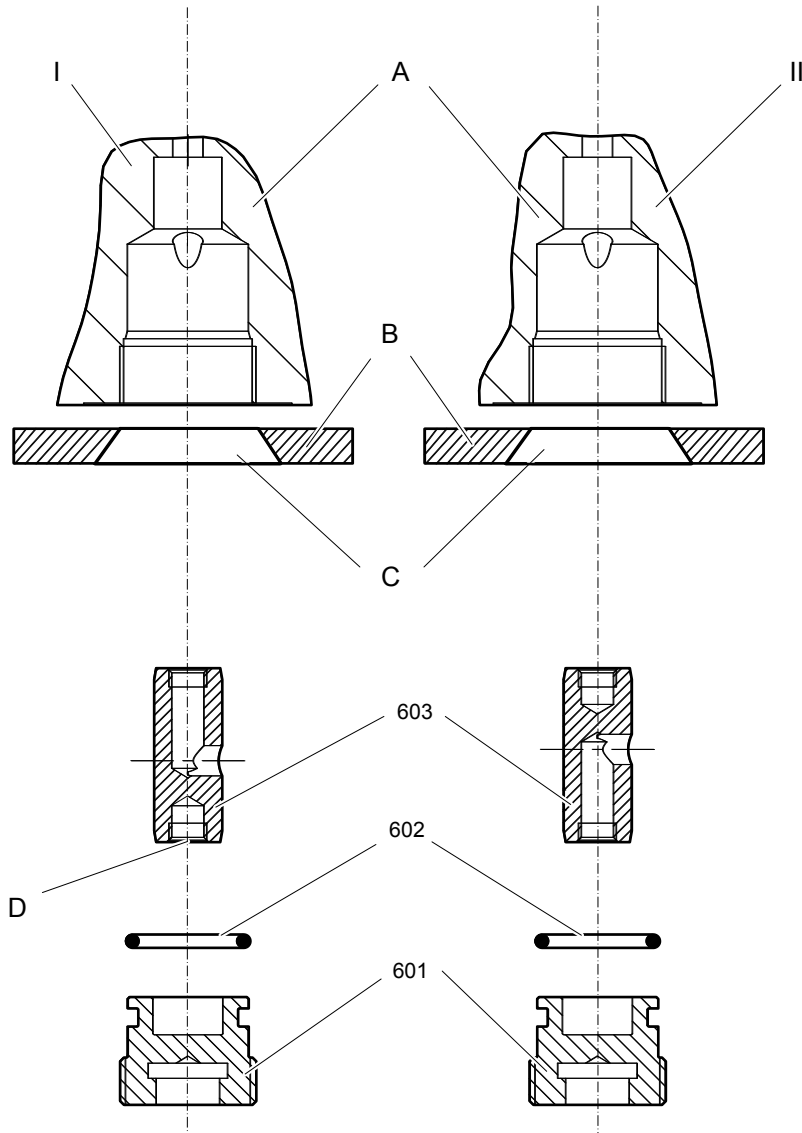
No.	Description	Remark	Quantity	Part number
401	Retainer bar		2	3362 2604 29
405	Bolt		2	3362 2604 31
407	Lock pin		1	3360 1068 18
409	Plug		4	3362 2604 35
410	Protective cap		1	3361 8557 19
411	O-ring		3	3360 3144 53
480(481-489)	Lower breaker part complete	Note: When ordering a lower breaker part for DustProtector version it is imperative to order additionally the base for wiper (no. 18) and the wiper (no. 19).	1	3363 0895 00
481	Lower breaker part		1	-
482	Impact ring		1	3363 0690 85
483	Wear bush		1	3363 0695 07
484	Wear bush	steel bronze see chapter <i>Optional parts</i>	1	3363 0886 57
485	Bolt		4	3362 2604 31
486	Locking bush		6	3362 2604 33
487	Threaded insert		8	3363 0854 99
488	Plug		3	3363 0863 01
489	O-ring		1	3361 0319 88

Connecting kit for ContiLube® II



No.	Description	Remark	Quantity	Part number
550(551-564)	Connecting kit		1	3363 0948 31
551	Allen screw	secure with Loctite 243	4	3360 1037 50
552	Pair of lock washers		4	3361 8505 96
553	Adapter	secure with Loctite 243	1	3363 0668 87
554	Fitting	secure with Loctite 243	1	3363 0662 33
555	Hydraulic hose	Grease line secure with Loctite 243 Route the hydraulic hoses as shown on the drawing. It must be ensured that the hydraulic hoses can move freely and are not in contact to any point.	1	3363 0838 76
556	Adapter	secure with Loctite 243	1	3363 0687 45
557	Fitting	secure with Loctite 243	1	3363 0662 34
558	Hydraulic hose	Oil line secure with Loctite 243 Route the hydraulic hoses as shown on the drawing. It must be ensured that the hydraulic hoses can move freely and are not in contact to any point.	1	3363 0838 79
559	Seal		2	3363 0669 51
560	Support		1	3363 0988 47
561	Allen screw		8	3360 1007 96
562	Pair of lock washers		8	3361 3337 03
563	Fitting	secure with Loctite 243	1	3363 0871 86
564	Fitting	secure with Loctite 243	1	3363 0871 85

AutoStop System - AutoStart or AutoStop



No.	Description	Remark	Quantity	Part number
601	Plug		1	3363 0825 93
602	O-ring		1	3363 0832 45
603	Valve	AutoStop System	1	3363 0825 05

I = AutoStop setting

II = AutoStart setting (standard setting on delivery)

A. Port bore in cylinder

B. Wall of breaker box

C. Plug of breaker box

D. M 10 thread (both ends) for mounting

The position of the AutoStop System unit is shown on the percussion unit illustrations.

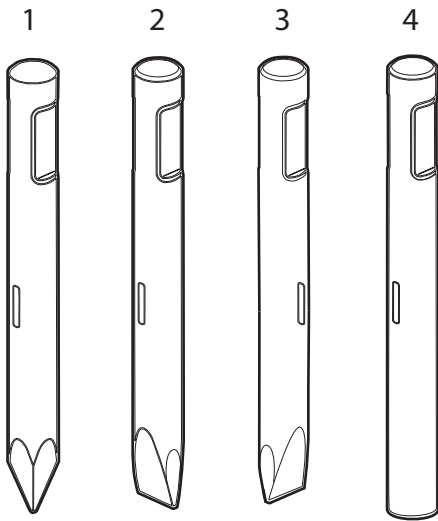
Optional parts

No.	Description	Remark	Quantity	Part number
11	Floating ring	steel	1	3363 0356 41
484	Wear bush	bronze	1	3363 0885 13

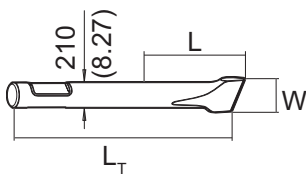
Tightening torques

No.	Description	Tightening torque	Remark
104	Allen screw	380 Nm	Allen key size 17
107	Threaded plug	300 Nm	Allen key size 22
110	Threaded plug	300 Nm	Socket spanner size 24
130	Non-return valve	200 Nm	Socket spanner size 41
139	Allen screw	80 Nm	Allen key size 10
161	Fastening screw		Socket spanner size 30 Tightening regulations: 1. Treat the threads and threaded inserts for the fastening screws with an Anti-Seize agent. 2. Treat the surfaces between the screw head, washer, and HP-accumulator cover with Anti-Seize. 3. Place on the HP-accumulator, and tighten the fastening screws by hand in a crosswise fashion. 4. Pretighten the fastening screws to 80 Nm, proceeding in a crosswise fashion, 5. then tighten each screw through 30° in a crosswise fashion, 6. finally tighten each screw again through 60° in a crosswise fashion.
175	Allen screw	80 Nm	Allen key size 10
181	Filling valve	130 Nm	Socket spanner size 22
182	Threaded plug	20 Nm	Allen key size 5
191	Tensioning bolt		Torque wrench or Power wrench size 65 1. Pretighten the tensioning bolts to 500 Nm, proceeding in a crosswise fashion, 2. then tighten each tensioning bolt through 180° (3 sides of hexagonal head) in a crosswise fashion, 3. then tighten each tensioning bolt again through 180° (3 sides of hexagonal head) in a crosswise fashion. 4. finally loose each tensioning bolt through -15° (1/4 side of hexagonal head) in a crosswise fashion.
601	Plug	200 Nm	Allen key size 17
551	Allen screw	85 Nm	Allen key size 10
553	Adapter	45 Nm	Open-ended wrench size 19
554	Fitting	45 Nm	Open-ended wrench size 17, 19, 22
555	Hydraulic hose grease line	16 Nm	Open-ended wrench size 17
556	Adapter	55 Nm	Open-ended wrench size 19
557	Fitting	55 Nm	Open-ended wrench size 19, 22
558	Hydraulic hose oil line	42 Nm	Open-ended wrench size 19
561	Allen screw	110 Nm	Allen key size 12
563	Fitting	60 Nm	Open-ended wrench size 19, 22, 27
564	Fitting	50 Nm	Open-ended wrench size 17, 22, 27

Working tools



HB 7000



Metric

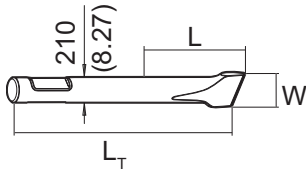
No.	Description	Remark	W (mm)	L (mm)	L _T (mm)	Wt (kg)	Part number
1	Moil point	ClassicLine		735	1600	368.0	3363 0871 54
1	Moil point	ClassicLine		935	1800	422.0	3363 0822 65
1	Moil point	SilverLine		935	1800	422.0	3363 0914 23
2	Chisel (cross)	ClassicLine	210	735	1600	386.0	3363 0859 82
2	Chisel (cross)	ClassicLine	210	935	1800	440.0	3363 0822 67
2	Chisel (cross)	SilverLine	210	935	1800	440.0	3363 0914 24
3	Chisel (parallel)	ClassicLine	210	735	1600	386.0	3363 0942 62
3	Chisel (parallel)	ClassicLine	210	935	1800	440.0	3363 0942 63
4	Blunt tool	ClassicLine		735	1600	416.0	3363 0872 55
4	Blunt tool	ClassicLine		935	1800	470.0	3363 0822 69
4	Blunt tool	SilverLine		935	1800	470.0	3363 0914 25

Imperial

No.	Description	Remark	W (in.)	L (in.)	L _T (in.)	Wt (lb)	Part number
1	Moil point	ClassicLine		28.94	62.99	811.3	3363 0871 54
1	Moil point	ClassicLine		36.81	70.87	930.3	3363 0822 65
1	Moil point	SilverLine		36.81	70.87	930.3	3363 0914 23
2	Chisel (cross)	ClassicLine	8.27	28.94	62.99	851.0	3363 0859 82
2	Chisel (cross)	ClassicLine	8.27	36.81	70.87	970.0	3363 0822 67
2	Chisel (cross)	SilverLine	8.27	36.81	70.87	970.0	3363 0914 24
3	Chisel (parallel)	ClassicLine	8.27	28.94	62.99	851.0	3363 0942 62

No.	Description	Remark	W (in.)	L (in.)	L _T (in.)	Wt (lb)	Part number
3	Chisel (parallel)	ClassicLine	8.27	36.81	70.87	970.0	3363 0942 63
4	Blunt tool	ClassicLine		28.94	62.99	917.1	3363 0872 55
4	Blunt tool	ClassicLine		36.81	70.87	1036.2	3363 0822 69
4	Blunt tool	SilverLine		36.81	70.87	1036.2	3363 0914 25

HB 7000 DustProtector



Metric

No.	Description	Remark	W (mm)	L (mm)	L _T (mm)	Wt (kg)	Part number
1	Moil point	ClassicLine		685	1600	368.0	3363 0871 54
1	Moil point	ClassicLine		885	1800	422.0	3363 0822 65
1	Moil point	SilverLine		885	1800	422.0	3363 0914 23
2	Chisel (cross)	ClassicLine	210	685	1600	386.0	3363 0859 82
2	Chisel (cross)	ClassicLine	210	885	1800	440.0	3363 0822 67
2	Chisel (cross)	SilverLine	210	885	1800	440.0	3363 0914 24
3	Chisel (parallel)	ClassicLine	210	685	1600	386.0	3363 0942 62
3	Chisel (parallel)	ClassicLine	210	885	1800	440.0	3363 0942 63
4	Blunt tool	ClassicLine		685	1600	416.0	3363 0872 55
4	Blunt tool	ClassicLine		885	1800	470.0	3363 0822 69
4	Blunt tool	SilverLine		885	1800	470.0	3363 0914 25

Imperial

No.	Description	Remark	W (in.)	L (in.)	L _T (in.)	Wt (lb)	Part number
1	Moil point	ClassicLine		26.97	62.99	811.3	3363 0871 54
1	Moil point	ClassicLine		34.84	70.87	930.3	3363 0822 65
1	Moil point	SilverLine		34.84	70.87	930.3	3363 0914 23
2	Chisel (cross)	ClassicLine	8.27	26.97	62.99	851.0	3363 0859 82
2	Chisel (cross)	ClassicLine	8.27	34.84	70.87	970.0	3363 0822 67
2	Chisel (cross)	SilverLine	8.27	34.84	70.87	970.0	3363 0914 24
3	Chisel (parallel)	ClassicLine	8.27	26.97	62.99	851.0	3363 0942 62
3	Chisel (parallel)	ClassicLine	8.27	34.84	70.87	970.0	3363 0942 63
4	Blunt tool	ClassicLine		26.97	62.99	917.1	3363 0872 55
4	Blunt tool	ClassicLine		34.84	70.87	1036.2	3363 0822 69
4	Blunt tool	SilverLine		34.84	70.87	1036.2	3363 0914 25

Accessories

Hydraulic hoses

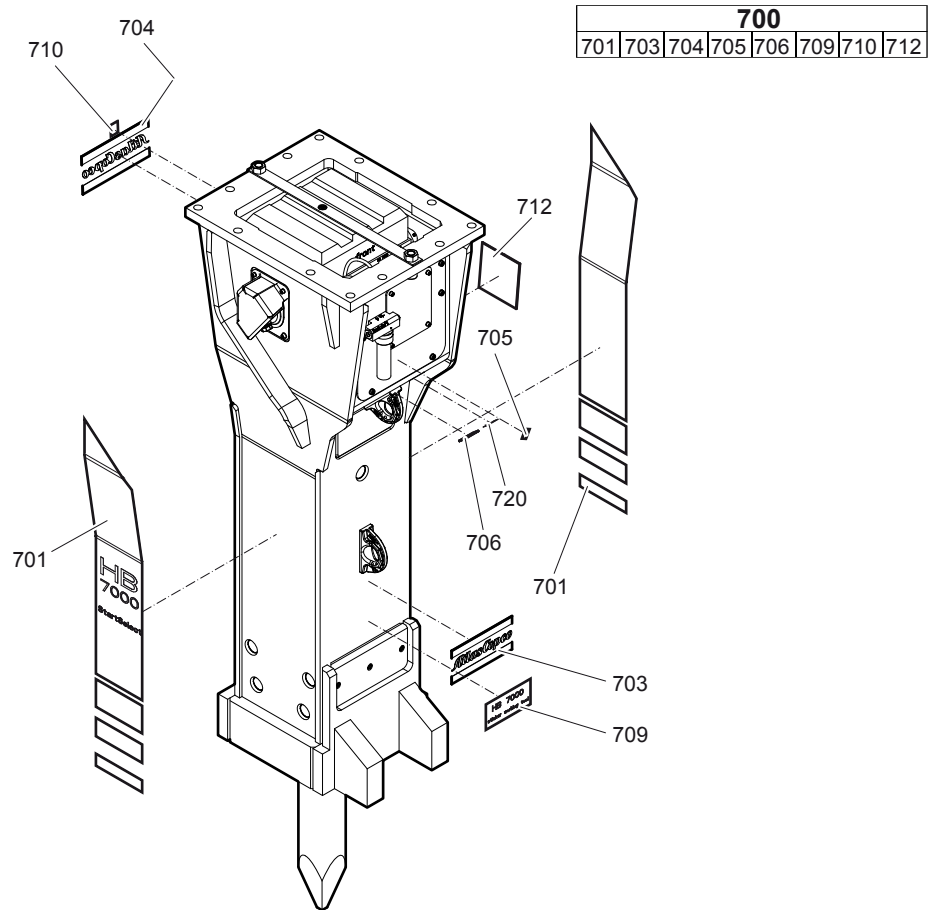
Description	Remark	Quantity	Part number
Hose	Feed line I.D. 32 (1 1/4"), both ends JIC 1 5/8", length 2800 mm (110 in.)	1	3361 8538 60
Hose	Return line I.D. 40 (1 1/2"), both ends JIC 1 7/8", length 2800 mm (110 in.)	1	3363 0835 63
Hose	Feed line I.D. 32 (1 1/4"), both ends JIC 1 5/8", length 3500 mm (138 in.)	1	3361 8538 61
Hose	Return line I.D. 40 (1 1/2"), both ends JIC 1 7/8", length 3500 mm (138 in.)	1	3363 0835 62

Optional equipment

Description	Remark	Quantity	Part number
Chisel paste for ContiLube [®] II	12 x 500 g (1.1 lbs)	1	3363 0912 00
Grease gun for cartridge ContiLube [®] II		1	3363 0345 67
Grease nipple		1	3360 4337 74
Service box no. II with nitrogen cylinder	5 l 1.1 gal (1.32 US gal)	1	3363 0898 45
Service box no. III without nitrogen cylinder		1	3363 0949 40
Test gauge lower wear bush		1	3362 2352 95
Inside callipers upper wear bush		1	3363 0949 52
Adapter plate matching the carrier Consult the Atlas Copco Customer Center/Dealer in your area.		1	-
Base plate with threaded inserts		1	3363 0934 97
Bolt kit		1	3363 0873 05
Base plate with through borings		1	3363 1028 75
Bolt kit		1	3363 0945 77
Allen key	27 mm for bolt kit	1	3360 4789 49
Adapter kit for underwater applications		1	3363 1030 77
Piston retainer		1	3363 0929 91

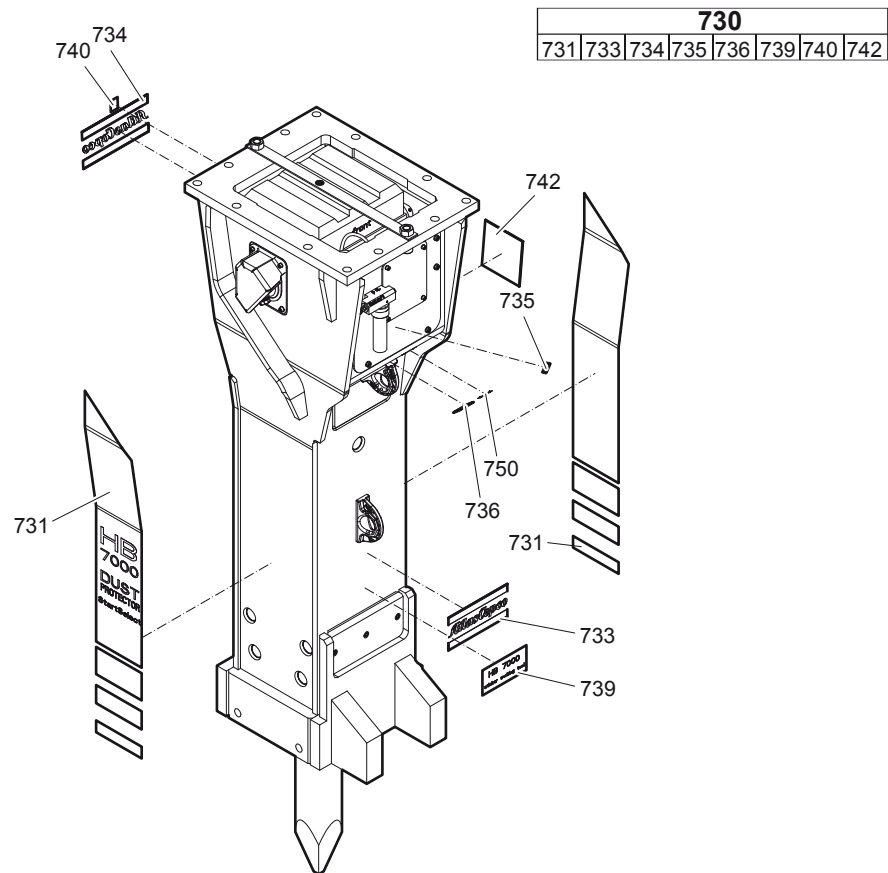
Kits

Label kit HB 7000



No.	Description	Remark	Quantity	Part number
700(701-712)	Label kit HB 7000		1	3363 0943 21
701	Label HB 7000		2	-
703	Label Atlas Copco		1	-
704	Label Atlas Copco		1	-
705	Lubricating symbol		1	-
706	Label gas pressure		2	-
709	Label working tools		1	-
710	Label noise level		1	-
712	Label AEM		1	-
720	Name plate	Consult the Atlas Copco Customer Center/Dealer in your area.	1	-

Label kit HB 7000 DustProtector



No.	Description	Remark	Quantity	Part number
730(731-742)	Label kit HB 7000 DustProtector		1	3363 0943 22
731	Label HB 7000 DustProtector		2	-
733	Label Atlas Copco		1	-
734	Label Atlas Copco		1	-
735	Lubricating symbol		1	-
736	Label gas pressure		2	-
739	Label working tools		1	-
740	Label noise level		1	-
742	Label AEM		1	-
750	Name plate	Consult the Atlas Copco Customer Center/Dealer in your area.	1	-

Plastic parts kit

No.	Description	Remark	Quantity	Part number
	Plastic parts kit		1	3363 0895 17
2	Elastic pad		1	3362 2605 49
3	Shock absorber		2	3362 2605 45
4	Guide plate		4	3362 2696 97
5	Guide plate		2	3362 2626 67
6	Guide plate		2	3362 2626 65
7	Plate		1	3363 0933 83

Seal kit

No.	Description	Remark	Quantity	Part number
	Seal kit		1	3363 0871 04
103	O-ring		1	3360 3143 76
108	O-ring		1	3360 3143 70
112	O-ring		1	3363 1104 01
113	Back-up ring		1	3363 0870 85
115	O-ring		1	3360 4781 71
138	O-ring		2	3360 3143 73
164	O-ring		4	3360 3143 64
165	Back-up ring		4	3360 3280 46
145	Seal kit		1	3361 8504 22
146	O-ring		2	3361 8462 82
147	Back-up ring		2	3361 8462 81
155	Seal kit		1	3361 8504 22
156	O-ring		2	3361 8462 82
157	Back-up ring		2	3361 8462 81
182	Threaded plug		1	3360 4784 26
183	O-ring		1	3360 1751 25
203	Seal		1	3363 1034 19
204	O-ring		16	3360 3144 55
205	O-ring		7	3360 3143 68
206	O-ring		8	3360 4780 97
207	O-ring		2	3361 0319 88
290	Seal kit		2	3362 2689 07
291	Back-up ring		1	3363 0833 81
292	Seal		1	3363 0833 80
306	Wiper		1	3363 0836 72
390	Seal kit		2	3362 2689 05
391	Seal		1	3363 0833 78
392	Back-up ring		1	3363 0833 79
411	O-ring		3	3360 3144 53
489	O-ring		1	3361 0319 88

Seal kit for swivel joint (ContiLube® II)

No.	Description	Remark	Quantity	Part number
	Seal kit		1	3363 0917 32

Tensioning bolt kit

No.	Description	Remark	Quantity	Part number
	Tensioning bolt kit		1	3363 0943 55
191	Tensioning bolt		4	3363 0848 99
192	Washer		4	3363 0936 55
487	Threaded insert		4	3363 0854 99
	Aniti-Seize 120 g		1	3363 0943 00

DustProtector kit

No.	Description	Remark	Quantity	Part number
	DustProtector kit		1	3363 0943 91
11	Floating ring		1	3363 0706 66
12	Counter ring		1	3363 0356 43
13	Guide ring		1	3363 0356 39
14	Bolt		2	3363 0706 45
15	Locking bush		2	3361 8543 63

Noise protection kit

No.	Description	Remark	Quantity	Part number
	Noise protection kit		1	3363 0980 65
31	Cover		2	3363 0860 17
32	Plug		13	3363 0311 81

Lower breaker part kit (steel)

No.	Description	Remark	Quantity	Part number
	Lower breaker part kit	HB 7000 with lower wear bush steel	1	3363 1034 12
401	Retainer bar		2	3362 2604 29
405	Bolt		2	3362 2604 31
409	Plug		4	3362 2604 35
482	Impact ring		1	3363 0690 85
483	Wear bush		1	3363 0695 07
484	Wear bush	steel	1	3363 0886 57
485	Bolt		4	3362 2604 31
486	Locking bush		6	3362 2604 33
489	O-ring		1	3361 0319 88
	Chisel paste		1	3315 0381 00
	Test gauge		1	3362 2352 95

Lower breaker part kit (bronze)

No.	Description	Remark	Quantity	Part number
	Lower breaker part kit	HB 7000 with lower wear bush bronze	1	3363 0943 81
401	Retainer bar		2	3362 2604 29
405	Bolt		2	3362 2604 31
409	Plug		4	3362 2604 35
482	Impact ring		1	3363 0690 85
483	Wear bush		1	3363 0695 07
484	Wear bush	bronze	1	3363 0885 13
485	Bolt		4	3362 2604 31
486	Locking bush		6	3362 2604 33
489	O-ring		1	3361 0319 88
	Chisel paste		1	3315 0381 00
	Test gauge		1	3362 2352 95

Lower breaker part kit DustProtector (steel)

No.	Description	Remark	Quantity	Part number
	Lower breaker part kit	HB 7000 DustProtector with lower wear bush steel	1	3363 1034 13
18	Base for wiper		1	3363 0886 49
19	Wiper		1	3363 0345 89
401	Retainer bar		2	3362 2604 29
405	Bolt		2	3362 2604 31
409	Plug		4	3362 2604 35
482	Impact ring		1	3363 0690 85
483	Wear bush		1	3363 0695 07
484	Wear bush	steel	1	3363 0886 57
485	Bolt		4	3362 2604 31
486	Locking bush		6	3362 2604 33
489	O-ring		1	3361 0319 88
	Chisel paste		1	3315 0381 00
	Test gauge		1	3362 2352 95

Lower breaker part kit DustProtector (bronze)

No.	Description	Remark	Quantity	Part number
	Lower breaker part kit	HB 7000 DustProtector with lower wear bush bronze	1	3363 0943 82
18	Base for wiper		1	3363 0886 49
19	Wiper		1	3363 0345 89
401	Retainer bar		2	3362 2604 29
405	Bolt		2	3362 2604 31
409	Plug		4	3362 2604 35
482	Impact ring		1	3363 0690 85
483	Wear bush		1	3363 0695 07
484	Wear bush	bronze	1	3363 0885 13
485	Bolt		4	3362 2604 31
486	Locking bush		6	3362 2604 33
489	O-ring		1	3361 0319 88
	Chisel paste		1	3315 0381 00
	Test gauge		1	3362 2352 95

Fastening screw kit

No.	Description	Remark	Quantity	Part number
	Fastening screw kit		1	3363 1034 87
161	Fastening screw		4	3363 1131 01
162	Washer		4	3363 1000 49
172	Threaded insert		4	3361 0315 46

Accumulator repair kit

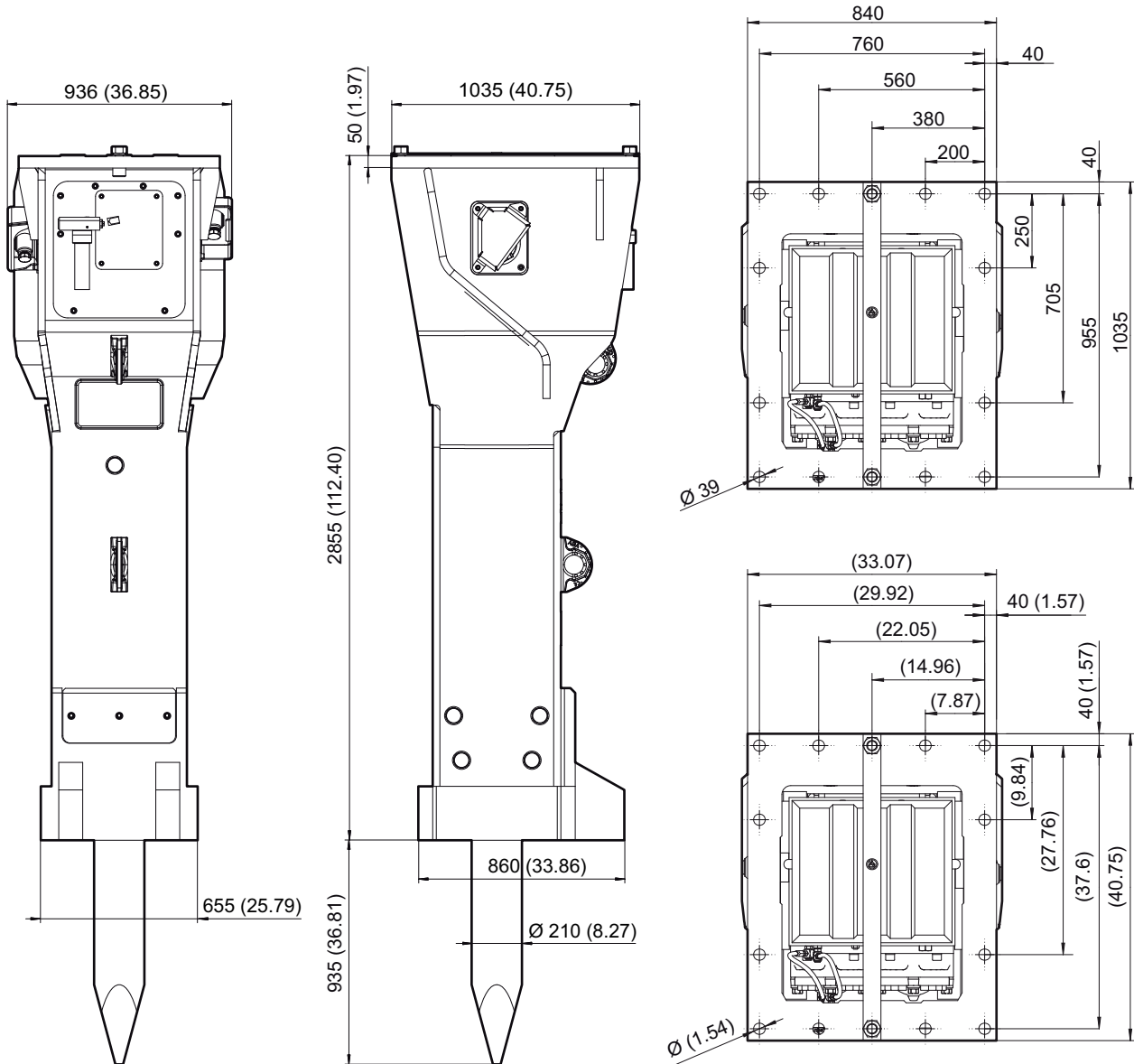
Accumulators are pressure containers in the context of the European Pressure Equipment Directive 97/23/EC. You have to observe all safety instructions comply with the laws and all national/regional regulations of your country if you repair accumulators.

No.	Description	Remark	Quantity	Part number
	Accumulator repair kit		1	3363 0898 50
	Diaphragm		1	3361 3290 22
	Filling screw		1	3360 3322 59
	O-ring		1	3360 3144 60
	Protective cap		1	3361 3350 25
	O-ring		1	3360 3143 64
	Back-up ring		1	3360 3280 46

Dimensions

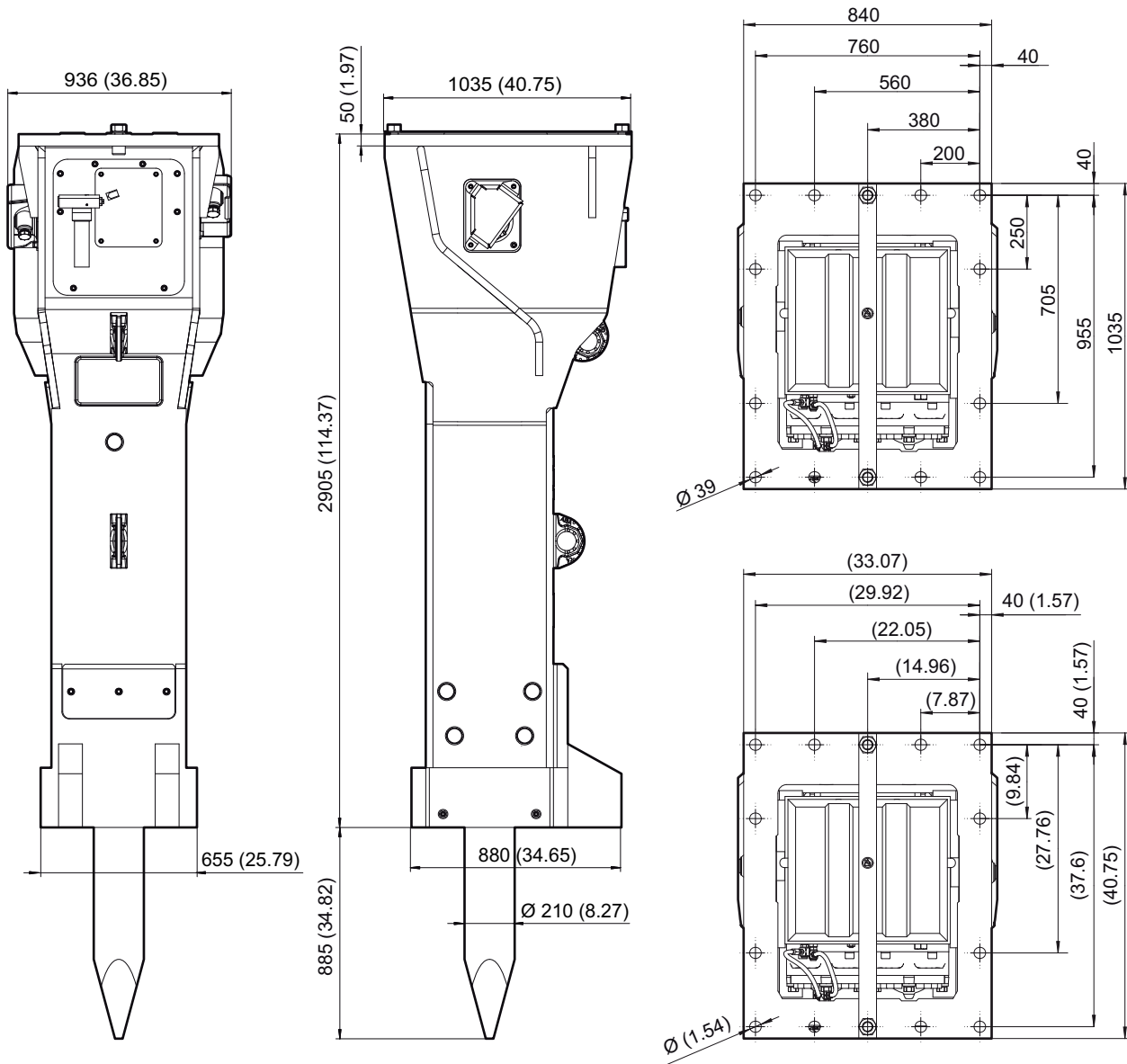
Dimensions HB 7000

mm (inch)



Dimensions HB 7000 DustProtector

mm (inch)





Any unauthorized use or copying of the contents or any part thereof is prohibited.
This applies in particular to trademarks, model denominations, part numbers, and drawings.

© 2013 Atlas Copco Construction Tools GmbH | No. 3390 7546 01 | 2013-02-20

www.atlascopco.com