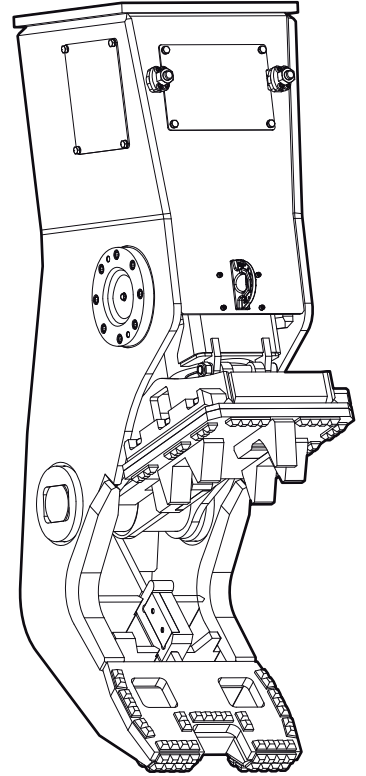


Spare parts list Bulk pulverizer

	Valid from serial number
BP 3050	103
BP 3050 R	103



Contents

General information	5
Spare parts list	6
Bulk pulverizer BP 3050 non rotating	6
Bulk pulverizer BP 3050 rotating	8
Pulverizer jaw	10
Hydraulic cylinder	12
Upper part complete	14
Rotary transmission	16
Tightening torques	18
Accessories	19
Hydraulic hoses - non rotating	19
Hydraulic hoses - rotating	19
Optional equipment	19
Kits	20
Label kit	20
Cutter blades kit	20
Seal kit (Hydraulic motor housing)	20
Seal kit (Hydraulic motor)	20
Seal kit for rapid movement valve	20
Dimensions	21
Dimensions BP 3050 non rotating	21
Dimensions BP 3050 rotating	22

General information

This spare parts list applies to the following:

Part number	Description
3363 1117 15	Bulk pulverizer BP 3050 non rotating
3363 1119 60	Bulk pulverizer BP 3050 rotating

Use only authorized parts. Any damage or malfunction caused by the use of unauthorized parts is not covered by Warranty or Product Liability. Any unauthorized use or copying of the contents or any part thereof is prohibited. This applies in particular to trademarks, model denominations, part numbers, and drawings.

Instructions for use

This spare parts list contains no safety regulations and is merely intended to assist in the ordering of spare parts.

For information about operating, servicing, or repairing, the relevant Safety and operating instructions must be consulted at all costs.

Please observe the safety instructions listed in the relevant Safety and operating instructions!

Instructions of ordering

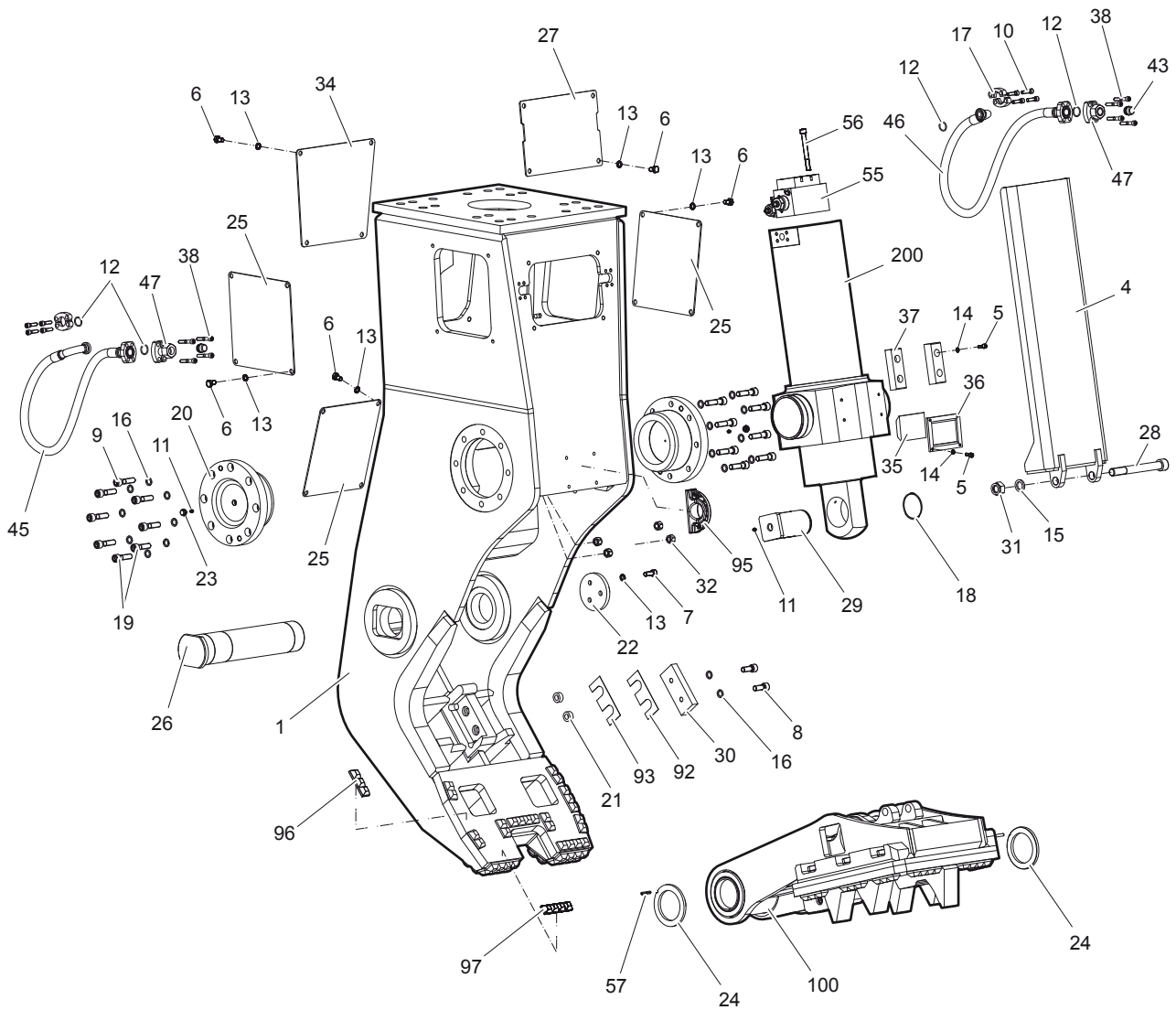
It is essential to indicate the serial number of the hydraulic attachment when ordering spare parts!

Determine the quantity of individual parts which are required and need to be ordered. The order must indicate the following details:

- full identification code of the hydraulic attachment
- required quantity
- part number
- description

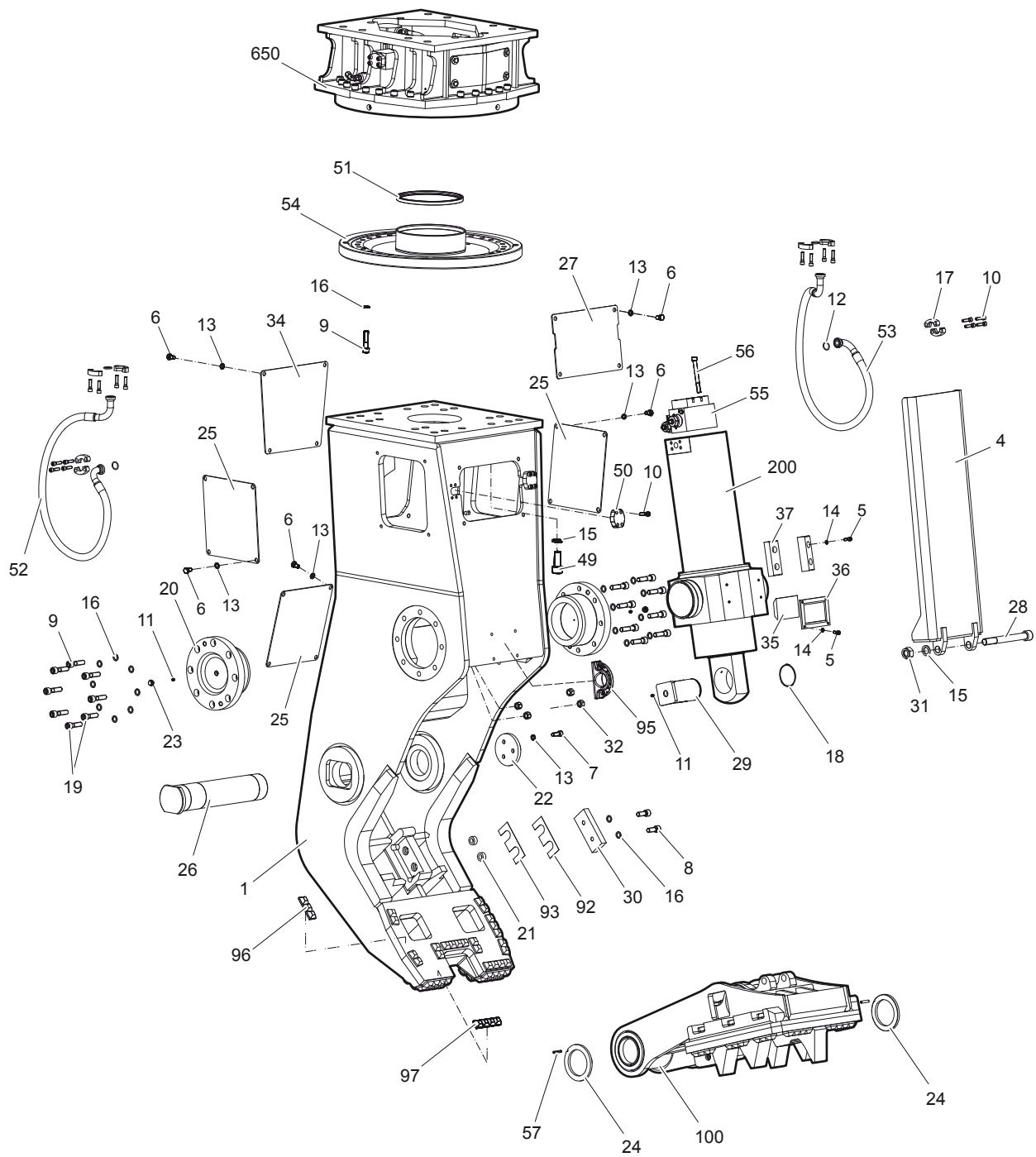
Spare parts list

Bulk pulverizer BP 3050 non rotating



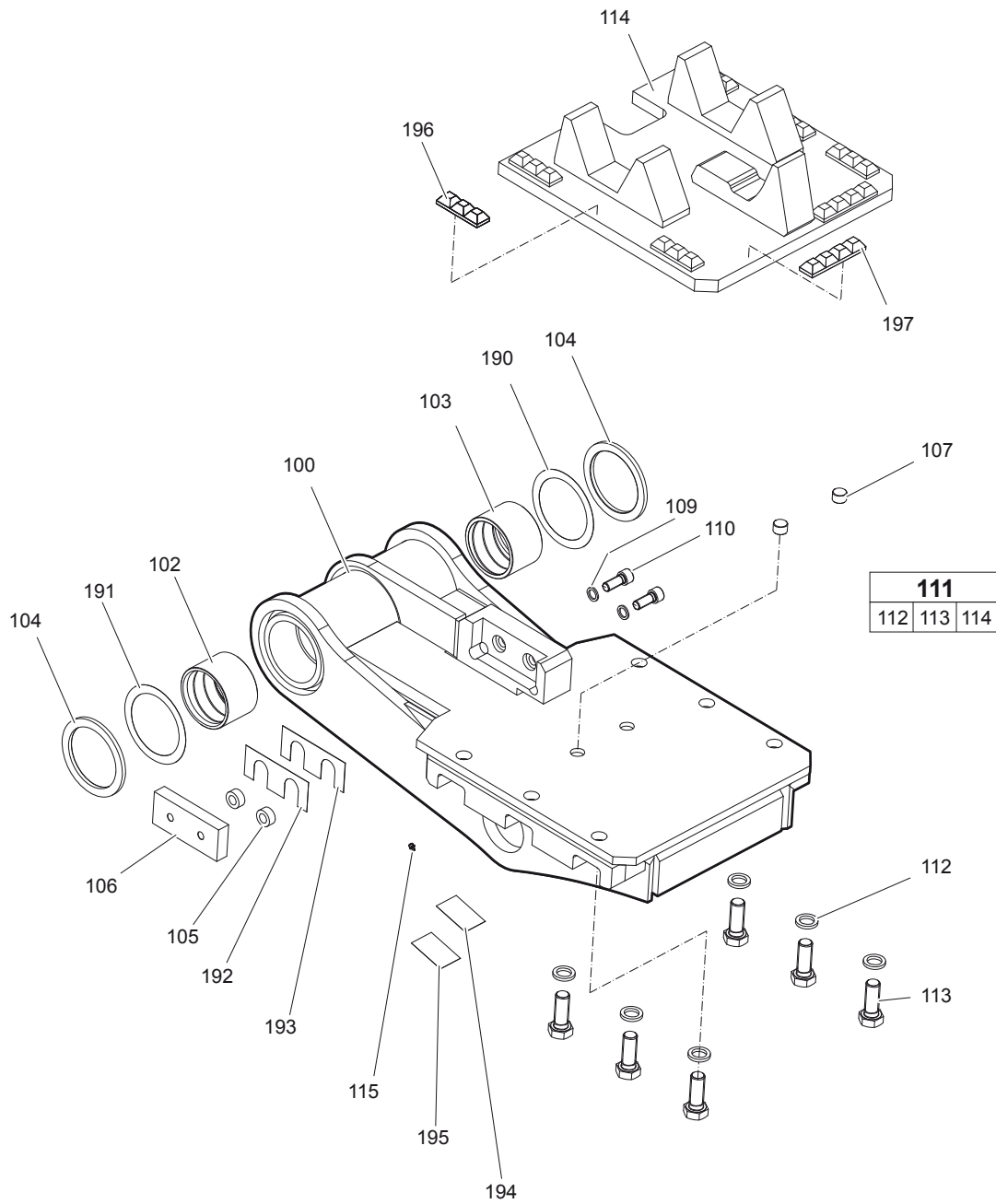
No.	Description	Remark	Quantity	Part number
1	Housing		1	3363 1117 16
4	Protective sheath		1	3363 1127 33
5	Allen screw		8	3360 1037 45
6	Hexagon head bolt		20	3360 1051 41
7	Allen screw		3	3360 1060 79
8	Allen screw		2	3360 1060 92
9	Allen screw		12	3360 1060 98
10	Allen screw		8	3360 0265 13
11	Grease nipple		3	3360 2098 34
12	O-ring		4	3360 3143 70
13	Pair of lock washers		23	3361 3337 03
14	Pair of lock washers		8	3361 8507 45
15	Pair of lock washers		1	3361 8507 47
16	Pair of lock washers		18	3361 8507 48
17	Flange half		4	3361 8532 08
18	Lock ring		1	3362 3280 72
19	Allen screw		4	3362 3281 17
20	Cap		2	3363 0888 51
21	Lock ring		2	3363 0351 07
22	Cap		1	3363 0699 11
23	Threaded plug		2	3363 0700 84
24	Disk		2	3363 0700 88
25	Plate		3	3363 0824 55
26	Bolt		1	3363 0824 91
27	Plate		1	3363 1127 32
28	Allen screw		1	3363 1119 08
29	Bolt		1	3363 0864 39
30	Cutter blade		1	3363 0864 55
31	Hexagon nut		1	3363 0876 12
32	Hexagon nut		4	3363 0876 19
34	Plate		1	3363 0882 69
35	Guide part		1	3363 0883 85
36	Support		1	3363 0883 87
37	Guide part		2	3363 0883 89
38	Allen screw		8	3360 0265 18
43	Plug		2	3361 0319 56
45	Hydraulic hose		1	3363 1119 15
46	Hydraulic hose		1	3363 1122 18
47	Hose connection		2	3363 0830 83
55	Rapid movement valve		1	3363 1036 91
56	Allen screw		4	3363 0910 92
57	Spring dowel sleeve		2	3363 0981 04
92	Shim	0.2 mm (0.01 in.) thick, as required	1	3363 0924 03
93	Shim	1.0 mm (0.04 in.) thick, as required	1	3363 0910 26
95	Lifting eye	professional welding process necessary	1	3363 1119 94
96	Wear block	block with three pieces professional welding process necessary	2	3363 0969 99
97	Wear block	block with four pieces, cut to needed size necessary professional welding process necessary	13	3363 1001 39
100	Pulverizer jaw complete	see separate chapter	1	3363 1127 30
200	Hydraulic cylinder	see separate chapter	1	3363 1127 31

Bulk pulverizer BP 3050 rotating



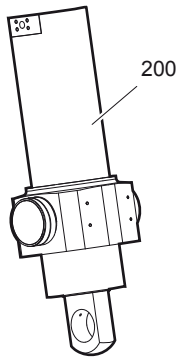
No.	Description	Remark	Quantity	Part number
1	Housing		1	3363 1117 16
4	Protective sheath		1	3363 1127 33
5	Allen screw		8	3360 1037 45
6	Hexagon head bolt		20	3360 1051 41
7	Allen screw		3	3360 1060 79
8	Allen screw		2	3360 1060 92
9	Allen screw		44	3360 1060 98
10	Allen screw		24	3360 0265 13
11	Grease nipple		3	3360 2098 34
12	O-ring		4	3360 3143 70
13	Pair of lock washers		23	3361 3337 03
14	Pair of lock washers		8	3361 8507 45
15	Pair of lock washers		21	3361 8507 47
16	Pair of lock washers		50	3361 8507 48
17	Flange half		8	3361 8532 08
18	Lock ring		1	3362 3280 72
19	Allen screw		4	3362 3281 17
20	Cap		2	3363 0888 51
21	Lock ring		2	3363 0351 07
22	Cap		1	3363 0699 11
23	Threaded plug		2	3363 0700 84
24	Disk		2	3363 0700 88
25	Plate		3	3363 0824 55
26	Bolt		1	3363 0824 91
27	Plate		1	3363 1127 32
28	Allen screw		1	3363 1119 08
29	Bolt		1	3363 0864 39
30	Cutter blade		1	3363 0864 55
31	Hexagon nut		1	3363 0876 12
32	Hexagon nut		4	3363 0876 19
34	Plate		1	3363 0882 69
35	Guide part		1	3363 0883 85
36	Support		1	3363 0883 87
37	Guide part		2	3363 0883 89
49	Allen screw		20	3363 0830 03
50	Blind flange	with 4 times No. 10	2	3363 0340 40
51	Rotary shaft seal		1	3363 0700 83
52	Hydraulic hose		1	3363 1119 59
53	Hydraulic hose		1	3363 1122 17
54	Plate		1	3363 1119 63
55	Rapid movement valve		1	3363 1036 91
56	Allen screw		4	3363 0910 92
57	Spring dowel sleeve		2	3363 0981 04
92	Shim	0.2 mm (0.01 in.) thick, as required	1	3363 0924 03
93	Shim	1.0 mm (0.04 in.) thick, as required	1	3363 0910 26
95	Lifting eye	professional welding process necessary	1	3363 1119 94
96	Wear block	block with three pieces professional welding process necessary	2	3363 0969 99
97	Wear block	block with four pieces, cut to needed size necessary professional welding process necessary	13	3363 1001 39
100	Pulverizer jaw complete	see separate chapter	1	3363 1127 30
200	Hydraulic cylinder	see separate chapter	1	3363 1127 31
650	Upper part complete	see separate chapter	1	3363 1041 75

Pulverizer jaw

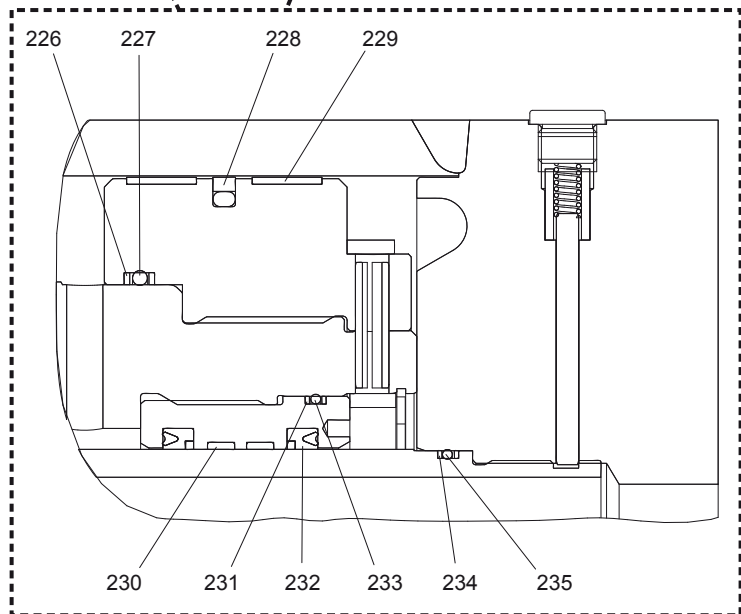
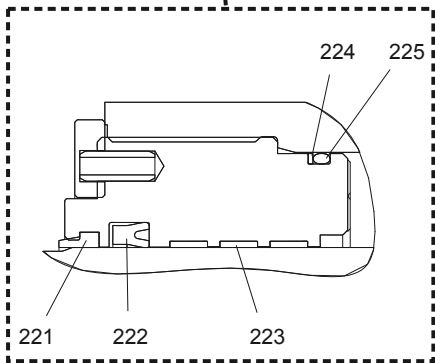
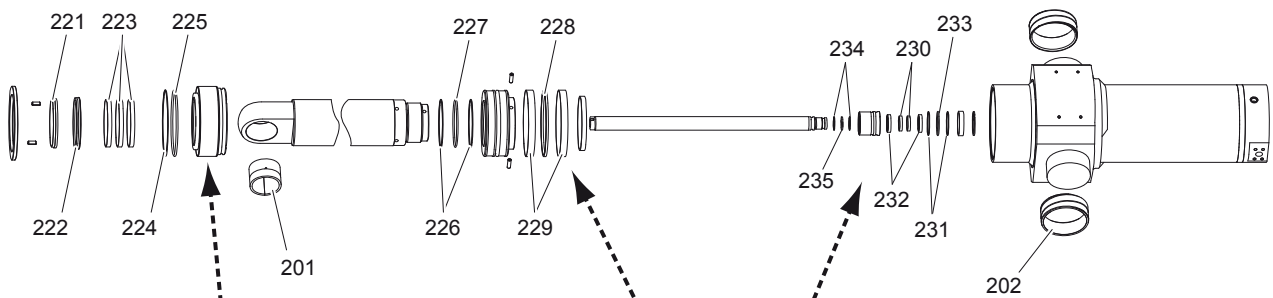


No.	Description	Remark	Quantity	Part number
100	Pulverizer jaw complete	with parts No. 102 to 113	1	3363 1127 30
102	Bearing bush		1	3363 0698 65
103	Bearing bush		1	3363 0698 67
104	Disk		2	3363 0700 89
105	Lock ring		2	3363 0351 07
106	Cutter blade		1	3363 0864 55
107	Lock pin		2	3363 0864 41
109	Pair of lock washers		2	3361 8507 48
110	Allen screw		2	3360 1060 92
111(112-114)	Tooth plate complete		1	3363 1124 68
112	Pair of lock washers		6	3361 8507 47
113	Hexagon head bolt		6	3363 1118 71
114	Tooth plate	with parts No. 196 and 197	1	-
115	Grease nipple		1	3360 2098 34
190	Spacer ring	0.2 mm (0.01 in.) thick, as required	1	3363 1118 84
191	Spacer ring	0.5 mm (0.02 in.) thick, as required	1	3363 0700 90
192	Shim	0.2 mm (0.01 in.) thick, as required	1	3363 0924 03
193	Shim	1.0 mm (0.04 in.) thick, as required	1	3363 0910 26
194	Label tightening torque	German/English	1	3362 2687 51
195	Label tightening torque	Spanish/French	1	3363 0667 50
196	Wear block	block with three pieces professional welding process necessary	6	3363 0969 99
197	Wear block	block with four pieces, cut to needed size necessary professional welding process necessary	2	3363 1001 39

Hydraulic cylinder

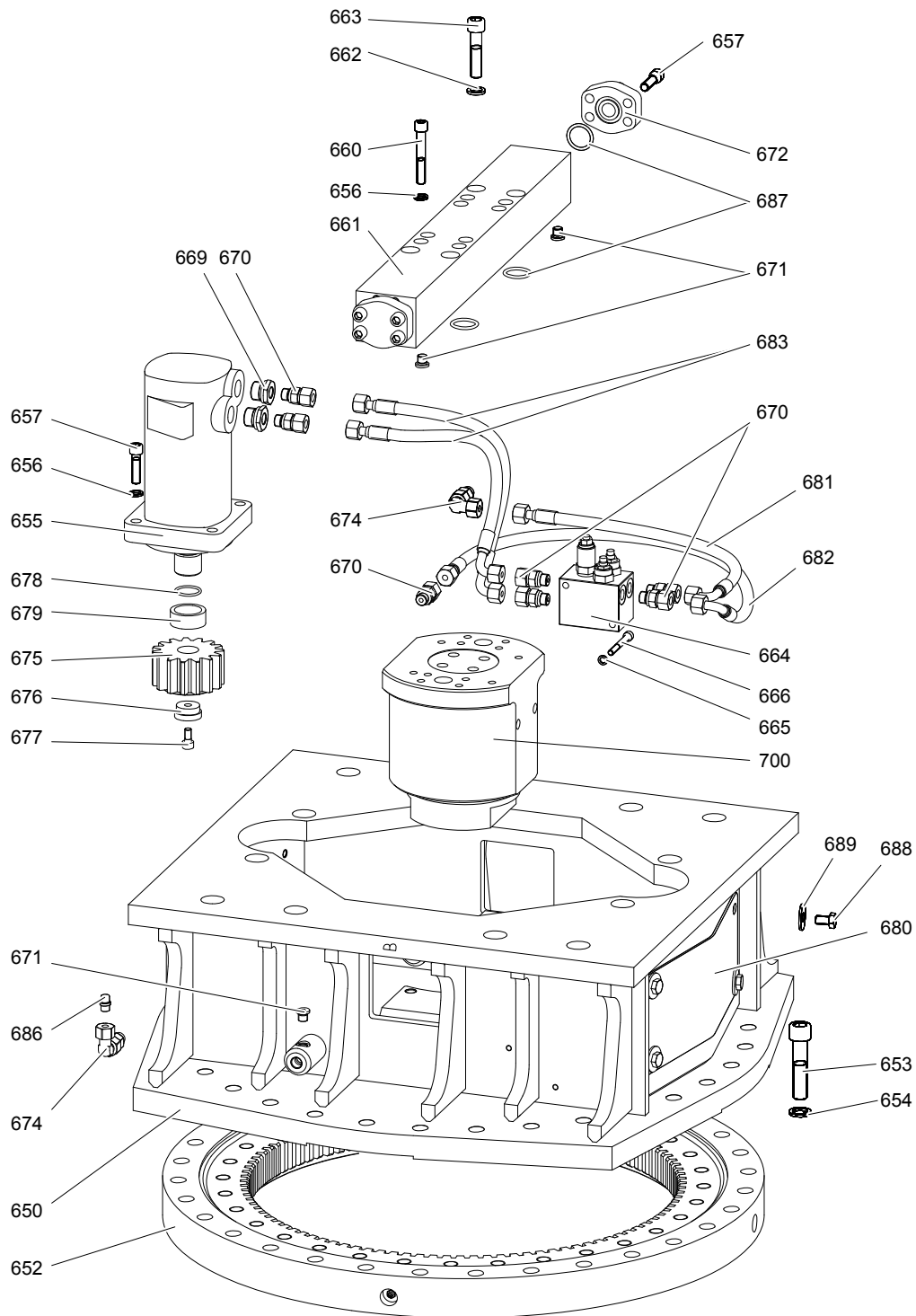


220														
221	222	223	224	225	226	227	228	229	230	231	232	233	234	235



No.	Description	Remark	Quantity	Part number
200	Hydraulic cylinder	with parts No. 201 to 235	1	3363 1127 31
201	Clamping bush		1	3363 1129 70
202	Clamping bush		2	3363 0698 73
220(221-235)	Seal kit		1	3363 1129 87
221	Wiper		1	-
222	Seal		1	-
223	Guide ring		3	-
224	Back-up ring		1	-
225	O-ring		1	-
226	Back-up ring		2	-
227	O-ring		1	-
228	Seal		1	-
229	Guide ring		2	-
230	Guide ring		2	-
231	Back-up ring		2	-
232	Seal		2	-
233	O-ring		1	-
234	Back-up ring		2	-
235	O-ring		1	-

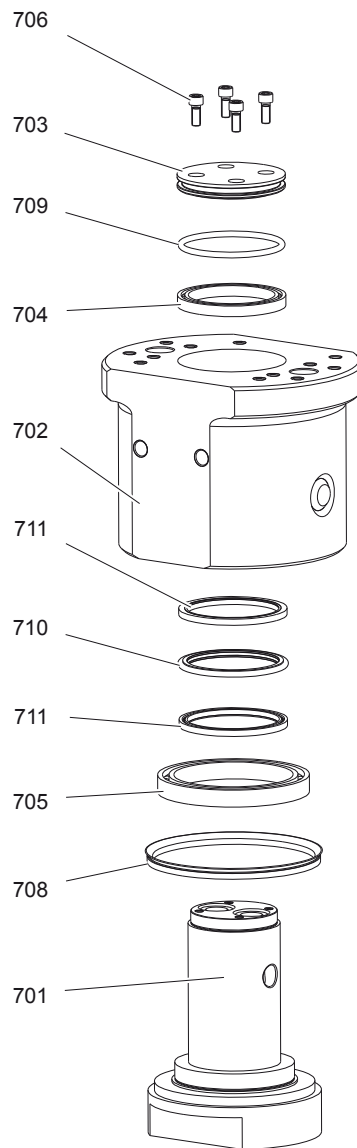
Upper part complete



No.	Description	Remark	Quantity	Part number
650	Upper part complete	with parts No. 652 to 700	1	3363 1041 75
652	Four point bearing		1	3363 0700 82
653	Allen screw		28	3360 1060 99
654	Pair of lock washers		28	3361 8507 48
655	Hydraulic motor		1	3363 0989 67
656	Pair of lock washers		12	3361 8505 96
657	Allen screw		12	3360 0265 13
660	Allen screw		8	3360 1184 43
661	Connection plate		1	3363 1041 73
662	Pair of lock washers		4	3361 3337 03
663	Allen screw		4	3360 0266 46
664	Valve block		1	3362 2667 12
665	Pair of lock washers		2	3361 8507 43
666	Allen screw		2	3360 1037 38
669	Fitting		2	3362 2674 35
670	Fitting		7	3360 4783 33
671	Threaded plug		4	3360 4784 39
672	Blind flange		2	3363 0340 40
674	Fitting		3	3363 0919 12
675	Spur pinion		1	3362 2608 07
676	Ring		1	3363 0883 27
677	Allen screw		1	3361 0319 81
678	O-ring		1	3360 3133 04
679	Ring		1	3362 2658 69
680	Cover sheet		2	3363 1041 71
681	Hydraulic hose		1	3363 0839 70
682	Hydraulic hose		1	3363 0858 84
683	Hydraulic hose		2	3363 0858 85
686	Plug		2	3360 3145 93
687	O-ring		4	3360 3143 70
688	Hexagon head screw		8	3360 4333 81
689	Washer		8	3362 3280 82
700	Rotary transmission	see separate chapter	1	3363 0336 85

Rotary transmission

700						
701	702	703	704	705	706	707



707			
708	709	710	711

No.	Description	Remark	Quantity	Part number
700(701-706,707)	Rotary transmission		1	3363 0336 85
701	Rotor		1	3363 0343 16
702	Stator		1	3363 0343 17
703	Cap		1	3363 0343 18
704	Ball bearing		1	3363 0343 19
705	Ball bearing		1	3363 0343 20
706	Allen screw		4	3363 0343 25
707(708-711)	Seal kit		1	3363 0830 66
708	V-ring		1	-
709	O-ring		1	-
710	Slide ring		1	-
711	Seal		2	-

Tightening torques

No.	Description	Tightening torque	Remark
5	Allen screw	44 + 5 Nm	
6	Hexagon head bolt	180 + 5 Nm	
7	Allen screw	255 + 30 Nm	
8	Allen screw	530 + 30 Nm	
9	Allen screw	530 + 30 Nm	
10	Allen screw	100 + 10 Nm	
19	Allen screw	530 + 30 Nm	
31	Hexagon nut	530 + 30 Nm	
32	Hexagon nut	530 + 30 Nm	
38	Allen screw	100 + 10 Nm	
110	Hexagonal nut	530 + 30 Nm	
113	Hexagon head bolt	1000 + 30 Nm	
653	Allen screw	530 + 30 Nm	
657	Allen screw	75 + 10 Nm	
660	Allen screw	75 + 10 Nm	
663	Allen screw	180 + 20 Nm	
666	Allen screw	19 + 5 Nm	
669	Fitting	150 + 20 Nm	
670	Fitting	70 + 10 Nm	
674	Fitting	70 + 10 Nm	
677	Allen screw	70 + 5 Nm	fix with Loctite 243
688	Hexagon head bolt	75 + 10 Nm	

Accessories

Hydraulic hoses - non rotating

Open - Close

Description	Remark	Quantity	Part number
Hydraulic Hose	30S length 2300 mm (91 in.)	2	3360 9923 40
Hydraulic Hose	30S length 2800 mm (110 in.)	2	3361 8538 59

Hydraulic hoses - rotating

Open - Close

Description	Remark	Quantity	Part number
Hydraulic Hose	I.D. 25 (1"), flange SAE 90° - 6000 PSI / M 42x2, conical seal 24°, length 2300 mm (91 in.)	2	3363 0946 45
Hydraulic Hose	I.D. 25 (1"), flange SAE 90° - 6000 PSI / M 42x2, conical seal 24°, length 2800 mm (110 in.)	2	3363 0946 46

Rotation

Description	Remark	Quantity	Part number
Hydraulic Hose	I.D. 8 (3/8"), both ends M 20x1.5, conical seal 24°, length 2800 mm (110 in.)	2	3363 0317 67
Hydraulic Hose	I.D. 8 (3/8"), both ends M 20x1.5, conical seal 24°, length 3500 mm (138 in.)	2	3363 0343 99

Optional equipment

Description	Remark	Quantity	Part number
Chisel paste cartridge	12 x 400 g (0.88 lbs)	1	3363 0949 14
Grease gun		1	0909 1071 00
Adapter plate matching the carrier	Consult the Atlas Copco Customer Center/Dealer in your area.	1	-
Base plate with threaded inserts		1	3363 0997 95
Bolt kit		1	3363 0873 06
Base plate with through borings		1	3363 1006 99
Bolt kit		1	3363 0945 79
Allen key	22 mm for bolt kit	1	3360 2094 45

Kits

Label kit

No.	Description	Remark	Quantity	Part number
	Label kit		1	3363 1124 66

Cutter blades kit

No.	Description	Remark	Quantity	Part number
	Cutter blades kit		1	3363 1124 63
8	Allen screw		2	3360 1060 92
16	Pair of lock washers		2	3361 8507 48
21	Lock ring		2	3363 0351 07
30	Cutter blade		1	3363 0864 55
92	Shim	0.2 mm (0.01 in.) thick, as required	1	3363 0924 03
93	Shim	1.0 mm (0.04 in.) thick, as required	1	3363 0910 26
105	Lock ring		2	3363 0351 07
106	Cutter blade		1	3363 0864 55
109	Pair of lock washers		2	3361 8507 48
110	Allen screw		2	3360 1060 92
192	Shim	0.2 mm (0.01 in.) thick, as required	1	3363 0924 03
193	Shim	1.0 mm (0.04 in.) thick, as required	1	3363 0910 26

Seal kit (Hydraulic motor housing)

No.	Description	Remark	Quantity	Part number
	Seal kit (Hydraulic motor housing)		1	3363 0839 45

Seal kit (Hydraulic motor)

No.	Description	Remark	Quantity	Part number
	Seal kit (Hydraulic motor)		1	3363 0830 74

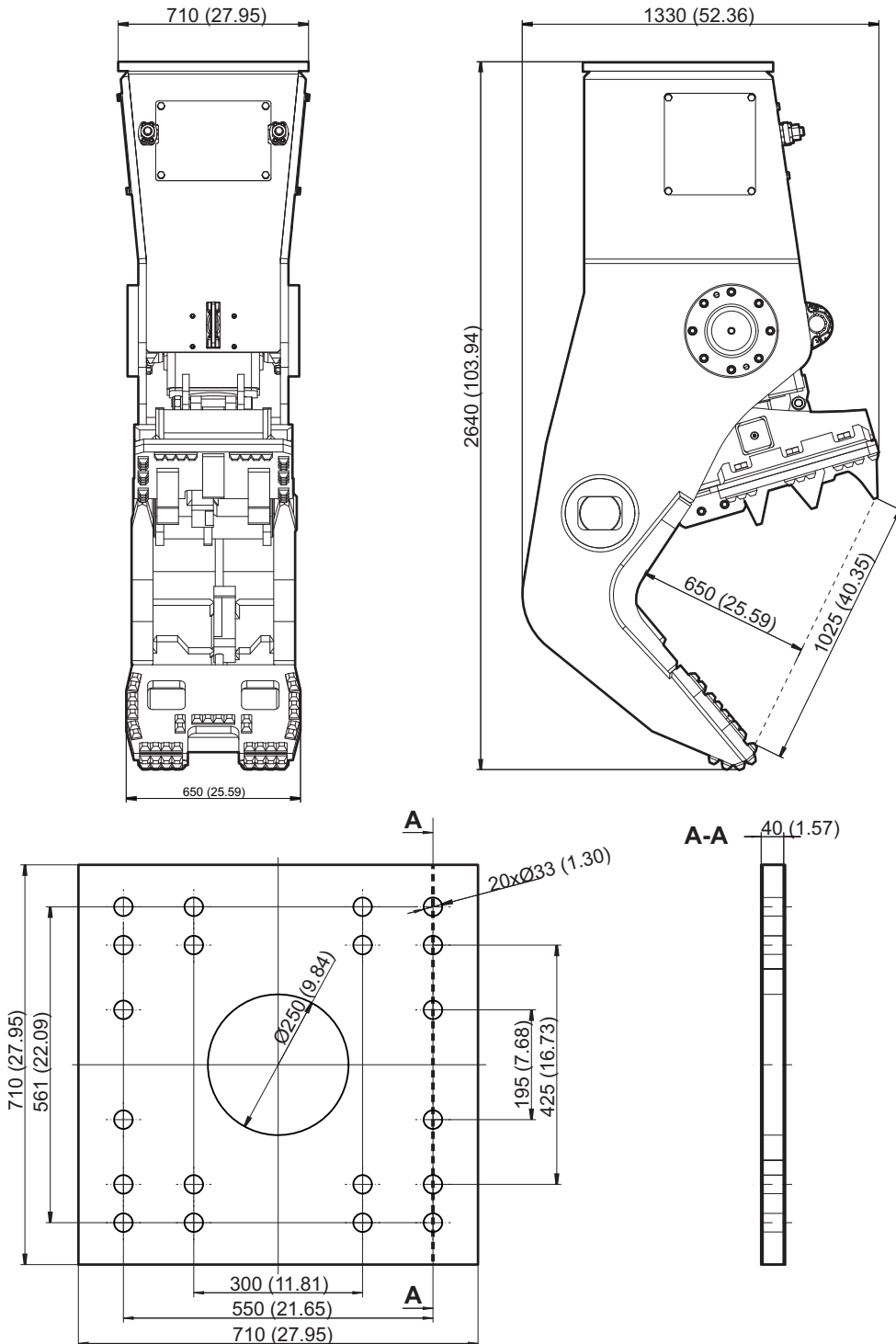
Seal kit for rapid movement valve

No.	Description	Remark	Quantity	Part number
	Seal kit		1	3363 1131 68

Dimensions

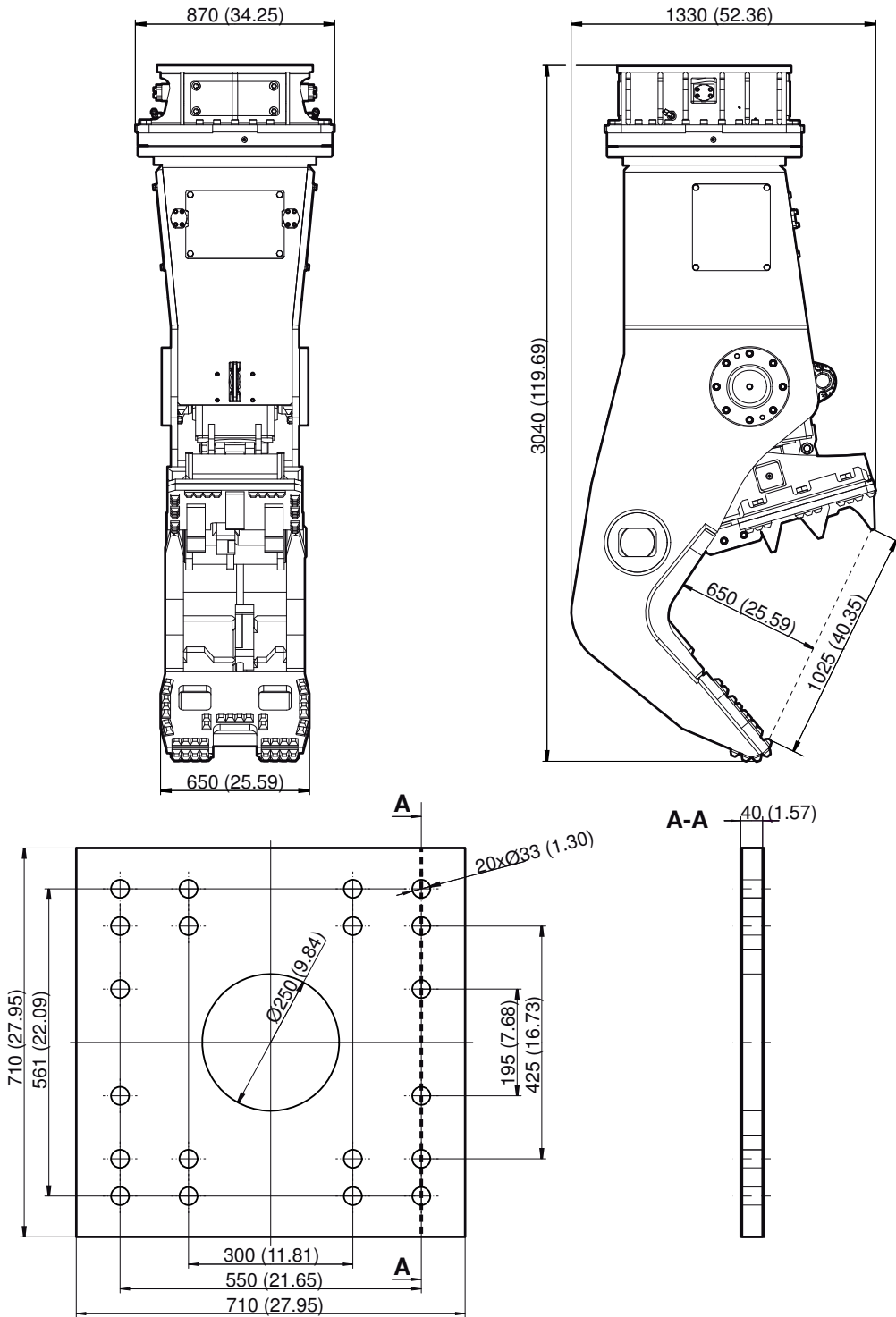
Dimensions BP 3050 non rotating

mm (inch)



Dimensions BP 3050 rotating

mm (inch)



Any unauthorized use or copying of the contents or any part thereof is prohibited.
This applies in particular to trademarks, model denominations, part numbers, and
drawings.

© 2013 Atlas Copco Construction Tools GmbH | No. 3390 7581 01 | 2013-04-17

Atlas Copco

www.atlascopco.com