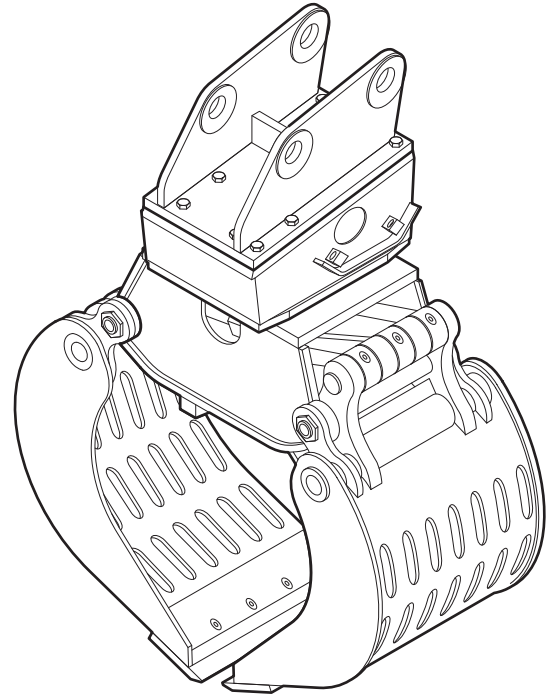


Spare Parts List MultiGrapple



Contents

General note	5
MultiGrapple	7
Hydraulic cylinder	9
Upper part	11
Set of stickers	12
Sets of seals	12
Set of blades	12
Connecting hoses	13
Optional equipment	13
Main dimensions	14
Connections	14

General note

This spare parts list applies to the following hydraulic tools:

Ordering number	Description
3363 0982 20	MultiGrapple MG 500

Use only authorized parts. Any damage or malfunction caused by the use of unauthorized parts is not covered by Warranty or Product Liability.

Any unauthorized use or copying of the contents or any part thereof is prohibited. This applies in particular to trademarks, model denominations, part numbers and drawings.

Instructions for use

This spare parts list contains no safety regulations and is merely intended to assist in the ordering of spare parts.

For information on operating, servicing or repairing the hydraulic tool, the relevant operating manual must be consulted at all costs.

Please observe the safety regulations listed in the relevant operating manual!

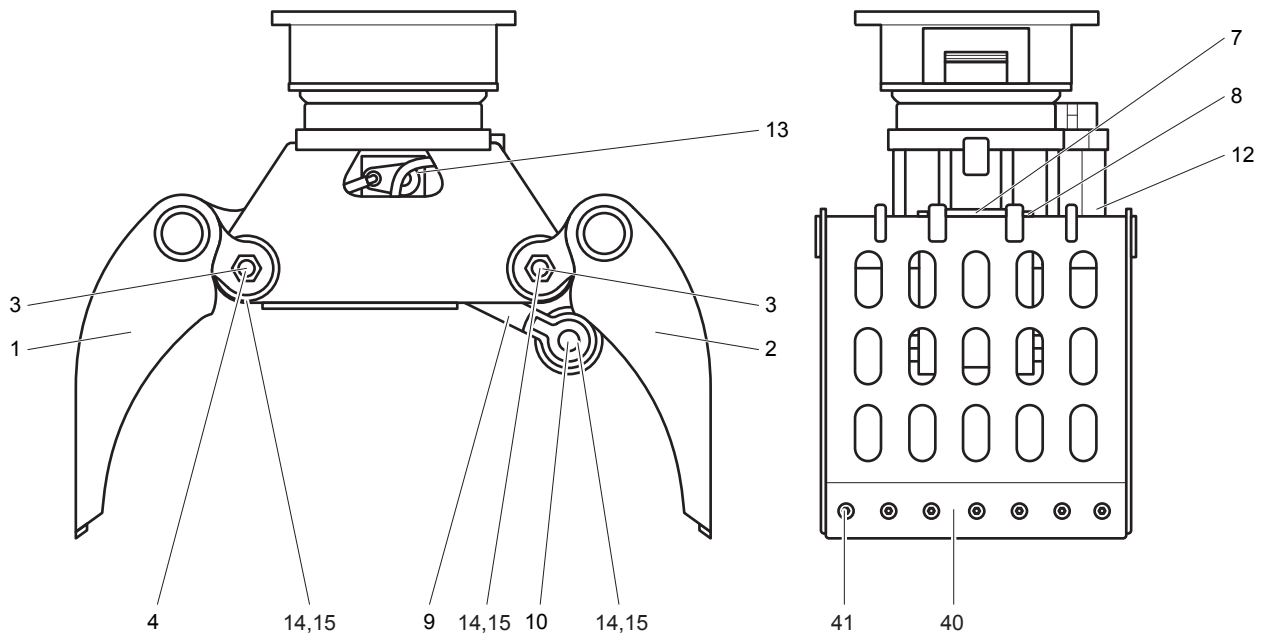
Instructions of ordering

It is essential to indicate the serial number of the hydraulic tool when ordering spare parts!

Determine the quantity of individual parts which are required and need to be ordered.

The order must indicate the following details:

- full identification code of the hydraulic tool
- required quantity
- ordering number
- description



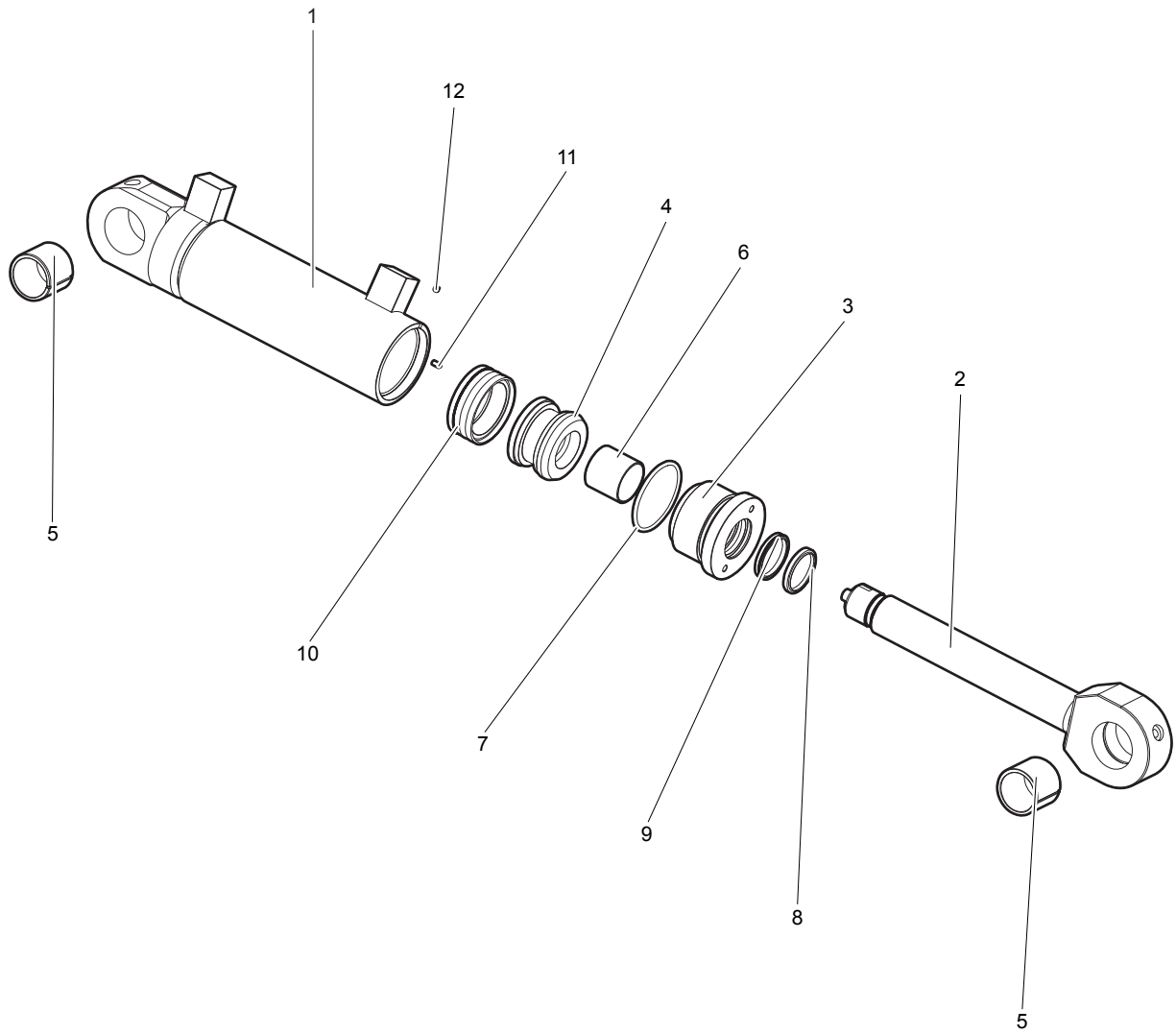
No.	Tightening torque	Description
-----	-------------------	-------------

41	300 Nm	
----	--------	--

MultiGrapple

No.	Ordering number	Quantity	Description
1	3363 1035 37	1	Grapple leaf, left
2	3363 1035 38	1	Grapple leaf, right
3	3363 1035 39	2	Bolt
4	3363 1035 40	4	Bearing bush
7	3363 1035 41	1	Hydraulic cylinder
8	3363 1035 42	1	Bolt
9	3363 1035 43	1	Linkage
10	3363 1035 44	1	Bolt
12	3363 1035 45	1	Cover
13	3363 1035 63	1	Hydraulic motor
14	3363 1035 46	1	Castle nut
15	3363 1035 47	1	Splint pin
40	3363 1035 48	1	Set of blades
41	3363 1035 49	2	Bolt kit
50	3363 1035 50	1	Rotary transmission, complete
-	3363 1035 80	2	Hydraulic hose DN 8, length 430 mm, connection between part no. 7 and housing
-	3363 1035 81	1	Hydraulic hose DN 6, length 350 mm, connection between part no. 13 and 50
-	3363 1035 82	1	Hydraulic hose DN 6, length 350 mm, connection between part no. 13 and 50

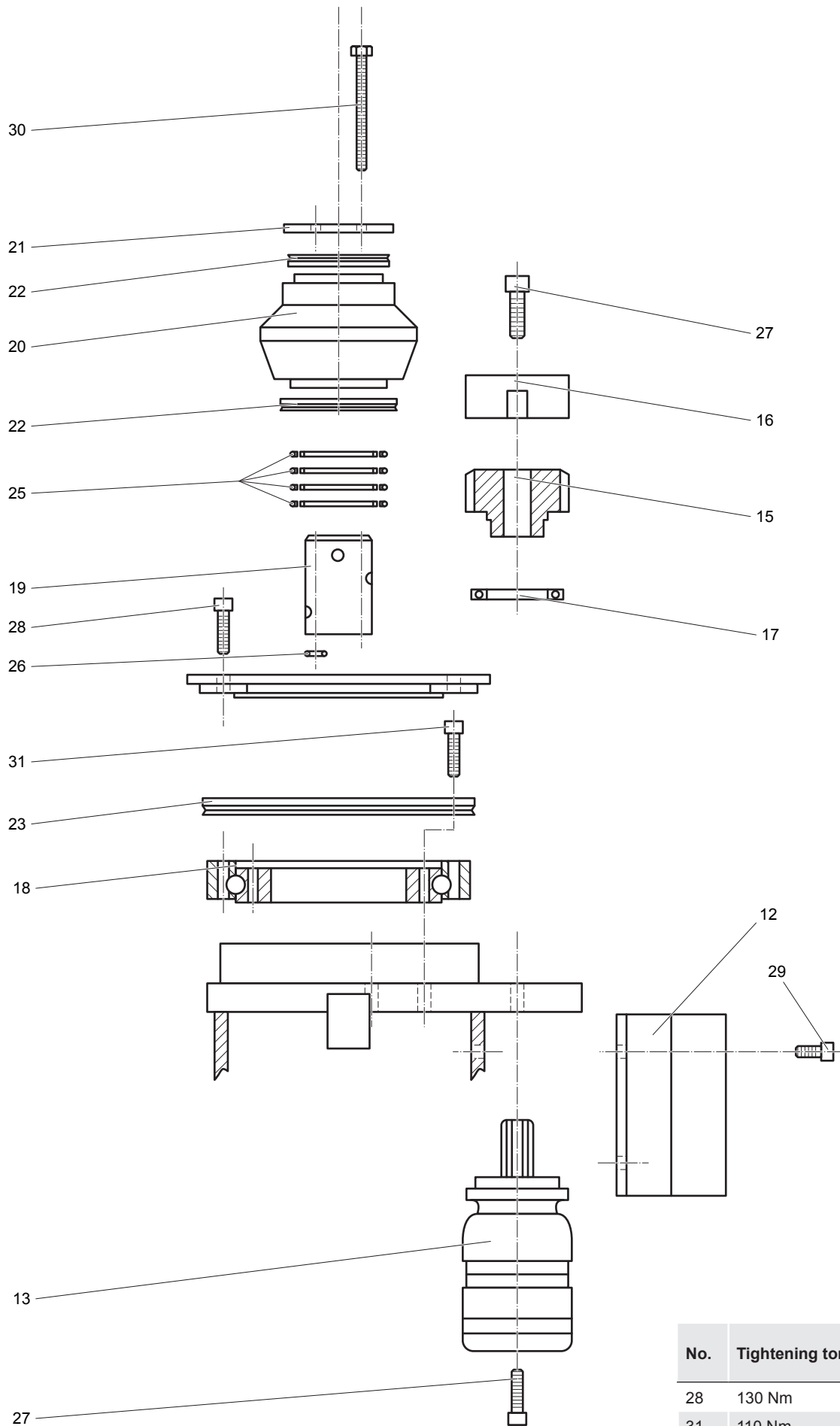
*) Not delivered separately



Hydraulic cylinder

No.	Ordering number	Quantity	Description
-	3363 1035 41	1	Hydraulic cylinder, complete
1	3363 1035 51	1	- Cylinder body
2	3363 1035 52	1	- Piston rod
3	3363 1035 53	1	- Cover
4	3363 1035 54	1	- Piston
5	3363 1035 55	2	- Bearing bush
6	3363 1035 56	1	- Guide bush
7	3363 1035 57	1	- O-ring
8	3363 1035 58	1	- Stripper
9	3363 1035 59	1	- Seal
10	3363 1035 60	1	- Piston packing
11	3363 1035 61	1	- Pin
12	3363 1035 62	1	- Pin

**) Not delivered separately*



No.	Tightening torque
28	130 Nm
31	110 Nm

Upper part

No.	Ordering number	Quantity	Description
12	3363 1035 45	1	Cover
13	3363 1035 63	1	Hydraulic motor
15	3363 1035 64	1	Pinion
16	3363 1035 65	1	Cover
17	3363 1035 66	1	Bearing
18	3363 1035 67	1	Live ring
19	3363 1035 68	1	Rotor
20	3363 1035 69	1	Stator
21	3363 1035 70	1	Cover
22	3363 1035 71	2	V-ring
23	3363 1035 72	1	V-ring
25	3363 1035 73	5	Seal
26	3363 1035 74	4	O-ring
27	3363 1035 75	4	Allen screw
28	3360 0266 44	12	Allen screw
29	3363 1035 76	4	Allen screw
30	3363 1035 77	2	Hexagonal head screw
31	3360 0265 18	12	Allen screw
-	3363 1035 50	1	Rotary transmission, complete (with part no. 19 - 22, 25, 26 and 30)

*) Not delivered separately

Set of stickers

No.	Ordering number	Quantity	Description
-	3363 0982 73	1	Set of stickers

Sets of seals

No.	Ordering number	Quantity	Description
-	3363 1035 78	1	Set of seals for hydraulic cylinder
7	3363 1035 57	1	- O-ring
8	3363 1035 58	1	- Stripper
9	3363 1035 59	1	- Seal
10	3363 1035 60	1	- Piston packing
-	3363 1035 79	1	Set of seals for rotary transmission
22	3363 1035 71	2	- V-ring
25	3363 1035 73	5	- Seal
26	3363 1035 74	4	- O-ring

Set of blades

No.	Ordering number	Quantity	Description
-	3363 0982 81	1	Set of blades
40	3363 1035 48	1	- Set of blades
41	3363 1035 49	2	- Bolt kit

Connecting hoses

Opening - closing

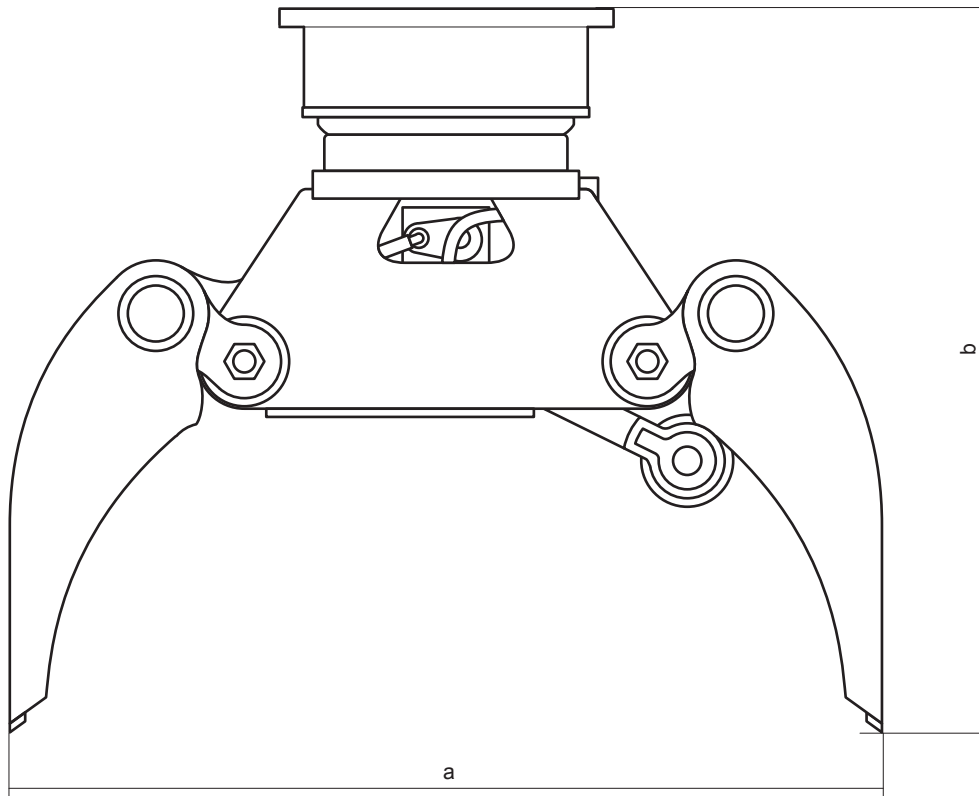
No.	Ordering number	Quantity	Description
-	3363 0945 40	2	Hydraulic hose, I. D. 10 both ends M 20 x 1,5, conical seal 24°, length 2000 mm

Rotating

No.	Ordering number	Quantity	Description
-	3363 0945 41	2	Hydraulic hose, I. D. 8, both ends M 16 x 1,5, conical seal 24°, length 2000 mm

Optional equipment

No.	Ordering number	Quantity	Description
-	0909 1071 00	1	Grease gun
-	3363 0949 14	1	Grease cartridge 400 g (carton of 12 pieces)
-	3315 2039 00	1	Base plate with through borings, up to serial number 126
-	3315 2655 93	1	Bolt kit, up to serial number 126
-	3315 3566 00	1	Base plate with through borings, from serial number 127 on
-	3315 3653 60	1	Bolt kit, from to serial number 127 on
-	3360 4306 55	1	Open end spanner 24/27 mm for bolt kit



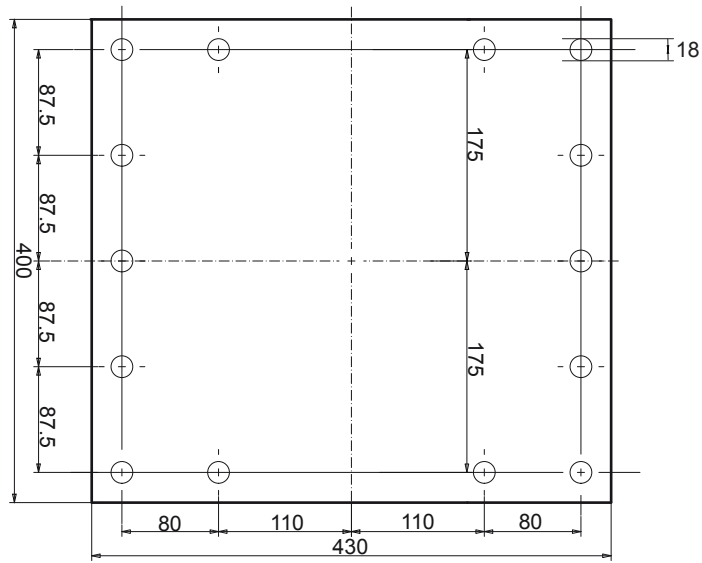
Main dimensions

a [mm]	b [mm]	Leaf width [mm]	Weight [kg]
1500	900	700	400

Connections

A = Open
B = Close
R = Rotation

Hole pattern, up to serial number 126



Hole pattern, from serial number 127 on

