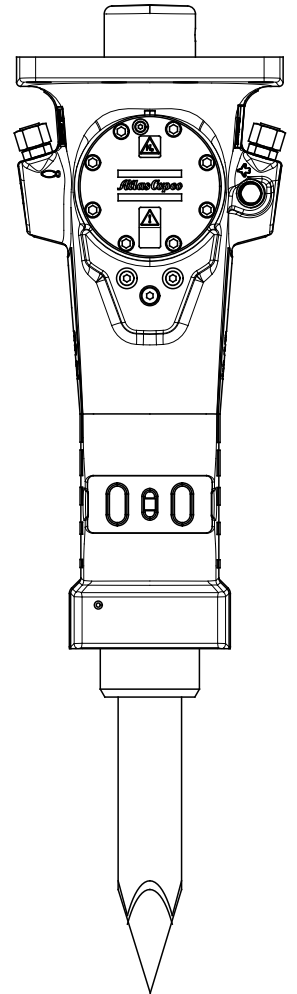


Spare parts list Hydraulic breakers

	Valid from serial number
SB 452	BES11011



Contents

General information	5
Spare parts list	6
Optional parts	10
Bushing oversize, complete.....	10
Restrictor, complete.....	12
Tightening torque	14
Working tools	15
Accessories	17
Optional equipment	17
Hydraulic hoses	17
Kits	18
Label kit	18
Seal kit	19
Lower hammer part kit	20
Accumulator repair kit	21
Dimensions	22

General information

This spare parts list applies to the following:

Part number	Description
8460 0300 70	Hydraulic breaker SB 452

Use only authorized parts. Any damage or malfunction caused by the use of unauthorized parts is not covered by Warranty or Product Liability. Any unauthorized use or copying of the contents or any part thereof is prohibited. This applies in particular to trademarks, model denominations, part numbers, and drawings.

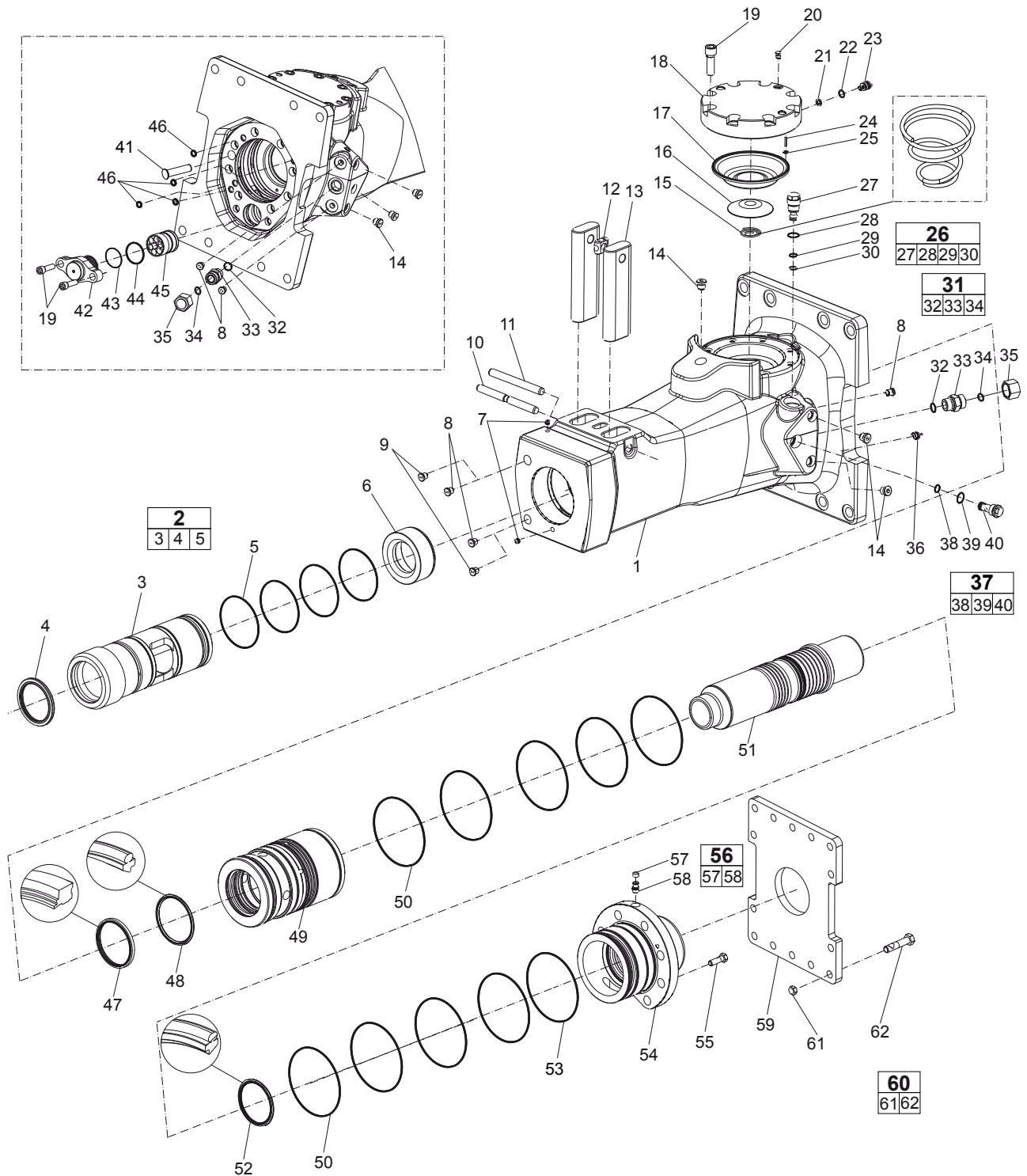
Instructions for use

This spare parts list contains no safety regulations and is merely intended to assist in the ordering of spare parts.

For information about operating, servicing, or repairing, the relevant Safety and operating instructions must be consulted at all costs.

Please observe the safety instructions listed in the relevant Safety and operating instructions!

Spare parts list

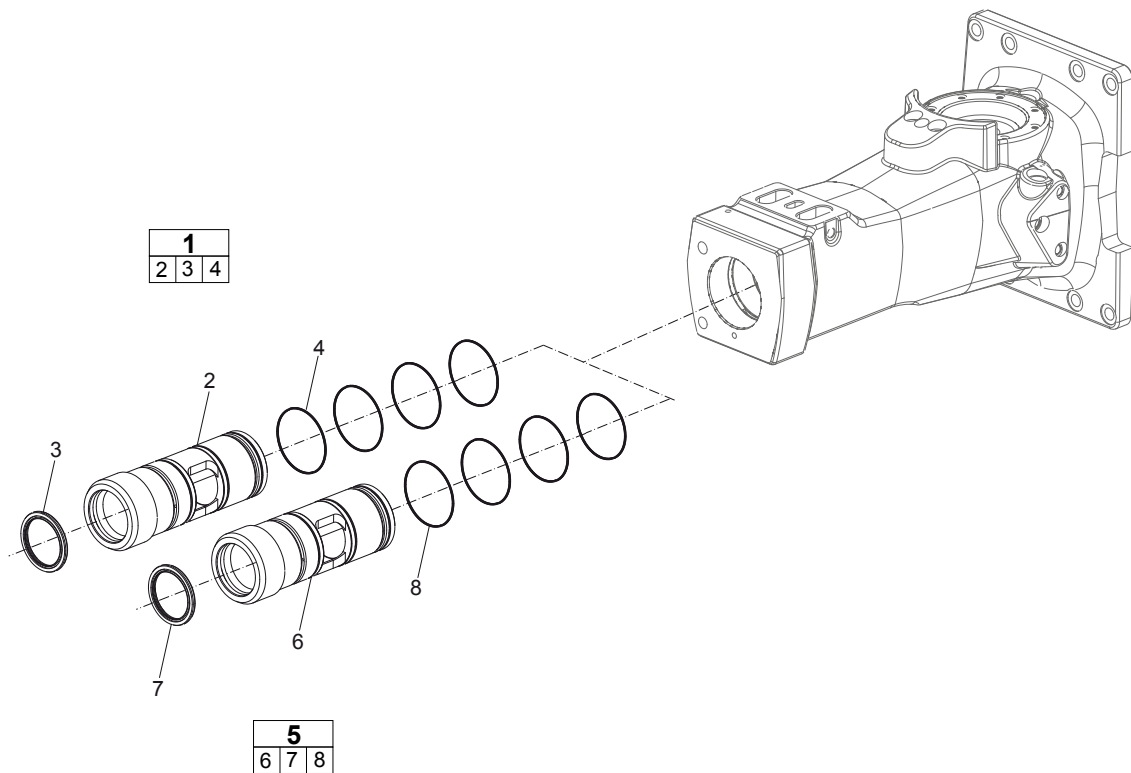


No.	Description	Remark	Quantity	Part number
1	Breaker body		1	-
2(3-5)	Bushing standard, complete	For oversize bushings, see section "Bushing oversize, complete".	1	3315 3124 80
3	Bushing	Ø129 mm Ø5.08 in.	1	-
4	Scraper ring		1	3315 3536 00
5	O-ring	Flourcarbon rubber 114.5 x 3 mm 4.5 x 0.12 in.	4	0663 7147 00
6	Stop ring		1	3315 3123 00
7	Plug		2	-
8	Plug	VSTI G ¼ - ED	5	0686 6442 07
9	Water nozzle, option		2	3315 3952 00
10	Lock pin		1	3315 1558 00
11	Spring pin, option	16 x 180 mm 0.63 x 7.09 in.	1	0108 1691 29
12	Lock buffer		1	-
13	Tool retainer		2	3315 1557 00
14	Plug	VSTI G ¾ - ED	6	0686 3718 01
15	Coil spring		1	3315 3035 00
16	Diaphragm support		1	3315 3032 01
17	Diaphragm		1	3315 3033 00
18	Accumulator house		1	3315 3031 00
19	Hexagon socket screw	Screw with extra high fatigue strength.	10	0211 1965 44
20	Plug	VSTI R ¼ - ED	1	0686 3718 05
21	Seal ring		1	3115 3290 02
22	O-ring	13.3 x 2.4 mm 0.52 x 0.09 in. (70 shore)	1	0663 2120 00
23	Charge valve		1	3315 3660 00
24	Parallel pin	D6 x 25 mm	1	0101 4140 00
25	O-ring	7.3 x 2.4 mm 0.29 x 0.09 in. (70 shore)	1	0663 2114 00
26(27-30)	Pressure relief valve, complete		1	3315 3658 00
27	Pressure relief valve		1	-
28	O-ring	20.35 x 1.78 mm 0.80 x 0.07 in. (90 shore)	1	9125 6211 00
29	O-ring	14 x 1.78 mm 0.55 x 0.07 in. (90 shore)	1	0663 2104 21
30	Back-up ring		1	0661 2004 01
31(32-34)	Nipple, complete	There are two "Nipple, complete" on the machine.	1	0570 7000 04
32	Seal ring		1	0664 0000 04
33	Nipple		1	-
34	O-ring	18.77 x 1.78 mm 0.74 x 0.07 in. (90 shore)	1	0663 2102 17
35	Cap		2	0570 7000 10
36	Grease nipple		1	0544 2153 00
37(38-40)	Restrictor standard, complete	For more restrictors, see section "Restrictors, complete".	1	3315 3696 53
38	O-ring	14 x 1.78 mm 0.55 x 0.07 in. (90 shore)	1	0663 2104 21
39	O-ring	20.35 x 1.78 mm 0.80 x 0.07 in. (90 shore)	1	9125 6211 00
40	Restrictor, standard	Ø7.5 mm Ø0.30 in.	1	-
41	Plug		1	3315 3367 00
42	Valve cover		1	3315 3628 00

No.	Description	Remark	Quantity	Part number
43	O-ring	47.29 x 2.62 mm Polyuretan 1.86 x 0.10 in.	1	0663 2114 91
44	Seal ring		1	0663 9900 26
45	Control valve		1	3315 3121 00
46	Seal ring		4	0665 0900 14
47	Wiper		1	0665 9099 50
48	Piston rod seal		1	0665 0701 47
49	Liner		1	3315 3120 00
50	Seal ring		9	0663 9900 32
51	Piston		1	3315 3119 00
52	Piston rod seal		1	0665 0701 48
53	O-ring	145.72 x 2.62 mm 5.7 x 0.10 in. (70 shore)	1	0663 2104 17
54	Back head		1	3315 3126 00
55	Hexagon head screw	M20 x 70 mm 8.8 FZB	8	0147 1555 03
56(57-58)	Check valve, complete		1	3315 2448 81
57	Valve rubber		1	3315 2808 00
58	Check valve		1	-
59	Base plate, option		1	3315 3077 00
60(61-62)	Set of screws, complete		1	3315 3238 90
61	Nut	M20	8	-
62	Screw	M20 x 90 mm	8	-

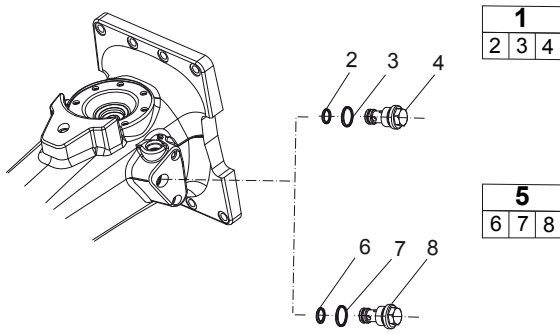
Optional parts

Bushing oversize, complete



No.	Description	Remark	Quantity	Part number
1(2-4)	Bushing oversize, complete		1	3315 3124 60
2	Bushing	Ø130.5 mm Ø5.14 in.	1	-
3	Scraper ring		1	3315 3536 00
4	O-ring	119.5 x 3 mm 4.70 x 0.12 in.	4	0663 2108 23
5(6-8)	Bushing oversize, complete		1	3315 3124 63
6	Bushing	Ø132 mm Ø5.20 in.	1	-
7	Scraper ring		1	3315 3536 00
8	O-ring	119.5 x 3 mm 4.70 x 0.12 in.	4	0663 2108 23

Restrictor, complete



No.	Description	Remark	Quantity	Part number
1(2-4)	Restrictor, complete		1	3315 3696 35
2	O-ring	14 x 1.78 mm 0.55 x 0.07 in. (90 shore)	1	0663 2104 21
3	O-ring	20.35 x 1.78 mm 0.80 x 0.07 in. (90 shore)	1	9125 6211 00
4	Restrictor	Ø6.0 mm Ø0.24 in.	1	-
5(6-8)	Restrictor, complete		1	3315 3696 45
6	O-ring	14 x 1.78 mm 0.55 x 0.07 in. (90 shore)	1	0663 2104 21
7	O-ring	20.35 x 1.78 mm 0.80 x 0.07 in. (90 shore)	1	9125 6211 00
8	Restrictor	Ø6.7 mm Ø0.26 in.	1	-

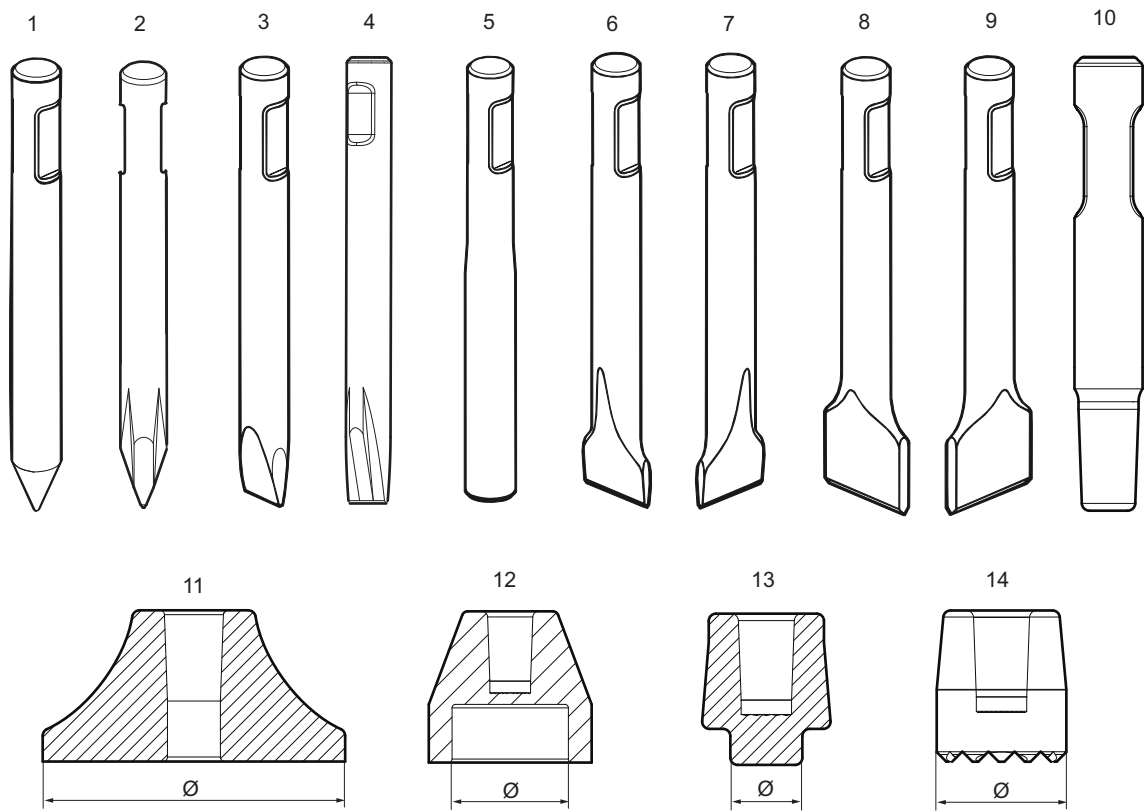
Tightening torque

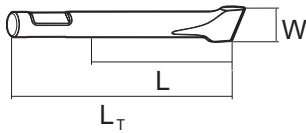
No.	Description	Tightening torque	Remark
8	Plug	30 Nm	LOCTITE® 243™
14	Plug	80 Nm	LOCTITE® 243™
19	Hexagon socket screw	300 Nm	Molykote®
20	Plug	20 Nm	
23	Charge valve	27 Nm	
27	Pressure relief valve	80 Nm	
33	Nipple	210 Nm	
36	Grease nipple	30 Nm	
40	Restrictor standard	80 Nm	
55	Hexagon head screw	315 Nm	Molykote®
58	Check valve	30 Nm	LOCTITE® 243™
61	Nut	400 Nm	Molykote®

LOCTITE is a registered trademark of Henkel Corporation. 243 is a trademark of Henkel Corporation.

Molykote is a registered trademark of Dow Corning Corporation.

Working tools



**Metric**

No.	Description	W (mm)	L (mm)	L _T (mm)	Wt (kg)	Part number
1	Moil point	-	465	840	40	3083 3177 00
2	Moil point (X-profile)	-	465	840	39	3363 0982 56
3	Chisel (cross)	95	465	840	43	3083 3178 00
4	Chisel (X-profile)	95	465	840	40	3363 0982 57
5	Blunt tool	-	465	840	40	3083 3188 00
6	Wide chisel (cross)	180	425	800	40	3083 3179 00
7	Wide chisel (parallel)	180	425	800	40	3083 3409 36
8	Asphalt cutter (cross)	200	435	830	39	3083 3198 01
9	Asphalt cutter (parallel)	200	435	830	39	3083 3198 00
10	Shaft	-	-	700	37	3315 3704 00
11	Tamping pad (square)	Ø400	-	-	80	3315 3712 00
12	Post driver pad (round)	Ø200	-	-	33	3315 3720 00
13	Pile driver pad (round)	Ø150	-	-	26	3315 3726 00
14	Bushing pad (round)	Ø190	-	-	30	3315 3732 00

Imperial

No.	Description	W (in.)	L (in.)	L _T (in.)	Wt (lb)	Part number
1	Moil point	-	18.3	33.1	88	3083 3177 00
2	Moil point (X-profile)	-	18.3	33.1	86	3363 0982 56
3	Chisel (cross)	3.8	18.3	33.1	95	3083 3178 00
4	Chisel (X-profile)	3.8	18.3	33.1	88	3363 0982 57
5	Blunt tool	-	18.3	33.1	88	3083 3188 00
6	Wide chisel (cross)	7	16.7	31.5	88	3083 3179 00
7	Wide chisel (parallel)	7	16.7	31.5	88	3083 3409 36
8	Asphalt cutter (cross)	7.9	17.1	32.7	86	3083 3198 01
9	Asphalt cutter (parallel)	7.9	17.1	32.7	86	3083 3198 00
10	Shaft	-	-	27.6	82	3315 3704 00
11	Tamping pad (square)	Ø15.7	-	-	176	3315 3712 00
12	Post driver pad (round)	Ø7.9	-	-	73	3315 3720 00
13	Pile driver pad (round)	Ø5.9	-	-	57	3315 3726 00
14	Bushing pad (round)	Ø7.5	-	-	66	3315 3732 00

Accessories

Optional equipment

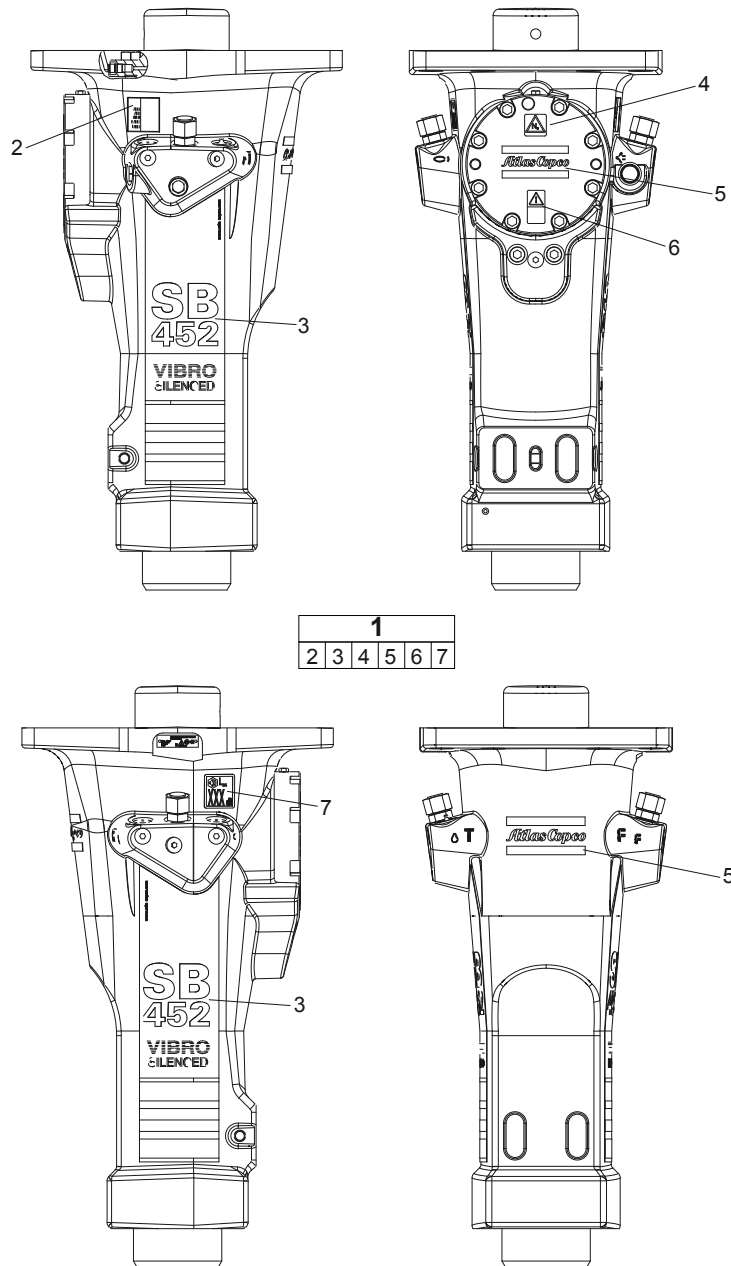
Description	Remark	Quantity	Part number
Grease gun	For manual greasing with cartridge, 400 g (0.88 lb)	1	0909 1071 00
Chisel paste cartridge	400 g x 12 0.88 lb x 12	1	3363 0949 13
ContiLube™ II micro		1	3315 3831 90
Welding kit, universal	For ContiLube™ II micro	1	3315 3867 80
Hose kit, universal	For ContiLube™ II micro	1	3315 3862 80
Chisel paste cartridge	150 g x 12 0.33 lb x 12	1	3363 1064 47
Filling device	For the 150 g (0.33 lb) Chisel paste cartridges, to use in combination with Chisel paste container 15 kg (33 lb)	1	3363 0946 69
Filling adapter	For the 150 g (0.33 lb) Chisel paste cartridges, suitable with the filling device for 15 kg (33 lb) and 45 kg (99 lb)	1	3315 3839 80
Filling device	For the 150 g (0.33 lb) Chisel paste cartridges, to use in combination with Chisel paste container 45 kg (99 lb)	1	3363 0664 11
Chisel paste container	15 kg 33 lb	1	3362 2639 00
Chisel paste container	45 kg 99 lb	1	3362 2632 75
Filling device for accumulator		1	3360 9204 15
Nipple, for charging the accumulator		1	3363 0944 59
Filling hose, for charging the accumulator		1	3361 3298 03
Bushing wear controller		1	3315 3531 00

Hydraulic hoses

Description	Remark	Quantity	Part number
Hose	I.D. 16 (0.63 in.), both ends M26 x 1.5 mm conical seal 24°, length 1.5 m (59 in.)	2	3360 9957 17
Hose	I.D. 16 (0.63 in.), both ends M26 x 1.5 mm conical seal 24°, length 2.0 m (79 in.)	2	3362 2351 59
Hose	I.D. 16 (0.63 in.), both ends M26 x 1.5 mm conical seal 24°, length 2.4 m (94 in.)	2	3363 0833 13
Additional fitting kit	Needed to fit two hoses to the hydraulic breaker	1	3363 0980 19

Kits

Label kit

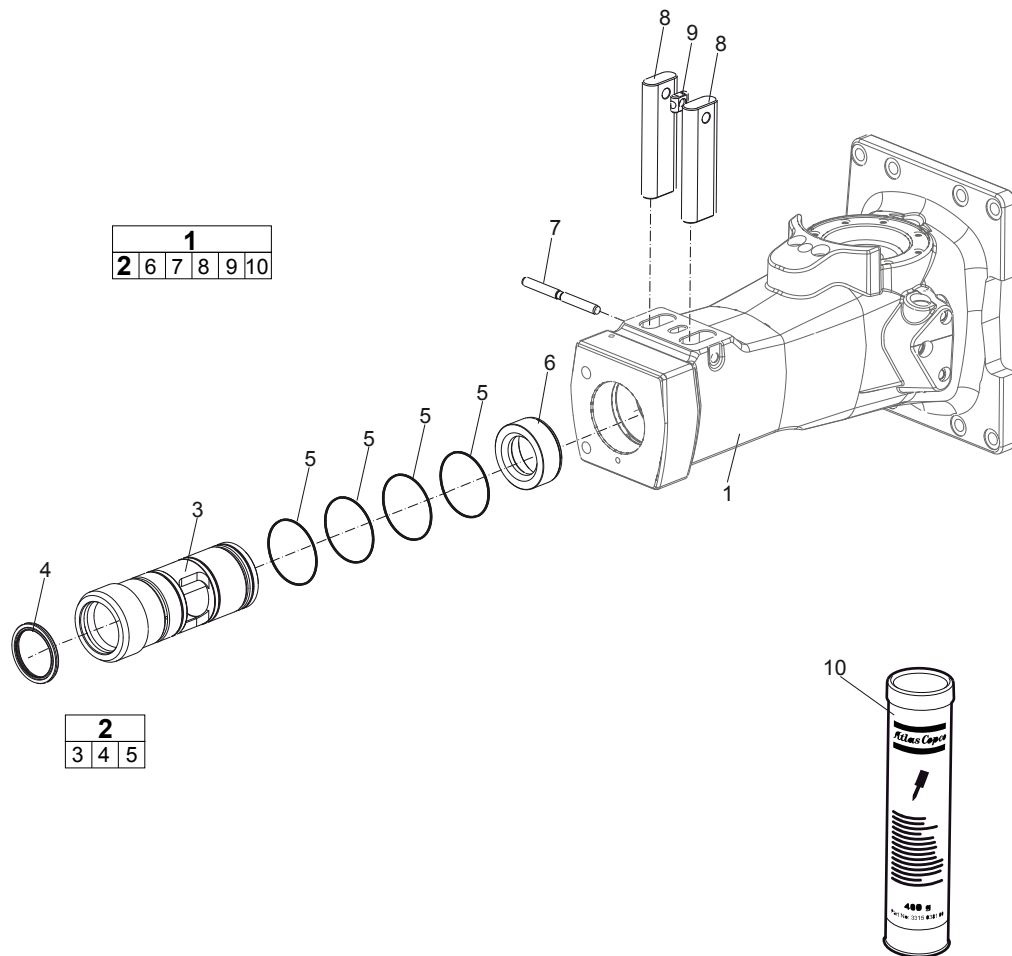


No.	Description	Remark	Quantity	Part number
1(2-7)	Label kit		1	3315 3127 91
2	AEM sign		1	-
3	Product label	"SB 452"	2	-
4	Safety label		1	-
5	Product label	"Atlas Copco"	2	-
6	Safety label		1	-
7	Sound power label		1	-

Seal kit

Description	Remark	Quantity	Part number
Seal kit		1	3315 3127 90
O-ring	114.5 x 3 mm 4.5 x 0.12 in.	4	0663 7147 00
Seal ring		1	3115 3290 02
O-ring	13.3 x 2.4 mm 0.52 x 0.08 in. (70 shore)	1	0663 2120 00
O-ring	7.3 x 2.4 mm 0.29 x 0.09 in. (70 shore)	1	0663 2114 00
O-ring	20.35 x 1.78 mm 0.80 x 0.07 in. (90 shore)	1	9125 6211 00
O-ring	14 x 1.78 mm 0.55 x 0.07 in. (90 shore)	1	0663 2104 21
Back-up ring		1	0661 2004 01
Seal ring		2	0664 0000 04
O-ring	18.77 x 1.78 mm 0.74 x 0.07 in. (90 shore)	2	0663 2102 17
Plug		1	3315 3367 00
O-ring	47.29 x 2.62 mm Polyuretan 1.86 x 0.10 in.	1	0663 2114 91
Seal ring		2	0663 9900 26
Seal ring		4	0665 0900 14
Wiper		1	0665 9099 50
Piston rod seal		1	0665 0701 47
Seal ring		9	0663 9900 32
Piston rod seal		1	0665 0701 48
O-ring	145.72 x 2.62 mm 5.74 x 0.10 in. (70 shore)	1	0663 2104 17
Valve rubber		1	3315 2808 00

Lower hammer part kit



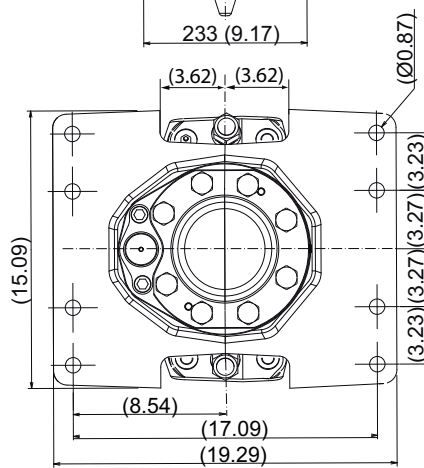
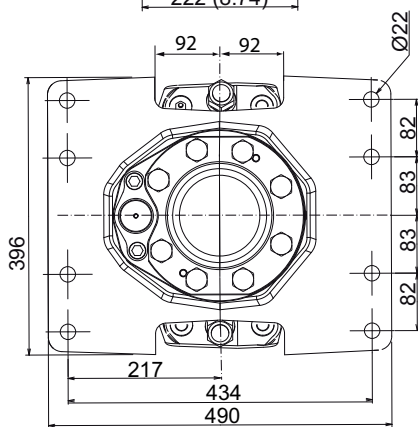
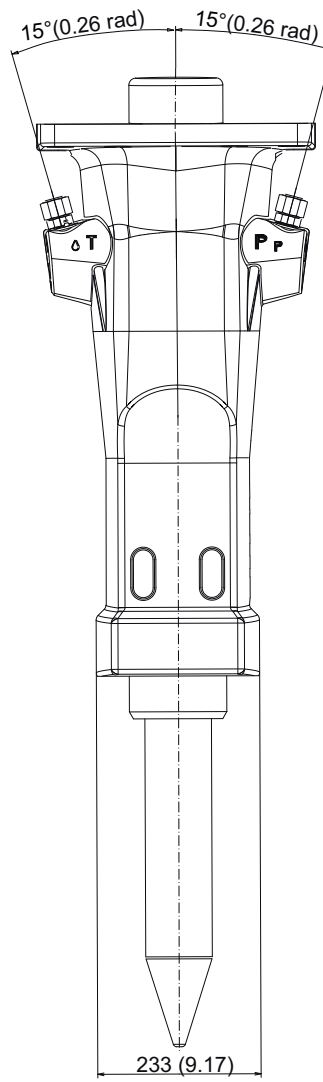
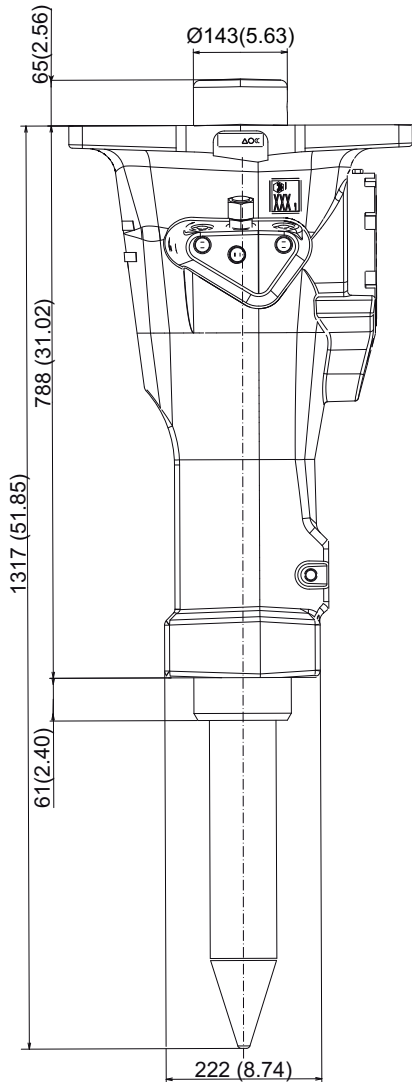
No.	Description	Remark	Quantity	Part number
1(2,6-10)	Lower hammer part kit		1	3315 3124 90
2(3-5)	Bushing, complete		1	3315 3124 80
3	Bushing		1	-
4	Scraper ring		1	3315 3536 00
5	O-ring	114.5 x 3 mm 4.5 x 0.12 in.	4	0663 7147 00
6	Stop ring		1	3315 3123 00
7	Lock pin		1	3315 1558 00
8	Tool retainer		2	3315 1557 00
9	Lock buffer		1	3315 1419 00
10	Chisel paste cartridge	400 g 0.88 lb	1	-

Accumulator repair kit

Description	Remark	Quantity	Part number
Accumulator repair kit		1	3315 3031 90
Coil spring		1	3315 3035 00
Diaphragm support		1	3315 3032 01
Diaphragm		1	3315 3033 00
Screw	Screw with extra high fatigue strength.	8	0211 1965 44
Plug	VSTI R ¼ - ED	1	0686 3718 05
Seal ring		1	3115 3290 02
O-ring	13.3 x 2.4 mm 0.52 x 0.09 in. (70 shore)	1	0663 2120 00
Charge valve		1	3315 3660 00
Parallel pin	D4 x 25 mm	1	0101 4140 00
O-ring	7.3 x 2.4 mm 0.29 x 0.09 in. (90 shore)	1	0663 2114 00

Dimensions

mm (inch)



Any unauthorized use or copying of the contents or any part thereof is prohibited.
This applies in particular to trademarks, model denominations, part numbers, and
drawings.

© 2012 Atlas Copco Construction Tools AB | No. 9800 0887 01c | 2012-09-11

Atlas Copco

www.atlascopco.com