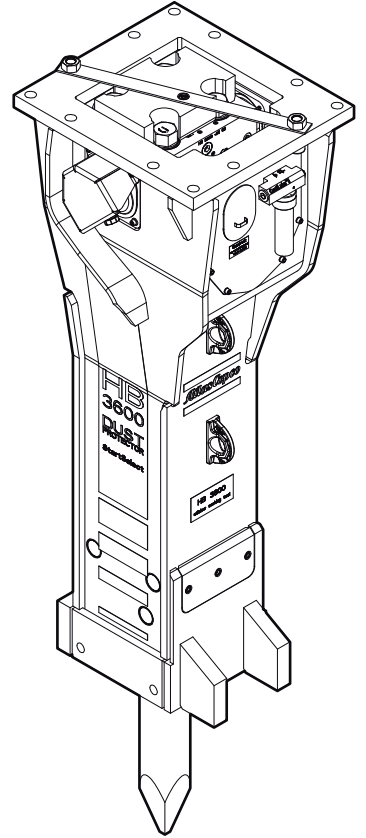


Spare parts list Hydraulic breakers

	Valid from serial number
HB 3600	DEQ130613
HB 3600 DP	DEQ130613



Contents

General information.....	5
Spare parts list.....	6
Hydraulic breaker HB 3600.....	6
Hydraulic breaker HB 3600 DustProtector.....	8
Percussion unit part 1: cylinder cover.....	10
Percussion unit part 2: cylinder.....	12
Percussion unit part 3: lower breaker part.....	14
Connecting kit for ContiLube® II.....	16
StartSelect - AutoStart or AutoStop.....	18
Optional parts.....	20
Tightening torques.....	21
Working Tools.....	22
HB 3600.....	22
HB 3600 DustProtector.....	23
Accessories.....	24
Hydraulic hoses.....	24
Optional equipment.....	24
Kits.....	25
Label kit HB 3600.....	25
Label kit HB 3600 DustProtector.....	26
Seal kit.....	27
Seal kit for swivel joint (ContiLube® II).....	27
Plastic parts kit.....	27
Tensioning bolt kit.....	28
DustProtector kit.....	28
Noise protection kit.....	28
Lower breaker part kit (steel).....	28
Lower breaker part kit (bronze).....	29
Lower breaker part kit DustProtector (steel).....	29
Lower breaker part kit DustProtector (bronze).....	30
Fastening screw kit.....	30
Accumulator repair kit.....	30
Dimensions.....	31
Dimensions HB 3600.....	31
Dimensions HB 3600 DustProtector.....	32

General information

This spare parts list applies to the following:

Part number	Description
3363 1003 01	Hydraulic breaker HB 3600
3363 1007 79	Hydraulic breaker HB 3600 DustProtector

Use only authorized parts. Any damage or malfunction caused by the use of unauthorized parts is not covered by Warranty or Product Liability. Any unauthorized use or copying of the contents or any part thereof is prohibited. This applies in particular to trademarks, model denominations, part numbers, and drawings.

Instructions for use

This spare parts list contains no safety regulations and is merely intended to assist in the ordering of spare parts.

For information on operating, servicing, or repairing, the relevant Safety and operating instructions must be consulted at all costs.

Please observe the safety instructions listed in the relevant Safety and operating instructions!

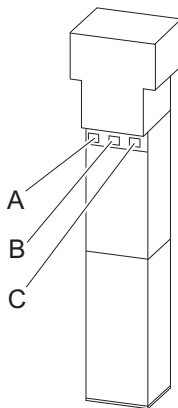
Instructions of ordering

It is essential to indicate the serial number of the hydraulic attachment when ordering spare parts!

Please note the full identification number of your hydraulic attachment. This code can be found on the cylinder.

Determine the quantity of individual parts which are required and need to be ordered. The order must indicate the following details:

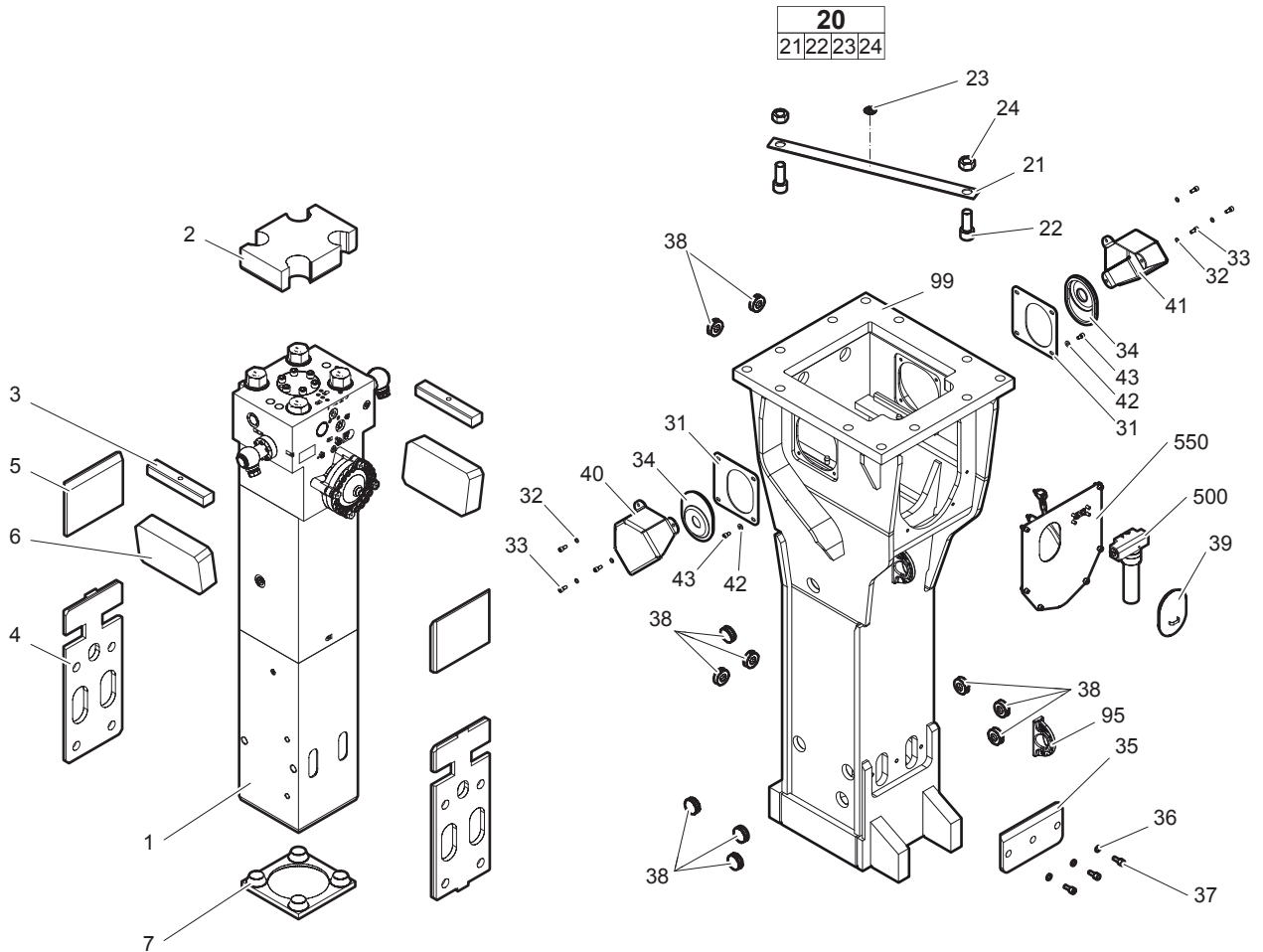
- full identification code of the hydraulic attachment
- required quantity
- part number
- description



- A. Cylinder number
- B. Type
- C. Serial number

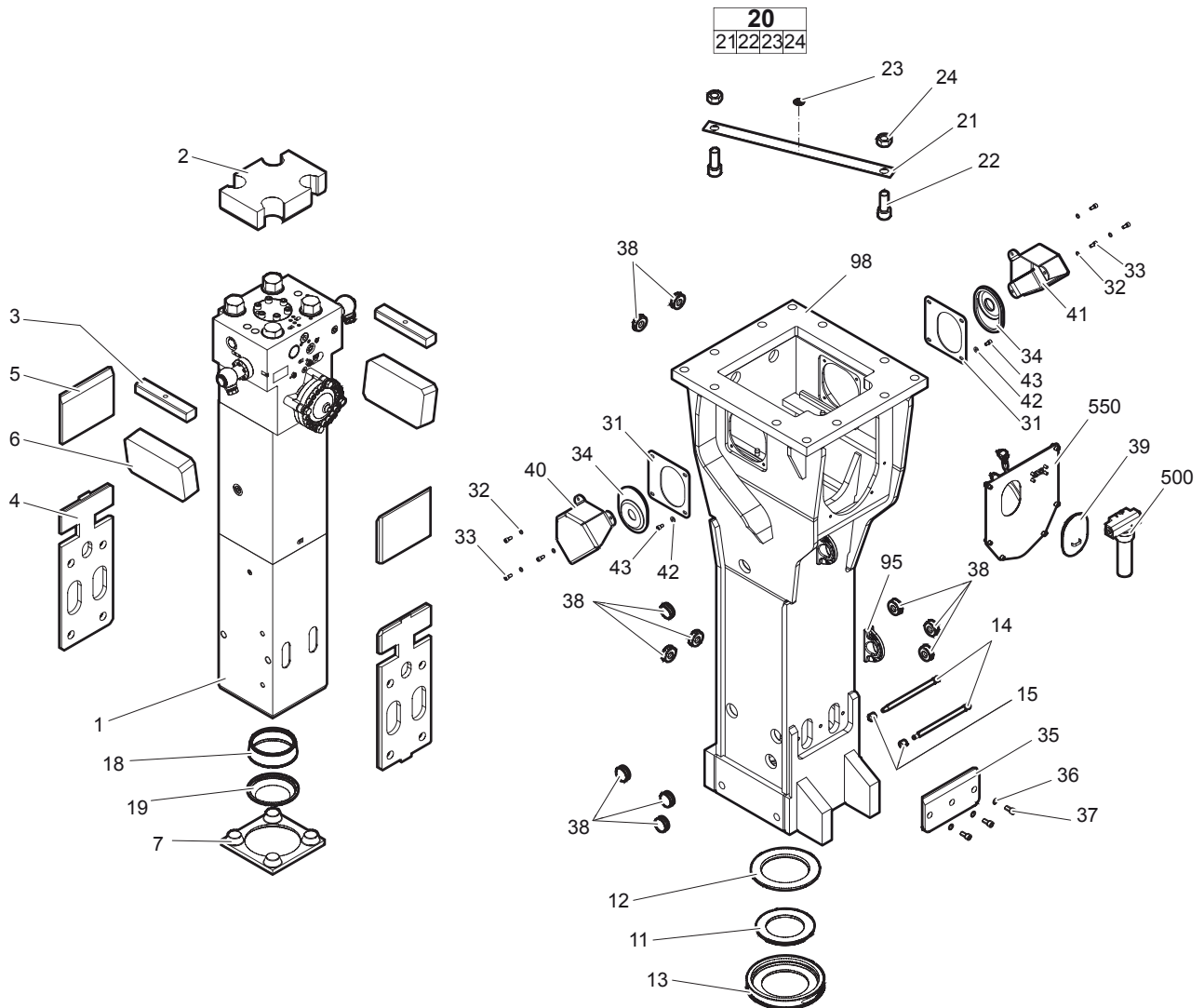
Spare parts list

Hydraulic breaker HB 3600



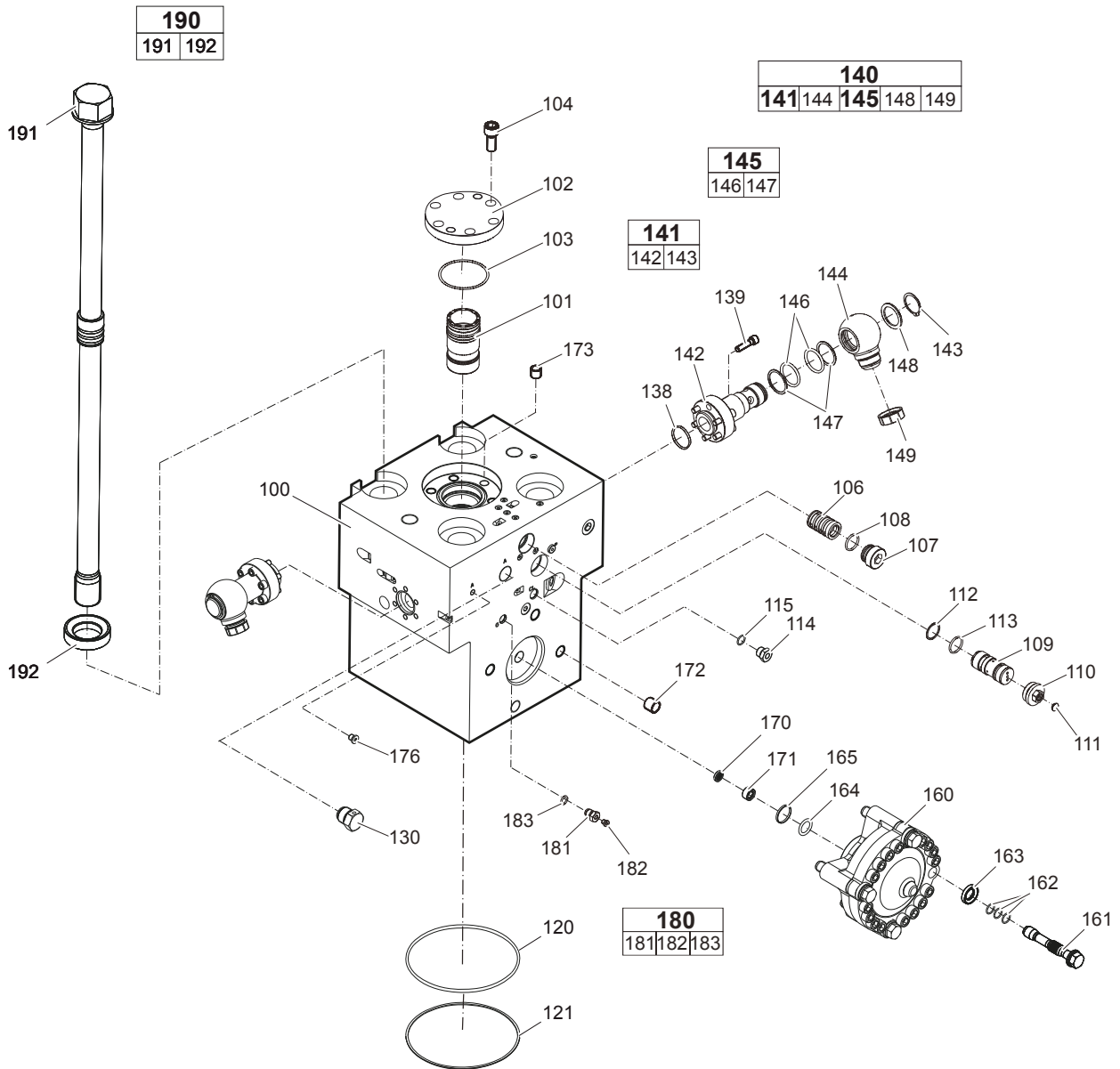
No.	Description	Remark	Quantity	Part number
1	Percussion unit	see separate chapter	1	-
2	Elastic pad		1	3361 8476 35
3	Shock absorber		2	3363 1003 45
4	Guide plate		2	3362 2697 97
5	Guide plate		2	3362 2652 15
6	Guide plate		2	3362 2626 67
7	Plate		1	3363 0863 99
20(21-24)	Transport safety device complete		1	3363 0948 26
21	Transport safety device		1	-
22	Allen screw		2	3360 1141 51
23	Label transport safety device		1	3363 0918 72
24	Nut		2	3360 1032 55
31	Plate		2	3363 0988 30
32	Pair of lock washers		6	3361 8505 96
33	Allen screw		6	3360 1037 50
34	Cover		2	3363 0311 81
35	Plate		1	3363 1003 47
36	Pair of lock washers		3	3361 3337 03
37	Allen screw		3	3362 3281 13
38	Plug		11	3363 0860 17
39	Plate		1	3363 0926 97
40	Swivel joint cover		1	3363 1113 22
41	Swivel joint cover		1	3363 1113 24
42	Pair of lock washers		2	3363 1112 96
43	Allen screw		2	3362 3284 80
95	Lifting eye	professional welding process necessary	2	3363 1119 95
99	Breaker box		1	3363 0948 94
500	ContiLube® II	see separate <i>Safety and operating instructions</i>	1	3363 0671 23
550	Connecting kit Contilube® II	see separate chapter	1	3363 0948 33

Hydraulic breaker HB 3600 DustProtector



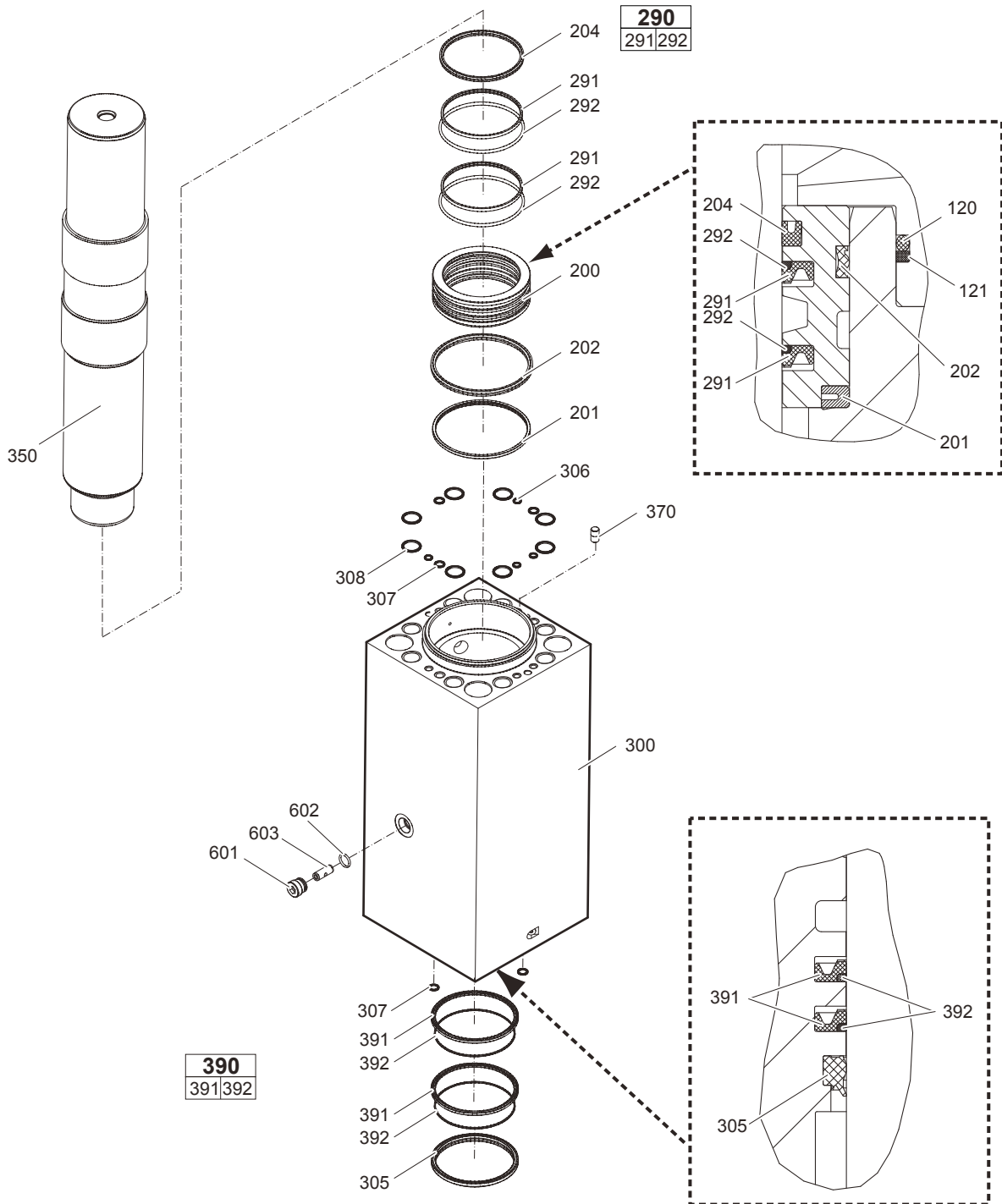
No.	Description	Remark	Quantity	Part number
1	Percussion unit	see separate chapter Note: When ordering a percussion unit for DustProtector version it is imperative to order additionally the base for wiper (no. 18) and the wiper (no. 19).	1	-
2	Elastic pad		1	3361 8476 35
3	Shock absorber		2	3363 1003 45
4	Guide plate		2	3362 2697 97
5	Guide plate		2	3362 2652 15
6	Guide plate		2	3362 2626 67
7	Plate		1	3363 0863 99
11	Floating ring	tribolid steel, see chapter <i>Optional parts</i>	1	3363 1044 41
12	Counter ring		1	3363 0338 01
13	Guide ring		1	3363 0337 33
14	Bolt		2	3363 0706 43
15	Locking bush		2	3361 8543 63
18	Base for wiper		1	3363 1045 43
19	Wiper		1	3363 1045 45
20(21-24)	Transport safety device complete		1	3363 0948 26
21	Transport safety device		1	-
22	Allen screw		2	3360 1141 51
23	Label transport safety device		1	3363 0918 72
24	Nut		2	3360 1032 55
31	Plate		2	3363 0988 30
32	Pair of lock washers		6	3361 8505 96
33	Allen screw		6	3360 1037 50
34	Cover		2	3363 0311 81
35	Plate		1	3363 1003 47
36	Pair of lock washers		3	3361 3337 03
37	Allen screw		3	3362 3281 13
38	Plug		11	3363 0860 17
39	Plate		1	3363 0926 97
40	Swivel joint cover		1	3363 1113 22
41	Swivel joint cover		1	3363 1113 24
42	Pair of lock washers		2	3363 1112 96
43	Allen screw		2	3362 3284 80
95	Lifting eye	professional welding process necessary	2	3363 1119 95
98	Breaker box		1	3363 0948 93
500	ContiLube® II	see separate <i>Safety and operating instructions</i>	1	3363 0671 23
550	Connecting kit for ContiLube® II	see separate chapter	1	3363 0948 33

Percussion unit part 1: cylinder cover



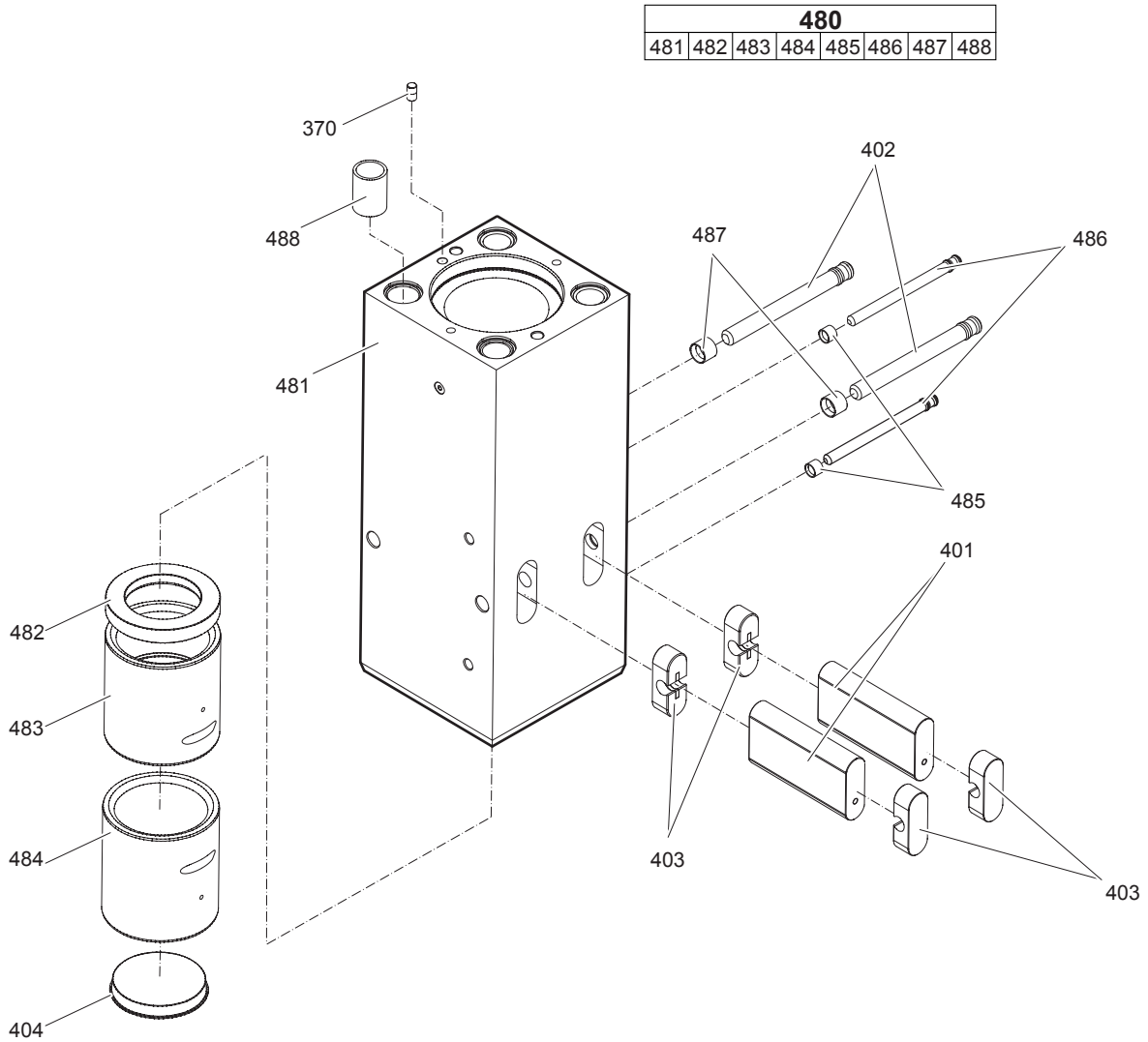
No.	Description	Remark	Quantity	Part number
100	Cylinder cover	with no. 170 - 166	1	3363 1115 16
101	Main control valve		1	3363 1045 55
102	Cover		1	3363 0977 17
103	O-ring		1	3360 3143 75
104	Allen screw		6	3360 1037 76
106	Frequency switching valve	AutoControl	1	3363 0354 53
107	Threaded plug		1	3363 0354 25
108	O-ring		1	3360 3143 70
109	Safety valve	PowerAdapt Only in exchange for the part to be replaced. Consult the Atlas Copco Customer Center/Dealer in your area.	1	3363 0852 70
110	Threaded plug		1	3363 0870 86
111	Plug		1	3363 0870 87
112	O-ring		1	3363 1104 01
113	Back-up ring		1	3363 0870 85
114	Connecting screw		1	3361 8546 57
115	O-ring		1	3360 4781 71
120	Back-up ring		1	3363 1033 17
121	O-ring		1	3363 1033 16
130	Non-return valve		1	3361 8545 11
138	O-ring		2	3360 3143 73
139	Allen screw		12	3360 0265 13
140(141,144,145,148-149)	Swivel joint complete		2	3363 0860 81
141(142-143)	Adapter complete		1	3363 1034 70
142	Adapter		1	-
143	Snapring		1	3363 1031 33
144	Adapter		1	3361 3566 43
145(146-147)	Seal kit		1	3361 8504 22
146	O-ring		2	-
147	Back-up ring		2	-
148	Disk		1	3361 3566 45
149	Cap		1	3361 3534 89
160	HP-accumulator		1	3363 0949 81
161	Fastening screw	each fastening screw with 3 o-rings no. 162	4	3363 1131 01
162	Service kit O-rings	12 o-rings for all 4 fastening screws no. 161	1	3363 1147 30
163	Washer		4	3363 1000 49
164	O-ring		1	3360 3143 64
165	Back-up ring		1	3360 3280 46
170	Strainer disk		1	3361 8441 13
171	Threaded plug		1	3361 8441 15
172	Threaded insert		4	3361 0315 46
173	Threaded insert		6	3361 0315 29
176	Threaded plug		1	3360 4784 39
180(181-183)	Filling valve complete		1	3363 0872 86
181	Filling valve		1	-
182	Threaded plug		1	3360 4784 26
183	O-ring		1	3360 1751 25
190(191-192)	Tensioning bolt complete		4	3363 1033 33
191	Tensioning bolt		1	3363 1045 19
192	Washer		1	3363 0936 53

Percussion unit part 2: cylinder



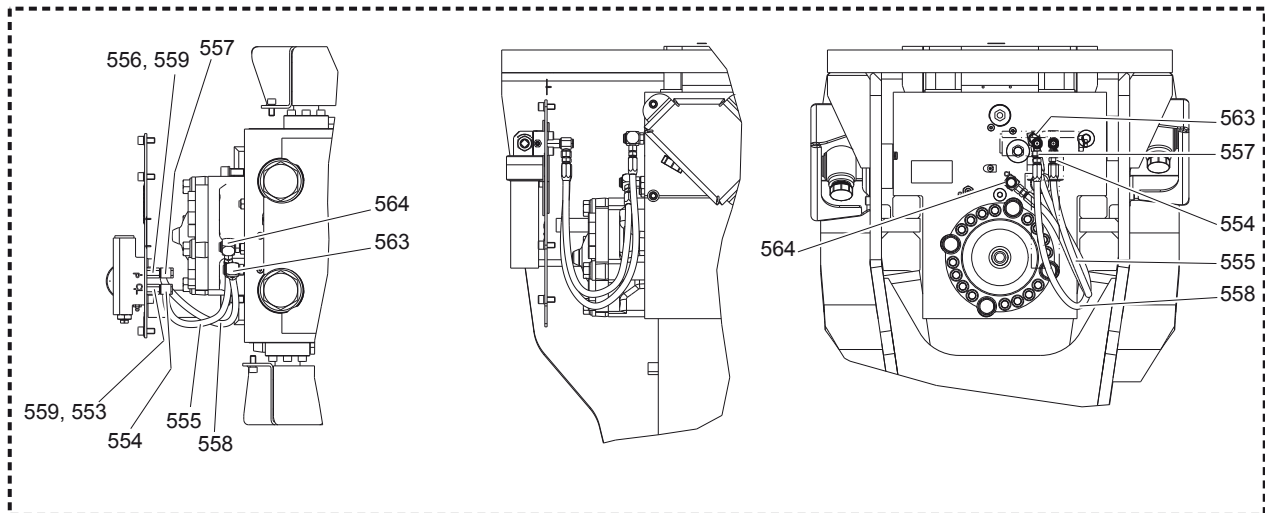
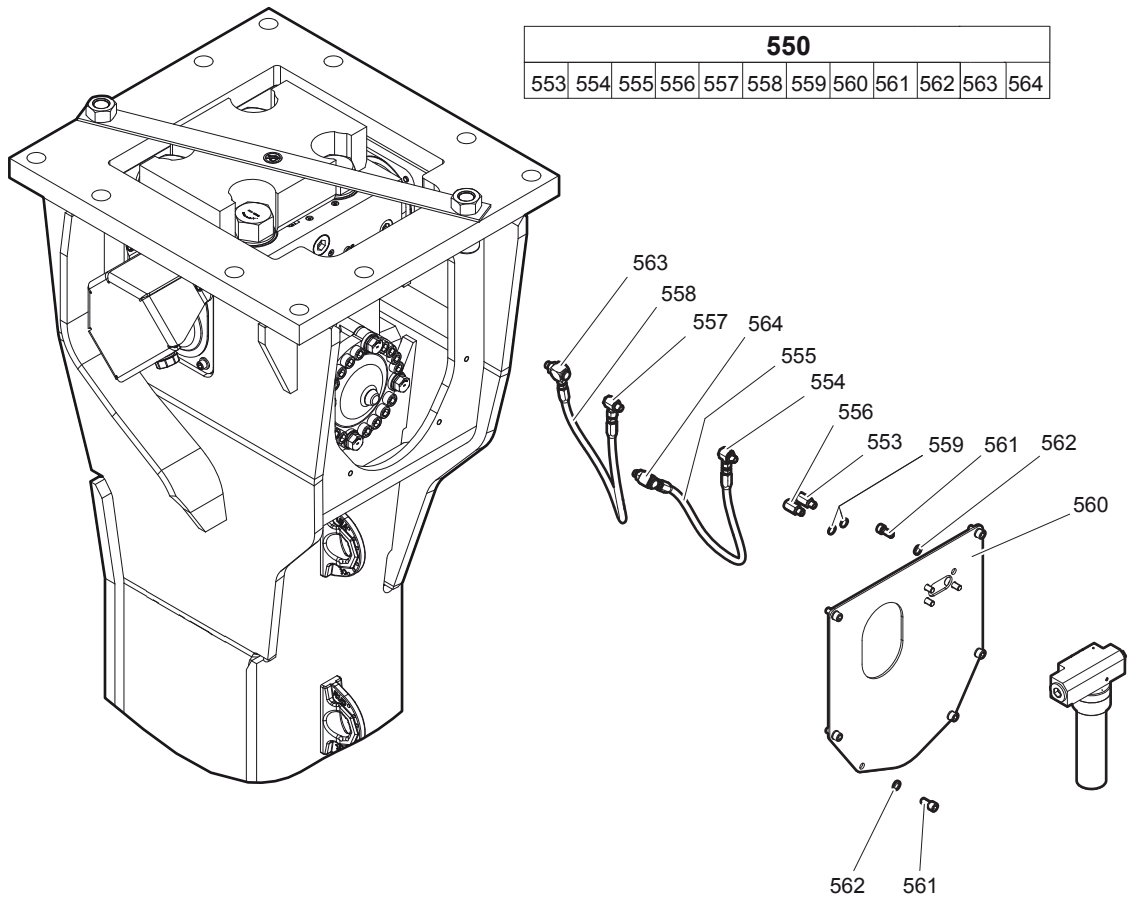
No.	Description	Remark	Quantity	Part number
200	Seal bush		1	3363 1045 23
201	Ring		1	3363 1045 25
202	Seal		1	3363 1033 72
204	Seal		1	3363 1033 04
290(291-292)	Seal kit		2	3363 1033 35
291	Seal		1	-
292	Back-up ring		1	-
300	Cylinder	with no. 601 - 603	1	3363 1033 19
305	Wiper		1	3363 1033 03
306	Seal		4	3362 2675 83
307	Seal		5	3362 2675 85
308	Seal		8	3363 1045 57
350	Percussion piston		1	3363 1067 36
370	Lock pin		1	3362 2681 85
390(391-392)	Seal kit		2	3363 1033 36
391	Seal		1	-
392	Back-up ring		1	-
601	Plug		1	3363 0825 93
602	O-ring		1	3363 0832 45
603	Valve	StartSelect	1	3363 0825 05

Percussion unit part 3: lower breaker part



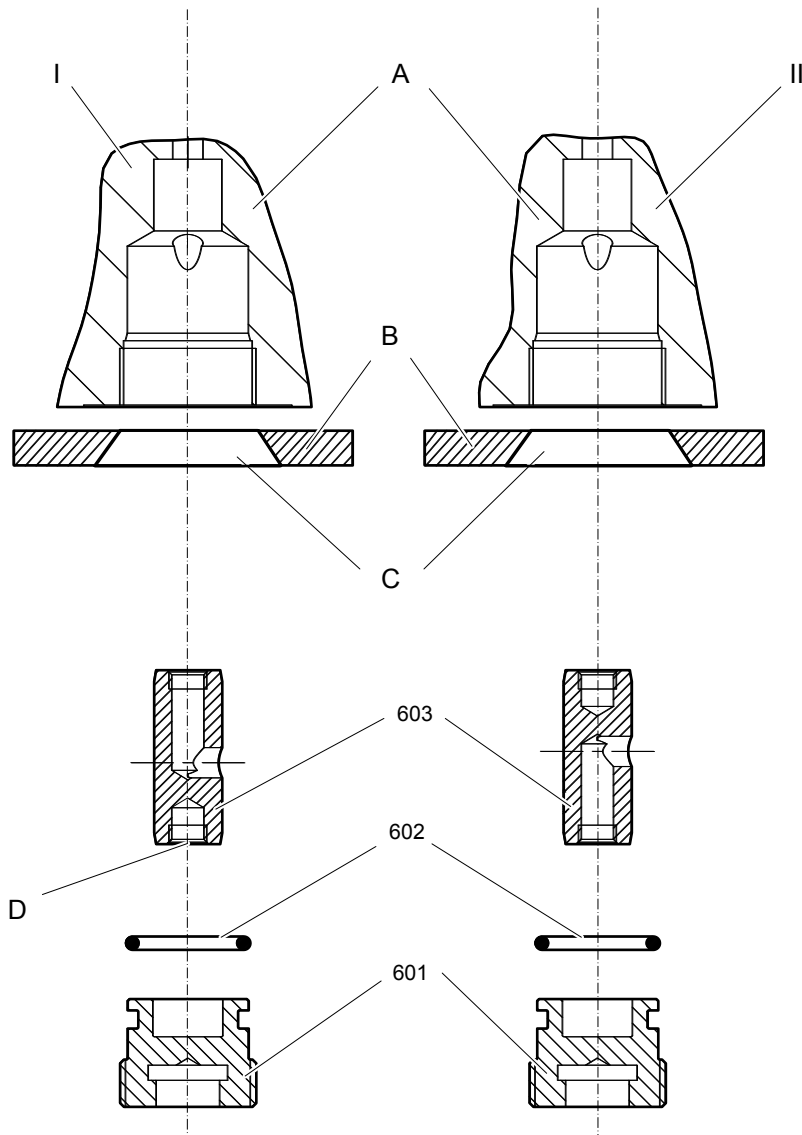
No.	Description	Remark	Quantity	Part number
370	Lock pin		1	3362 2681 85
401	Retainer bar		2	3363 1045 21
402	Bolt		2	3362 2615 41
403	Plug		4	3362 2629 21
404	Protective cap		1	3363 0700 23
480(481-488)	Lower breaker part complete	Note: When ordering a lower breaker part for DustProtector version it is imperative to order additionally the base for wiper (no. 18) and the wiper (no. 19).	1	3363 1033 28
481	Lower breaker part		1	-
482	Impact ring		1	3363 1045 27
483	Wear bush		1	3363 1045 29
484	Wear bush	steel bronze, see chapter <i>Optional parts</i>	1	3363 1045 51
485	Locking bush		2	3361 8543 63
486	Bolt		2	3361 8543 47
487	Locking bush		2	3362 2604 33
488	Threaded insert		4	3363 0853 21

Connecting kit for ContiLube® II



No.	Description	Remark	Quantity	Part number
550(553-564)	Connecting kit		1	3363 0948 33
553	Adapter	secure with Loctite 243	1	3363 0668 87
554	Fitting	secure with Loctite 243	1	3363 0662 33
555	Hydraulic hose	Grease line secure with Loctite 243 Route the hydraulic hoses as shown on the drawing. It must be ensured that the hydraulic hoses can move freely and are not in contact at any point.	1	3363 0875 83
556	Adapter	secure with Loctite 243	1	3363 0687 45
557	Fitting	secure with Loctite 243	1	3363 0662 34
558	Hydraulic hose	Oil line secure with Loctite 243 Route the hydraulic hoses as shown on the drawing. It must be ensured that the hydraulic hoses can move freely and are not in contact at any point.	1	3363 0838 77
559	Seal		2	3363 0669 51
560	Plate		1	3363 1032 07
561	Allen screw	secure all 4 allen screws with Loctite 243 screwed in the ContiLube® II	10	3360 1037 50
562	Pair of lock washers		10	3361 8505 96
563	Fitting	secure with Loctite 243	1	3363 0871 85
564	Fitting	secure with Loctite 243	1	3363 0871 86

StartSelect - AutoStart or AutoStop



No.	Description	Remark	Quantity	Part number
601	Plug		1	3363 0825 93
602	O-ring		1	3363 0832 45
603	Valve	StartSelect	1	3363 0825 05

I = AutoStop setting

II = AutoStart setting (standard setting on delivery)

A. Port bore in cylinder

B. Wall of breaker box

C. Plug of breaker box

D. M 10 thread (both ends) for mounting

The position of the StartSelect unit is shown on the percussion unit illustrations.

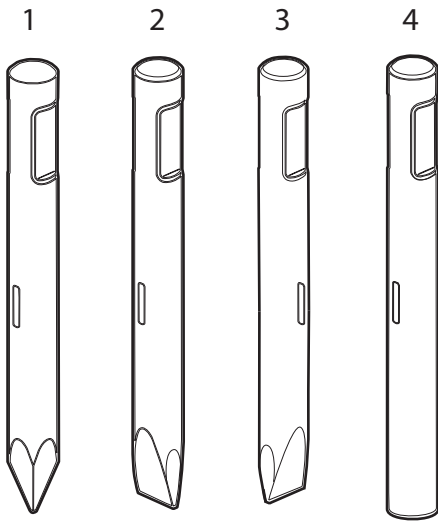
Optional parts

No.	Description	Remark	Quantity	Part number
11	Floating ring	steel	1	3363 1034 61
484	Wear bush	bronze	1	3363 1045 31

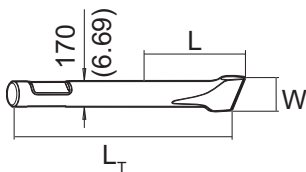
Tightening torques

No.	Description	Tightening torque	Remark
33	Allen screw	85 Nm	Allen key size 10
43	Allen screw	85 Nm	Allen key size 10
104	Allen screw	380 Nm	Allen key size 17
107	Threaded plug	300 Nm	Allen key size 22
110	Threaded plug	300 Nm	Socket spanner size 24
130	Non-return valve	200 Nm	Socket spanner size 41
139	Allen screw	80 Nm	Allen key size 10
161	Fastening screw		Socket spanner size 30 Tightening regulations: 1. Treat the threads and threaded inserts for the fastening screws with an Anti-Seize agent. 2. Treat the surfaces between the fastening screw head, washer, and HP-accumulator cover with Anti-Seize. 3. Place on the HP-accumulator, and tighten the fastening screws by hand in a crosswise fashion. 4. Pretighten the fastening screws to 80 Nm, proceeding in a crosswise fashion, 5. then tighten each fastening screw through 30° in a crosswise fashion, 6. finally tighten each fastening screw again through 60° in a crosswise fashion.
181	Filling valve	130 Nm	Socket spanner size 22
182	Threaded plug	20 Nm	Allen key size 5
191	Tensioning bolt		Torque wrench or Power wrench size 75 1. Pretighten the tensioning bolts to 500 Nm, proceeding in a crosswise fashion, 2. then tighten each tensioning bolt through 150° (2 1/2 sides of hexagonal head) in a crosswise fashion, 3. finally tighten each tensioning bolt again through 180° (3 sides of hexagonal head) in a crosswise fashion.
553	Adapter	45 Nm	Open-ended wrench size 19
554	Fitting	45 Nm	Open-ended wrench size 17, 19, 22
555	Hydraulic hose grease line	16 Nm	Open-ended wrench size 17
556	Adapter	55 Nm	Open-ended wrench size 19
557	Fitting	55 Nm	Open-ended wrench size 19, 22
558	Hydraulic hose oil line	42 Nm	Open-ended wrench size 19
561	Allen screw	85 Nm	Allen key size 10
563	Fitting	60 Nm	Open-ended wrench size 19, 22, 27
564	Fitting	50 Nm	Open-ended wrench size 17, 22, 27
601	Plug	200 Nm	Allen key size 17

Working Tools



HB 3600



Metric

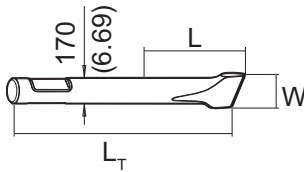
No.	Description	Remark	W (mm)	L (mm)	L _T (mm)	Wt (kg)	Part number
1	Moil point	ClassicLine		770	1500	234.0	3363 1033 07
1	Moil point	SilverLine		770	1500	234.0	3363 1033 22
1	Moil point	ClassicLine		570	1300	199.0	3363 1033 11
2	Chisel (cross)	ClassicLine	170	770	1500	243.0	3363 1033 08
2	Chisel (cross)	SilverLine	170	770	1500	243.0	3363 1033 23
2	Chisel (cross)	ClassicLine	170	570	1300	208.0	3363 1033 12
3	Chisel (parallel)	ClassicLine	170	770	1500	243.0	3363 1033 09
3	Chisel (parallel)	ClassicLine	170	570	1300	208.0	3363 1033 13
4	Blunt tool	ClassicLine		770	1500	260.0	3363 1045 49
4	Blunt tool	SilverLine		770	1500	260.0	3363 1045 61
4	Blunt tool	ClassicLine		570	1300	224.0	3363 1033 10

Imperial

No.	Description	Remark	W (in.)	L (in.)	L _T (in.)	Wt (lb)	Part number
1	Moil point	ClassicLine		31.31	59.06	515.9	3363 1033 07
1	Moil point	SilverLine		31.31	59.06	515.9	3363 1033 22
1	Moil point	ClassicLine		22.44	51.18	438.7	3363 1033 11
2	Chisel (cross)	ClassicLine	6.69	31.31	59.06	535.7	3363 1033 08
2	Chisel (cross)	SilverLine	6.69	31.31	59.06	535.7	3363 1033 23
2	Chisel (cross)	ClassicLine	6.69	22.44	51.18	458.6	3363 1033 12
3	Chisel (parallel)	ClassicLine	6.69	31.31	59.06	535.7	3363 1033 09

No.	Description	Remark	W (in.)	L (in.)	L _T (in.)	Wt (lb)	Part number
3	Chisel (parallel)	ClassicLine	6.69	22.44	51.18	458.6	3363 1033 13
4	Blunt tool	ClassicLine		31.31	59.06	573.2	3363 1045 49
4	Blunt tool	SilverLine		31.31	59.06	573.2	3363 1045 61
4	Blunt tool	ClassicLine		22.44	51.18	493.8	3363 1033 10

HB 3600 DustProtector



Metric

No.	Description	Remark	W (mm)	L (mm)	L _T (mm)	Wt (kg)	Part number
1	Moil point	ClassicLine		725	1500	234.0	3363 1033 07
1	Moil point	SilverLine		725	1500	234.0	3363 1033 22
1	Moil point	ClassicLine		525	1300	199.0	3363 1033 11
2	Chisel (cross)	ClassicLine	170	725	1500	243.0	3363 1033 08
2	Chisel (cross)	SilverLine	170	725	1500	243.0	3363 1033 23
2	Chisel (cross)	ClassicLine	170	525	1300	208.0	3363 1033 12
3	Chisel (parallel)	ClassicLine	170	725	1500	243.0	3363 1033 09
3	Chisel (parallel)	ClassicLine	170	525	1300	208.0	3363 1033 13
4	Blunt tool	ClassicLine		725	1500	260.0	3363 1045 49
4	Blunt tool	SilverLine		725	1500	260.0	3363 1045 61
4	Blunt tool	ClassicLine		525	1300	224.0	3363 1033 10

Imperial

No.	Description	Remark	W (in.)	L (in.)	L _T (in.)	Wt (lb)	Part number
1	Moil point	ClassicLine		28.54	59.06	515.9	3363 1033 07
1	Moil point	SilverLine		28.54	59.06	515.9	3363 1033 22
1	Moil point	ClassicLine		22.44	51.18	438.7	3363 1033 11
2	Chisel (cross)	ClassicLine	6.69	28.54	59.06	535.7	3363 1033 08
2	Chisel (cross)	SilverLine	6.69	28.54	59.06	535.7	3363 1033 23
2	Chisel (cross)	ClassicLine	6.69	22.44	51.18	458.6	3363 1033 12
3	Chisel (parallel)	ClassicLine	6.69	28.54	59.06	535.7	3363 1033 09
3	Chisel (parallel)	ClassicLine	6.69	22.44	51.18	458.6	3363 1033 13
4	Blunt tool	ClassicLine		28.54	59.06	573.2	3363 1045 49
4	Blunt tool	SilverLine		28.54	59.06	573.2	3363 1045 61
4	Blunt tool	ClassicLine		22.44	51.18	493.8	3363 1033 10

Accessories

Hydraulic hoses

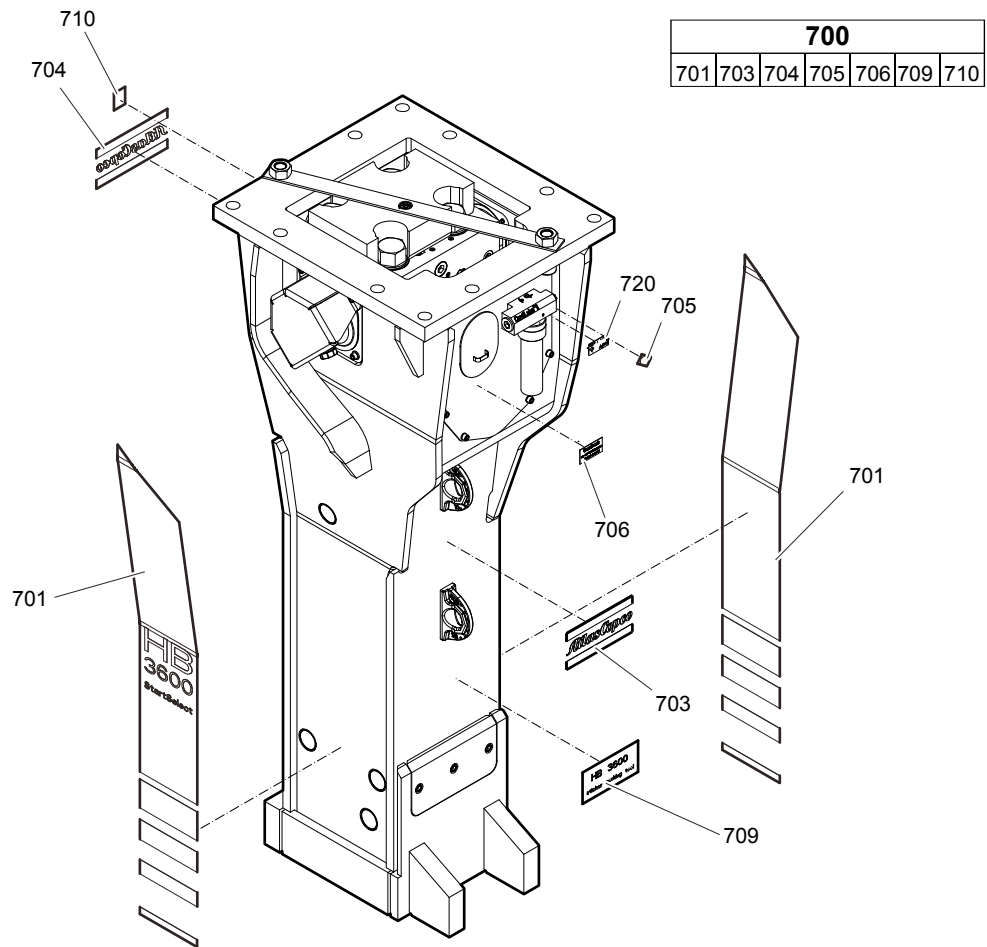
Description	Remark	Quantity	Part number
Hose	I.D. 32 (1 1/4"), both ends JIC 1 5/8", length 2800 mm (110 in.)	2	3361 8538 60
Hose	I.D. 32 (1 1/4"), both ends JIC 1 5/8", length 3500 mm (138 in.)	2	3361 8538 61

Optional equipment

Description	Remark	Quantity	Part number
Chisel paste cartridge for ContiLube® II	12 x 500 g (1.1 lbs)	1	3363 0912 00
Grease gun for cartridge ContiLube® II		1	3363 0345 67
Grease nipple		1	3360 4337 74
Service box no. II with nitrogen cylinder	5 l 1.1 gal (1.32 US gal)	1	3363 0898 45
Service box no. III without nitrogen cylinder		1	3363 0949 40
Test gauge lower wear bush		1	3363 1046 53
Inside callipers upper wear bush		1	3363 0949 52
Adapter plate matching the carrier Consult the Atlas Copco Customer Center/Dealer in your area.		1	-
Base plate with threaded inserts		1	3363 1047 27
Bolt kit		1	3363 0873 04
Base plate with through borings		1	3363 1047 25
Bolt kit		1	3363 0945 76
Allen key	27 mm for bolt kit	1	3360 4789 49
Adapter kit for underwater applications		1	3363 0905 31
Piston retainer		1	3363 1043 27

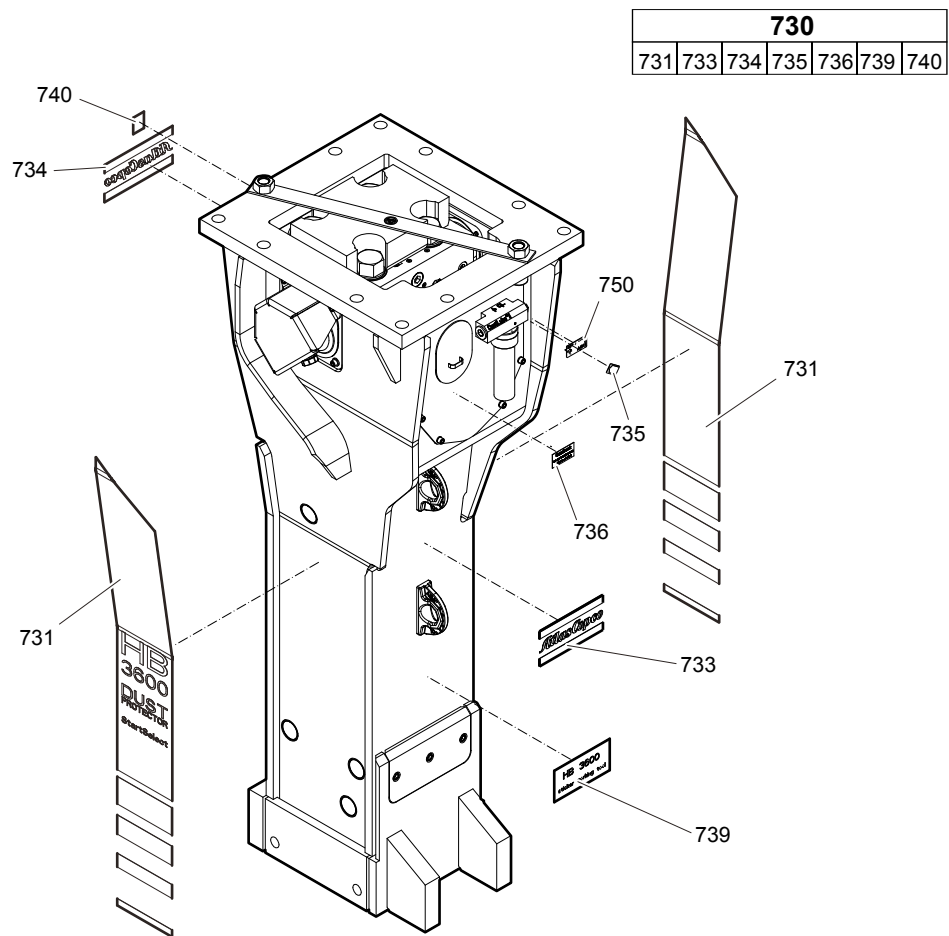
Kits

Label kit HB 3600



No.	Description	Remark	Quantity	Part number
700(701-710)	Label kit HB 3600		1	3363 1033 49
701	Product label	"HB 3600"	2	-
703	Product label	"Atlas Copco"	1	-
704	Product label	"Atlas Copco"	1	-
705	Lubricating symbol		1	-
706	Label gas pressure		1	-
709	Label working tools		1	-
710	Sound power label		1	-
720	Name plate	Consult the Atlas Copco Customer Center/Dealer in your area.	1	-

Label kit HB 3600 DustProtector



No.	Description	Remark	Quantity	Part number
730(731-740)	Label kit HB 3600 DP		1	3363 1033 50
731	Product label	"HB 3600 DP"	2	-
733	Product label	"Atlas Copco"	1	-
734	Product label	"Atlas Copco"	1	-
735	Lubricating symbol		1	-
736	Label gas pressure		1	-
739	Label working tools		1	-
740	Sound power label		1	-
750	Name plate	Consult the Atlas Copco Customer Center/Dealer in your area.	1	-

Seal kit

No.	Description	Remark	Quantity	Part number
	Seal kit		1	3363 1033 34
103	O-ring		1	3360 3143 75
108	O-ring		1	3360 3143 70
112	O-ring		1	3363 1104 01
113	Back-up ring		1	3363 0870 85
115	O-ring		1	3360 4781 71
120	Back-up ring		1	3363 1033 17
121	O-ring		1	3363 1033 16
138	O-ring		2	3360 3143 73
145	Seal kit		2	3361 8504 22
146	O-ring		2	-
147	Back-up ring		2	-
164	O-ring		1	3360 3143 64
165	Back-up ring		1	3360 3280 46
182	Plug		1	3360 4784 26
183	O-ring		1	3360 1751 25
202	Seal		1	3363 1033 72
204	Seal		1	3363 1033 04
290	Seal kit		2	3363 1033 35
291	Seal		1	-
292	Back-up ring		1	-
305	Wiper		1	3363 1033 03
306	Seal		4	3362 2675 83
307	Seal		5	3362 2675 85
308	Seal		8	3363 1045 57
390	Seal kit		2	3363 1033 36
391	Seal		1	-
392	Back-up ring		1	-
602	O-ring		1	3363 0832 45

Seal kit for swivel joint (ContiLube® II)

No.	Description	Remark	Quantity	Part number
	Seal kit		1	3363 0917 32

Plastic parts kit

No.	Description	Remark	Quantity	Part number
	Plastic parts kit		1	3363 0948 87
2	Elastic pad		1	3361 8476 35
3	Shock absorber		2	3363 1003 45
4	Guide plate		2	3362 2697 97
5	Guide plate		2	3362 2652 15
6	Guide plate		2	3362 2626 67
7	Plate		1	3363 0863 99

Tensioning bolt kit

No.	Description	Remark	Quantity	Part number
	Tensioning bolt kit		1	3363 1033 54
191	Tensioning bolt		2	3363 1045 19
192	Washer		2	3363 0936 53
488	Threaded insert		2	3363 0853 21
	Anti-Seize 120 g		1	3363 0943 00

DustProtector kit

No.	Description	Remark	Quantity	Part number
	DustProtector kit		1	3363 1033 55
11	Floating ring		1	3363 1044 41
12	Counter ring		1	3363 0338 01
13	Guide ring		1	3363 0337 33
14	Bolt		2	3363 0706 43
15	Locking bush		2	3361 8543 63

Noise protection kit

No.	Description	Remark	Quantity	Part number
	Noise protection kit		1	3363 1033 59
34	Cover		2	3363 0311 81
38	Plug		11	3363 0860 17
39	Plate		1	3363 0926 97

Lower breaker part kit (steel)

No.	Description	Remark	Quantity	Part number
	Lower breaker part kit	HB 3600 with lower wear bush steel	1	3363 1034 27
401	Retainer bar		2	3363 1045 21
402	Bolt		2	3362 2615 41
403	Plug		4	3362 2629 21
482	Impact ring		1	3363 1045 27
483	Wear bush		1	3363 1045 29
484	Wear bush	steel	1	3363 1045 51
485	Locking bush		2	3361 8543 63
486	Bolt		2	3361 8543 47
487	Locking bush		2	3362 2604 33
	Chisel paste		1	3315 0381 00
	Test gauge		1	3363 1046 53

Lower breaker part kit (bronze)

No.	Description	Remark	Quantity	Part number
	Lower breaker part kit	HB 3600 with lower wear bush bronze	1	3363 1033 56
401	Retainer bar		2	3363 1045 21
402	Bolt		2	3362 2615 41
403	Plug		4	3362 2629 21
482	Impact ring		1	3363 1045 27
483	Wear bush		1	3363 1045 29
484	Wear bush	bronze	1	3363 1045 31
485	Locking bush		2	3361 8543 63
486	Bolt		2	3361 8543 47
487	Locking bush		2	3362 2604 33
	Chisel paste		1	3315 0381 00
	Test gauge		1	3363 1046 53

Lower breaker part kit DustProtector (steel)

No.	Description	Remark	Quantity	Part number
	Lower breaker part kit	HB 3600 DustProtector with lower wear bush steel	1	3363 1034 28
18	Base for wiper		1	3363 1045 43
19	Wiper		1	3363 1045 45
401	Retainer bar		2	3363 1045 21
402	Bolt		2	3362 2615 41
403	Plug		4	3362 2629 21
482	Impact ring		1	3363 1045 27
483	Wear bush		1	3363 1045 29
484	Wear bush	steel	1	3363 1045 51
485	Locking bush		2	3361 8543 63
486	Bolt		2	3361 8543 47
487	Locking bush		2	3362 2604 33
	Chisel paste		1	3315 0381 00
	Test gauge		1	3363 1046 53

Lower breaker part kit DustProtector (bronze)

No.	Description	Remark	Quantity	Part number
	Lower breaker part kit	HB 3600 DustProtector with lower wear bush bronze	1	3363 1033 57
18	Base for wiper		1	3363 1045 43
19	Wiper		1	3363 1045 45
401	Retainer bar		2	3363 1045 21
402	Bolt		2	3362 2615 41
403	Plug		4	3362 2629 21
482	Impact ring		1	3363 1045 27
483	Wear bush		1	3363 1045 29
484	Wear bush	bronze	1	3363 1045 31
485	Locking bush		2	3361 8543 63
486	Bolt		2	3361 8543 47
487	Locking bush		2	3362 2604 33
	Chisel paste		1	3315 0381 00
	Test gauge		1	3363 1046 53

Fastening screw kit

No.	Description	Remark	Quantity	Part number
	Fastening screw kit		1	3363 1034 87
161	Fastening screw		4	3363 1131 01
162	Washer		4	3363 1000 49
172	Threaded insert		4	3361 0315 46

Accumulator repair kit

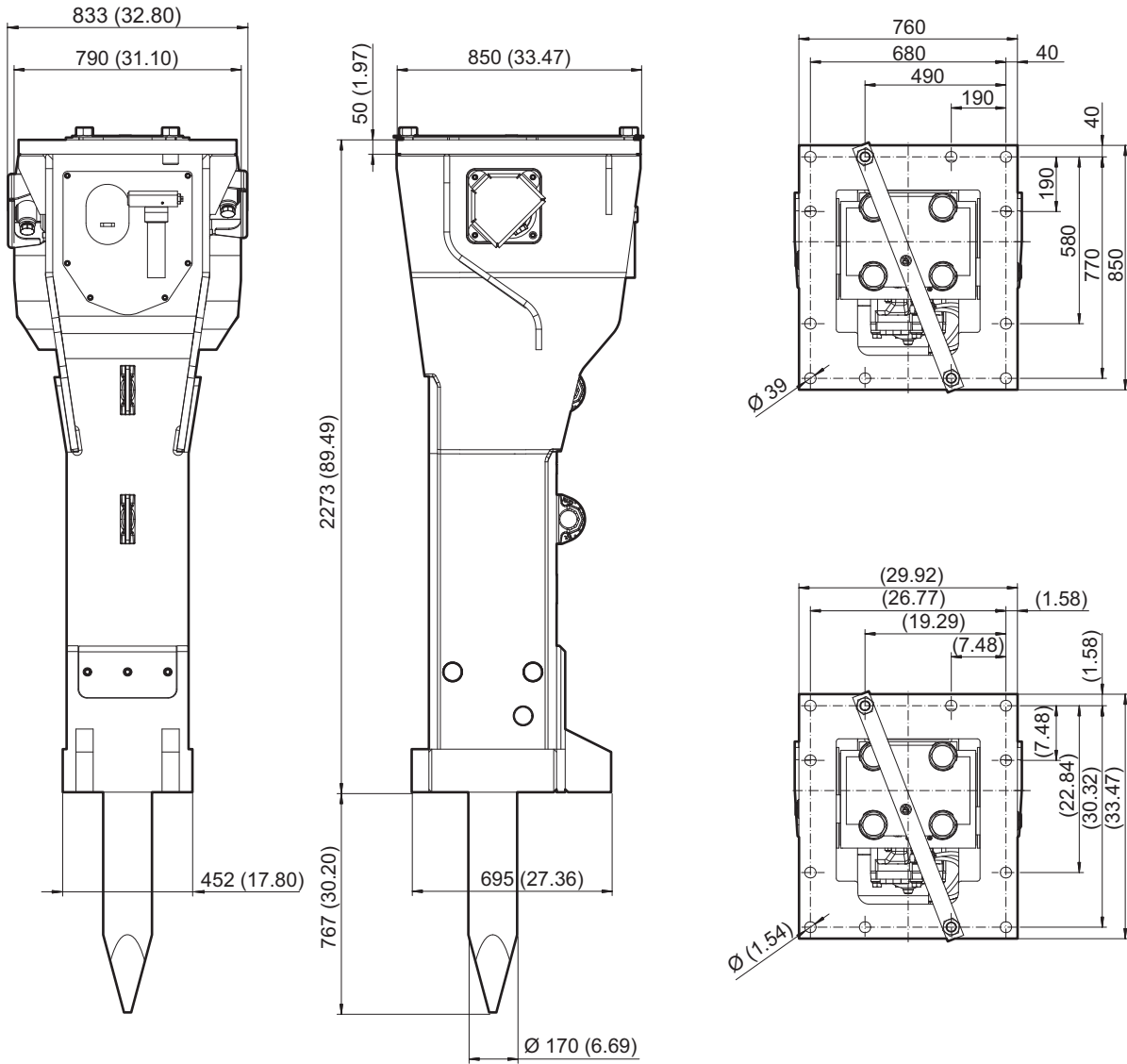
Accumulators are pressure containers in the context of the European Pressure Equipment Directive 97/23/EC. You have to observe all safety instructions comply with the laws and all national/regional regulations of your country if you repair accumulators.

No.	Description	Remark	Quantity	Part number
	Accumulator repair kit		1	3363 0898 50
	Diaphragm		1	3361 3290 22
	Filling screw		1	3360 3322 59
	O-ring		1	3360 3144 60
	Protective cap		1	3361 3350 25
	O-ring		1	3360 3143 64
	Back-up ring		1	3360 3280 46

Dimensions

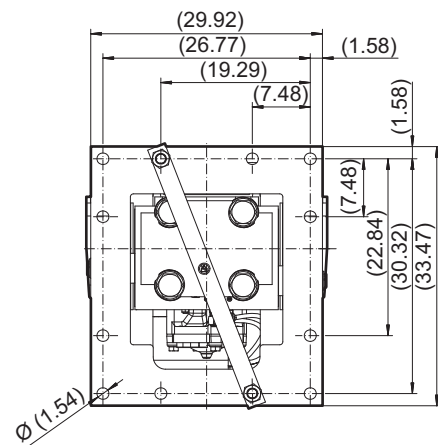
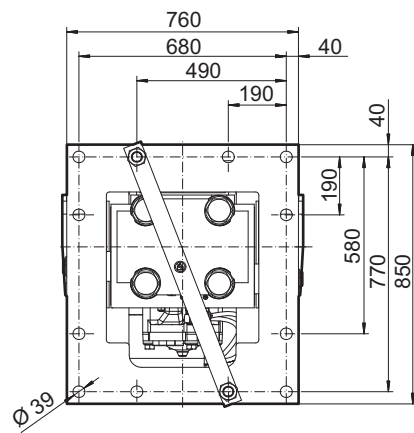
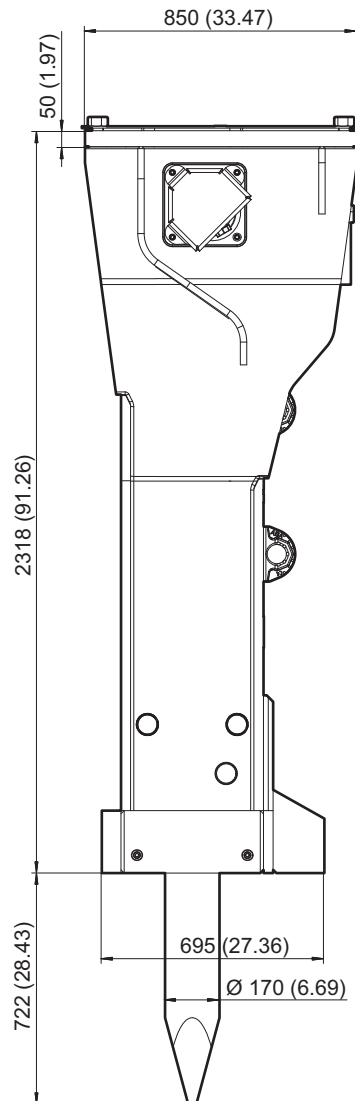
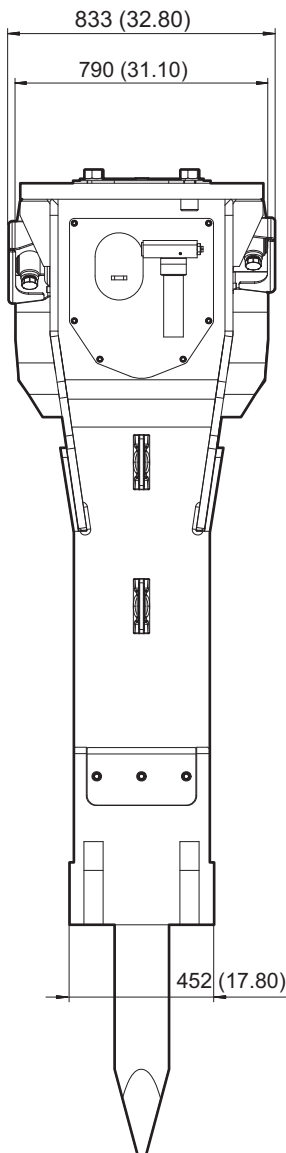
Dimensions HB 3600

mm (inch)



Dimensions HB 3600 DustProtector

mm (inch)





Any unauthorized use or copying of the contents or any part thereof is prohibited.
This applies in particular to trademarks, model denominations, part numbers, and drawings.

© 2013 Atlas Copco Construction Tools GmbH | No. 3390 7357 01 | 2013-04-09

www.atlascopco.com