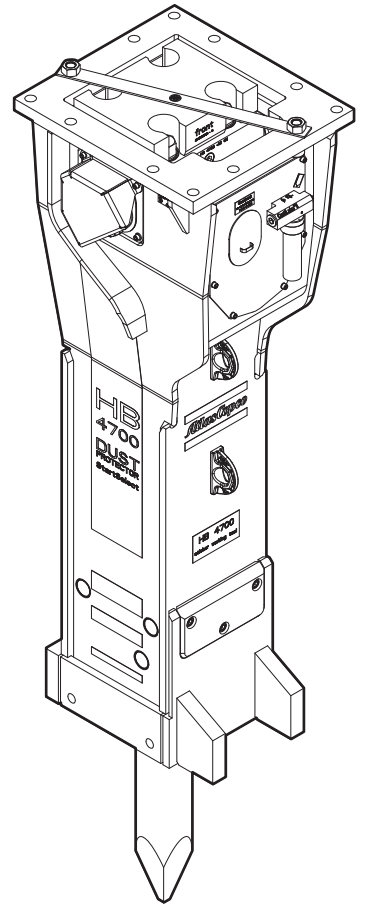


Spare parts list Hydraulic breakers

	Valid from serial number
HB 4700	50
HB 4700 DP	50



Contents

General information.....	5
Spare parts list.....	6
Hydraulic breaker HB 4700.....	6
Hydraulic breaker HB 4700 DustProtector.....	8
Percussion unit part 1: cylinder cover.....	10
Percussion unit part 2: cylinder.....	12
Percussion unit part 3: lower breaker part.....	14
Connecting kit for ContiLube® II.....	16
StartSelect - AutoStart or AutoStop.....	18
Optional parts.....	20
Tightening torques.....	21
Working Tools.....	22
HB 4700.....	22
HB 4700 DustProtector.....	23
Accessories.....	24
Hydraulic hoses.....	24
Optional equipment.....	24
Kits.....	25
Label kit HB 4700.....	25
Label kit HB 4700 DustProtector.....	26
Seal kit.....	27
Seal kit for swivel joint (ContiLube® II).....	27
Plastic parts kit.....	28
Tensioning bolt kit.....	28
DustProtector kit.....	28
Noise protection kit.....	28
Lower breaker part kit (steel).....	29
Lower breaker part kit (bronze).....	29
Lower breaker part kit DustProtector (steel).....	30
Lower breaker part kit DustProtector (bronze).....	30
Expansion bolt kit.....	30
Accumulator repair kit.....	31
Dimensions.....	32
Dimensions HB 4700.....	32
Dimensions HB 4700 DustProtector.....	33

General information

This spare parts list applies to the following:

Part number	Description
3363 1027 51	Hydraulic breaker HB 4700
3363 1044 61	Hydraulic breaker HB 4700 DustProtector

Use only authorized parts. Any damage or malfunction caused by the use of unauthorized parts is not covered by Warranty or Product Liability. Any unauthorized use or copying of the contents or any part thereof is prohibited. This applies in particular to trademarks, model denominations, part numbers, and drawings.

Instructions for use

This spare parts list contains no safety regulations and is merely intended to assist in the ordering of spare parts.

For information on operating, servicing, or repairing, the relevant Safety and operating instructions must be consulted at all costs.

Please observe the safety instructions listed in the relevant Safety and operating instructions!

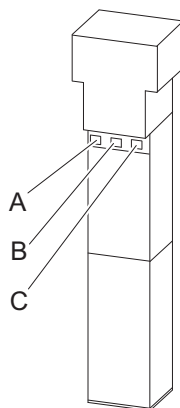
Instructions of ordering

It is essential to indicate the serial number of the hydraulic attachment when ordering spare parts!

Please note the full identification number of your hydraulic attachment. This code can be found on the cylinder.

Determine the quantity of individual parts which are required and need to be ordered. The order must indicate the following details:

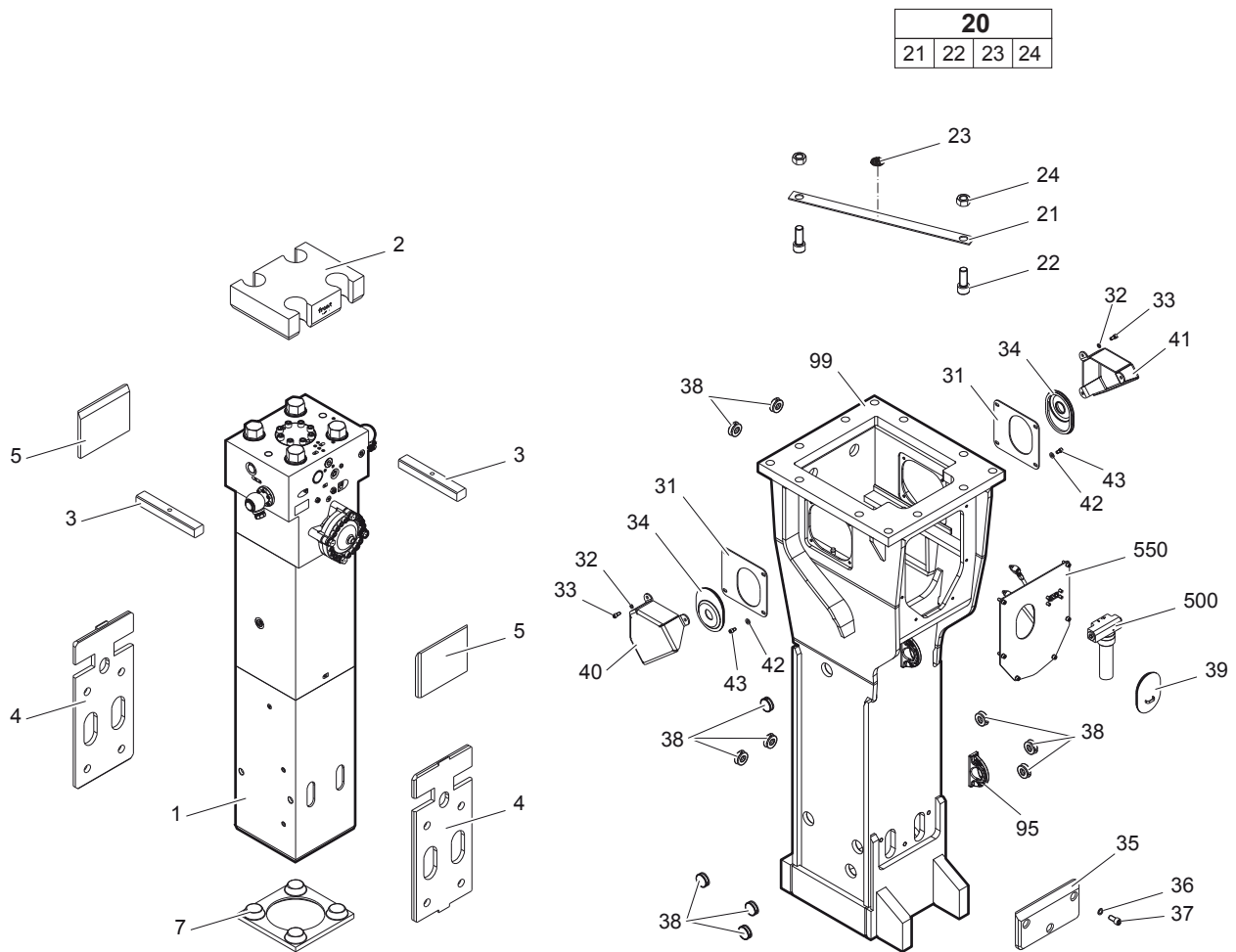
- full identification code of the hydraulic attachment
- required quantity
- part number
- description



- A. Cylinder number
- B. Type
- C. Serial number

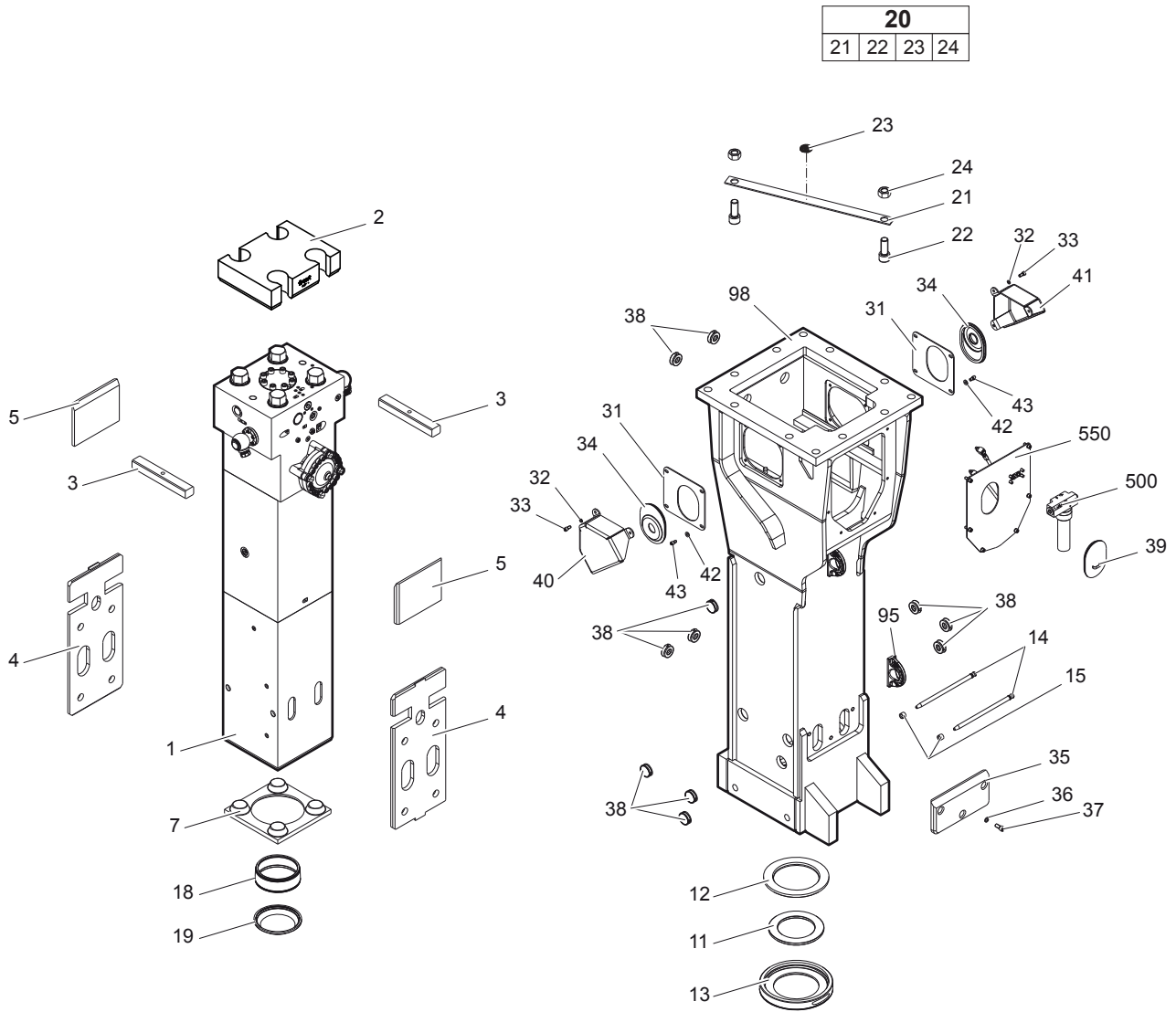
Spare parts list

Hydraulic breaker HB 4700



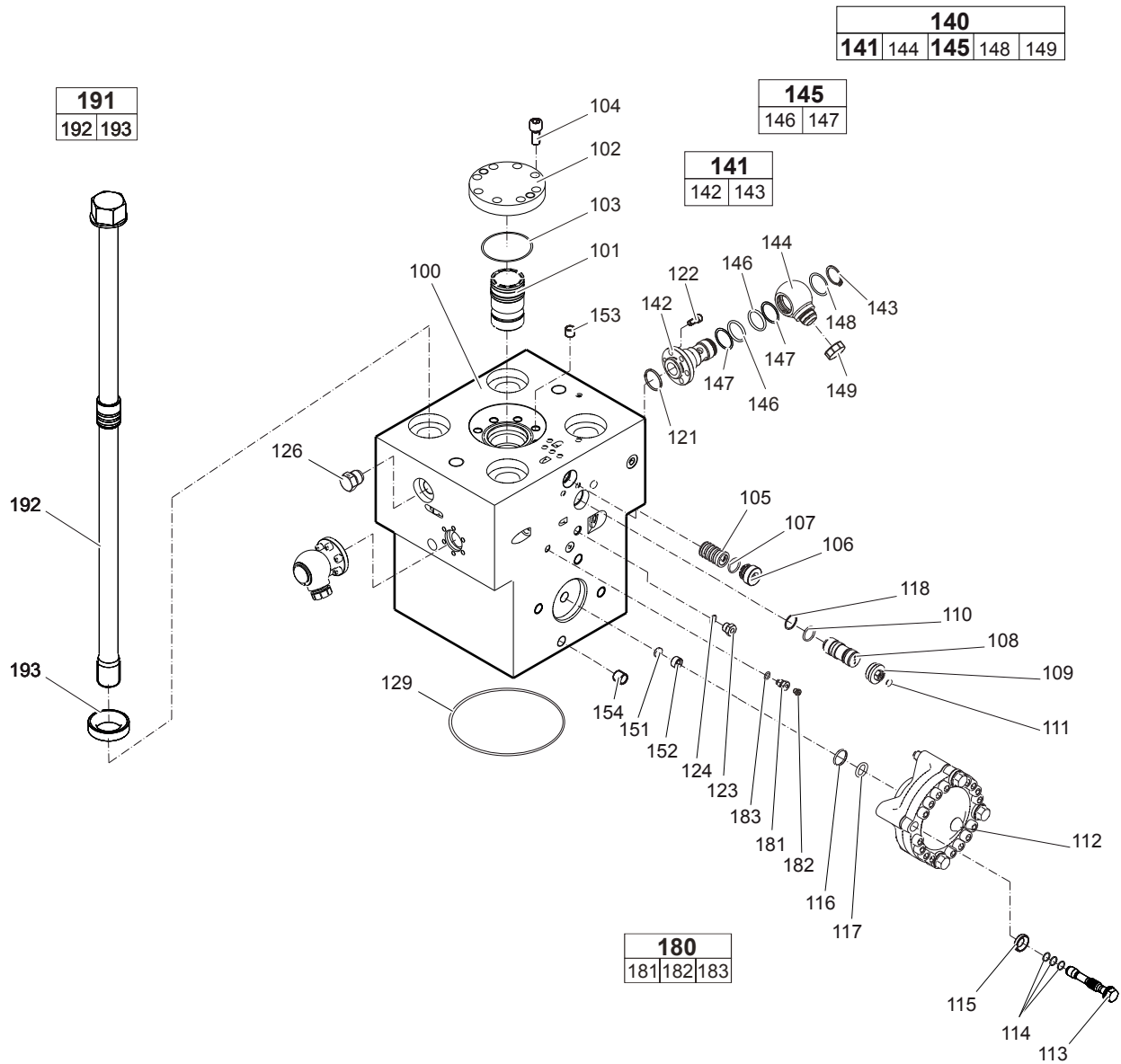
No.	Description	Remark	Quantity	Part number
1	Percussion unit	see separate chapter	1	-
2	Elastic pad		1	3363 1027 59
3	Shock absorber		2	3363 1027 55
4	Guide plate		2	3362 2698 03
5	Guide plate		2	3362 2652 15
7	Plate		1	3363 0862 37
20(21-24)	Transport safety device complete		1	3363 0948 26
21	Transport safety device		1	-
22	Allen screw		2	3360 1141 51
23	Label transport safety device		1	3363 0918 72
24	Nut		2	3360 1032 55
31	Plate		2	3363 0948 13
32	Pair of lock washers		6	3361 8505 96
33	Allen screw		6	3360 1037 50
34	Cover		2	3363 0311 81
35	Plate		1	3363 0948 64
36	Pair of lock washers		3	3361 8507 48
37	Allen screw		3	3360 1037 75
38	Plug		11	3363 0860 17
39	Cover		1	3363 0926 97
40	Swivel joint cover		1	3363 1113 35
41	Swivel joint cover		1	3363 1113 45
42	Pair of lock washers		2	3363 1112 96
43	Allen screw		2	3362 3284 80
95	Lifting eye	professional welding process necessary	2	3363 1119 95
99	Breaker box		1	3363 1032 10
500	ContiLube® II	see separate <i>Safety and operating instructions</i>	1	3363 0671 23
550	Connecting kit for ContiLube® II	see separate chapter	1	3363 0948 71

Hydraulic breaker HB 4700 DustProtector



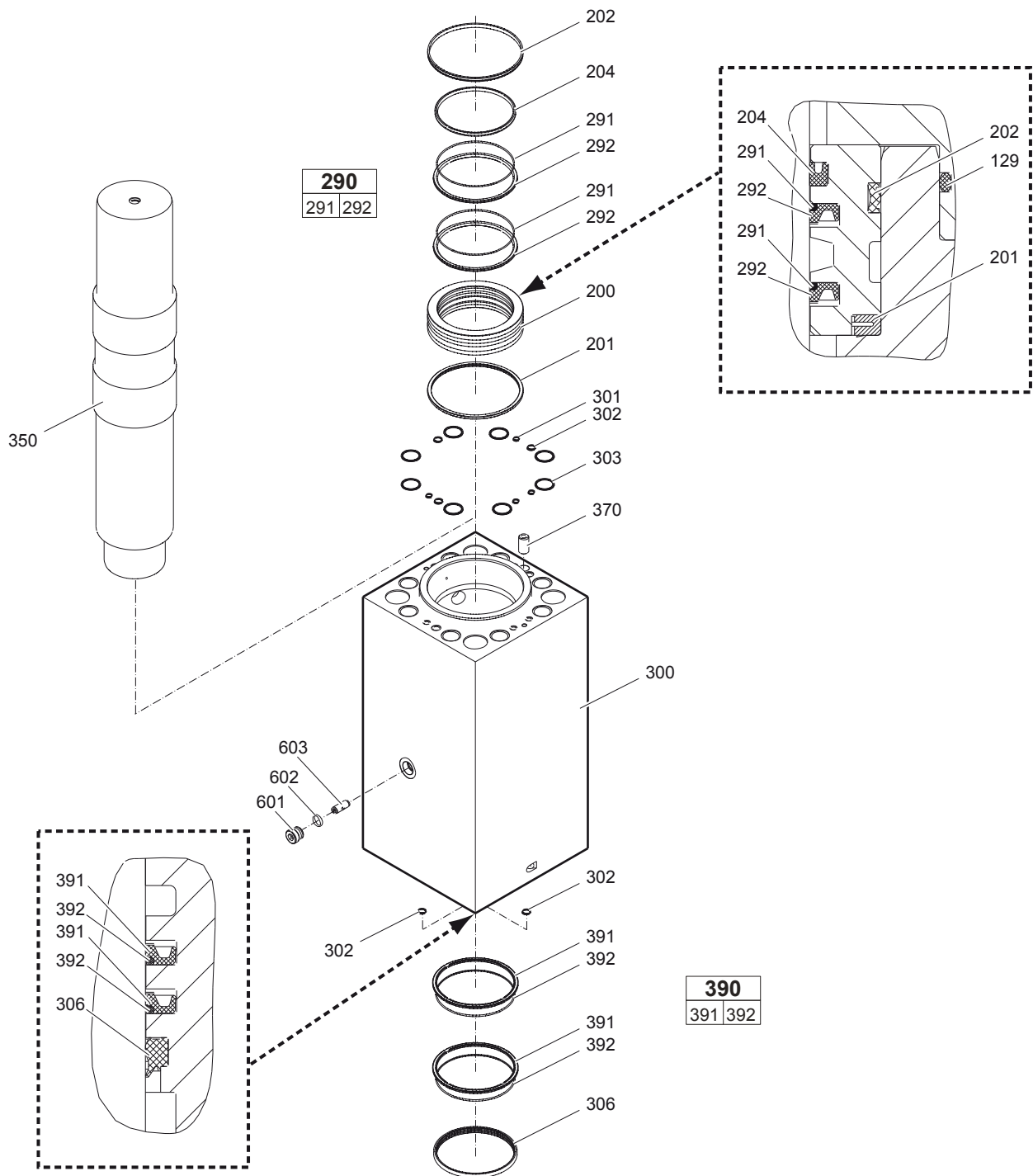
No.	Description	Remark	Quantity	Part number
1	Percussion unit	see separate chapter Note: When ordering a percussion unit for DustProtector version it is imperative to order additionally the base for wiper (no. 18) and the wiper (no. 19).	1	-
2	Elastic pad		1	3363 1027 59
3	Shock absorber		2	3363 1027 55
4	Guide plate		2	3362 2698 03
5	Guide plate		2	3362 2652 15
7	Plate		1	3363 0862 37
11	Floating ring	tribolid steel see chapter <i>Optional parts</i>	1	3363 1044 27
12	Counter ring		1	3363 1044 25
13	Guide ring		1	3363 1044 29
14	Bolt		2	3363 0706 44
15	Locking bush		2	3361 8543 63
18	Base for wiper		1	3363 1050 45
19	Wiper		1	3363 1050 47
20(21-24)	Transport safety device complete		1	3363 0948 26
21	Transport safety device		1	-
22	Allen screw		2	3360 1141 51
23	Label transport safety device		1	3363 0918 72
24	Nut		2	3360 1032 55
31	Plate		2	3363 0948 13
32	Pair of lock washers		6	3361 8505 96
33	Allen screw		6	3360 1037 50
34	Cover		2	3363 0311 81
35	Plate		1	3363 0948 64
36	Pair of lock washers		3	3361 8507 48
37	Allen screw		3	3360 1037 75
38	Plug		11	3363 0860 17
39	Allen screw		1	3363 0926 97
40	Swivel joint cover		1	3363 1113 35
41	Swivel joint cover		1	3363 1113 45
42	Pair of lock washers		2	3363 1112 96
43	Allen screw		2	3362 3284 80
95	Lifting eye	professional welding process necessary	2	3363 1119 95
98	Breaker box		1	3363 1032 11
500	ContiLube® II	see separate <i>Safety and operating instructions</i>	1	3363 0671 23
550	Connecting kit for ContiLube® II	see separate chapter	1	3363 0948 71

Percussion unit part 1: cylinder cover



No.	Description	Remark	Quantity	Part number
100	Cylinder cover	with no. 151 - 154	1	3363 1038 72
101	Main control valve		1	3363 1050 13
102	Cover		1	3363 1050 15
103	O-ring		1	3360 3148 49
104	Allen screw		6	3360 0267 82
105	Frequency switching valve	AutoControl	1	3363 0354 53
106	Threaded plug		1	3363 0354 25
107	O-ring		1	3360 3143 70
108	Safety valve	PowerAdapt Only in exchange for the part to be replaced. Consult the Atlas Copco Customer Center/Dealer in your area.	1	3363 0852 70
109	Threaded plug		1	3363 0870 86
110	Back-up ring		1	3363 0870 85
111	Plug		1	3363 0870 87
112	HP-accumulator		1	3363 0949 81
113	Fastening screw	each fastening screw with 3 o-rings no. 114	4	3363 1131 01
114	Service kit O-rings	12 o-rings for all 4 fastening screws no. 113	1	3363 1147 30
115	Washer		4	3363 1000 49
116	Back-up ring		1	3360 3280 46
117	O-ring		1	3360 3143 64
118	O-ring		1	3363 1104 01
121	O-ring		2	3360 3143 73
122	Allen screw		12	3360 1037 50
123	Connecting screw		1	3361 8546 57
124	O-ring		1	3360 4781 71
126	Non-return valve		1	3361 8545 11
129	O-ring		1	3363 1038 03
140(141,144,145,148-149)	Swivel joint complete		2	3362 2699 99
141(142-143)	Adapter complete		1	3363 1034 71
142	Adapter		1	-
143	Snapping		1	3363 1031 33
144	Adapter		1	3361 3566 43
145(146-147)	Seal kit		1	3361 8504 22
146	O-ring		2	-
147	Back-up ring		2	-
148	Disk		1	3361 3566 45
149	Cap		1	3361 3534 89
151	Strainer disk		1	3361 8441 13
152	Threaded plug		1	3361 8441 15
153	Threaded insert		8	3361 0315 29
154	Threaded insert		4	3361 0315 46
180(181-183)	Filling valve complete		1	3363 0872 86
181	Filling valve		1	-
182	Threaded plug		1	3360 4784 26
183	O-ring		1	3360 1751 25
191(192-193)	Tensioning bolt complete		4	3363 1038 35
192	Tensioning bolt		1	3363 1050 03
193	Washer		1	3363 0936 53

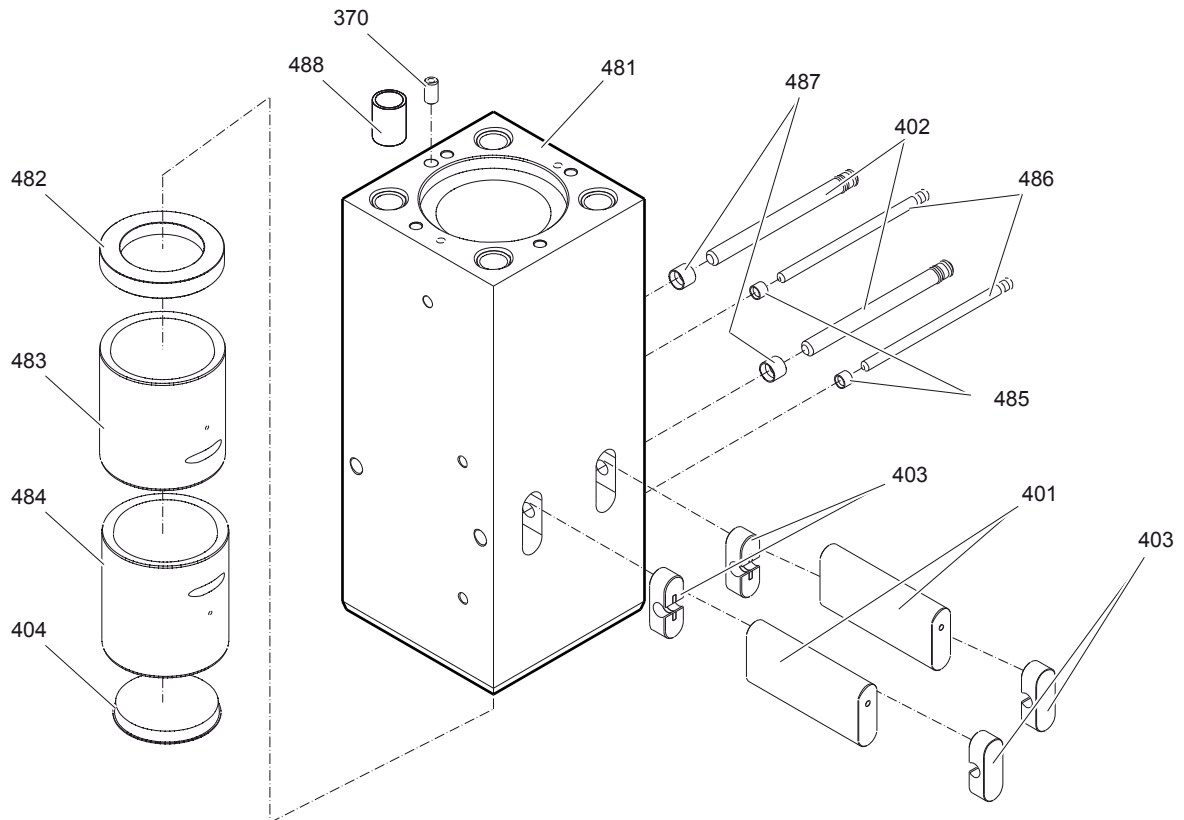
Percussion unit part 2: cylinder



No.	Description	Remark	Quantity	Part number
200	Seal bush		1	3363 1050 17
201	Ring		1	3363 1050 19
202	Seal		1	3363 1038 74
204	Seal		1	3363 1038 04
290(291-292)	Seal kit		2	3363 1038 37
291	Back-up ring		1	-
292	Seal		1	-
300	Cylinder	with no. 601 - 603	1	3363 1038 15
301	Seal		4	3362 2675 83
302	Seal		5	3362 2675 85
303	Seal		8	3362 2675 89
306	Wiper		1	3363 1038 05
350	Percussion piston		1	3363 1038 28
370	Lock pin		1	3360 9214 13
390(391-392)	Seal kit		2	3363 1038 38
391	Seal		1	-
392	Back-up ring		1	-
601	Plug		1	3363 0825 93
602	O-ring		1	3363 0832 45
603	Valve	StartSelect	1	3363 0825 05

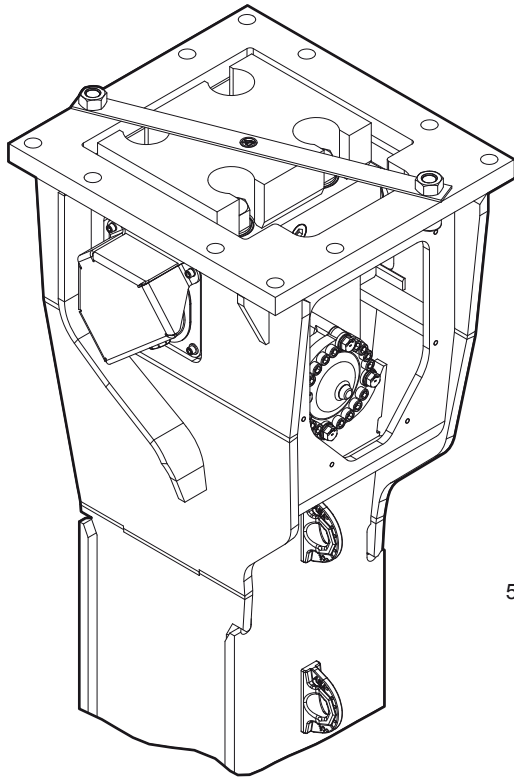
Percussion unit part 3: lower breaker part

480							
481	482	483	484	485	486	487	488

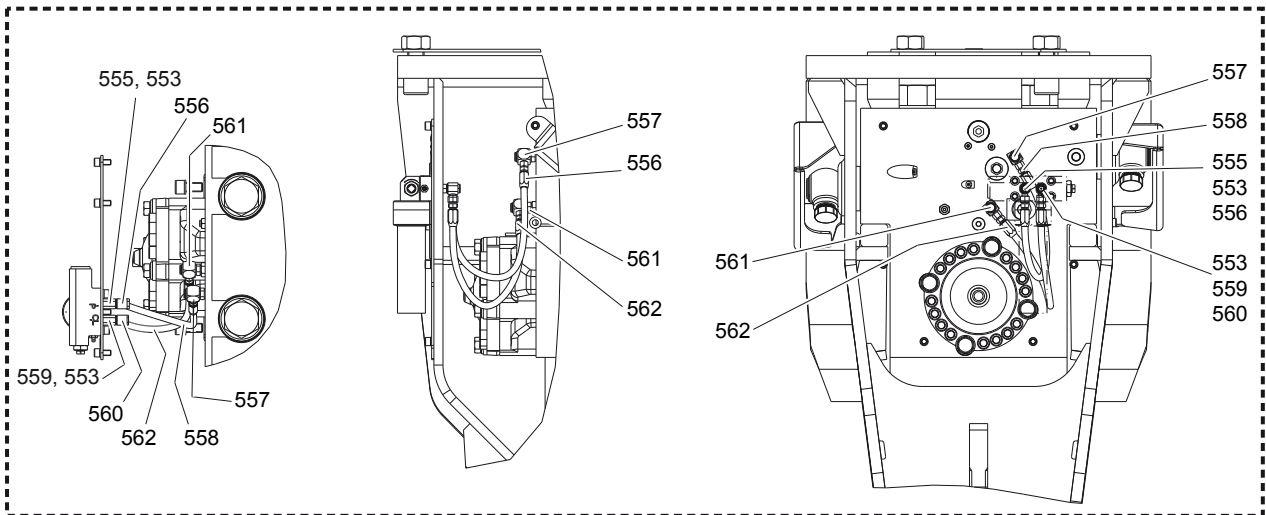
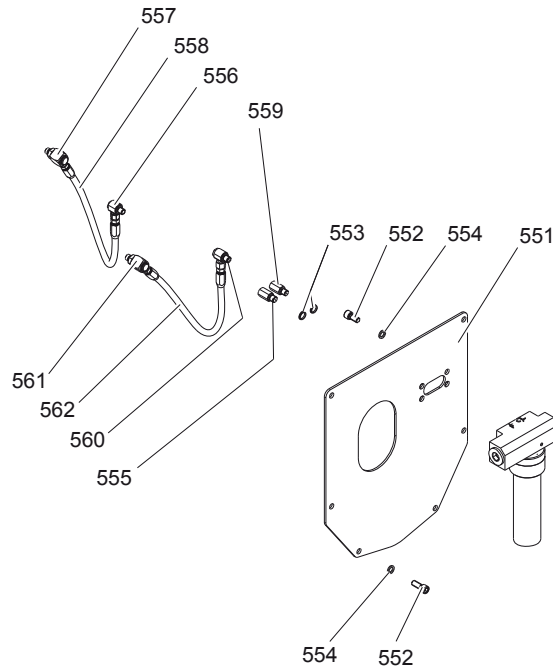


No.	Description	Remark	Quantity	Part number
370	Lock pin		1	3360 9214 13
401	Retainer bar		2	3361 3315 29
402	Bolt		2	3362 2615 40
403	Plug		4	3362 2629 21
404	Protective cap		1	3363 1038 06
480(481-488)	Lower breaker part complete	Note: When ordering a lower breaker part for DustProtector version it is imperative to order additionally the base for wiper (no. 18) and the wiper (no. 19).	1	3363 1038 18
481	Lower breaker part		1	-
482	Buffer ring		1	3363 1050 37
483	Wear bush		1	3363 1050 39
484	Wear bush	steel bronze see chapter <i>Optional parts</i>	1	3363 1050 41
485	Locking bush		2	3361 8543 63
486	Bolt		2	3363 1050 43
487	Locking bush		2	3362 2604 33
488	Threaded insert		4	3363 0853 21

Connecting kit for ContiLube® II

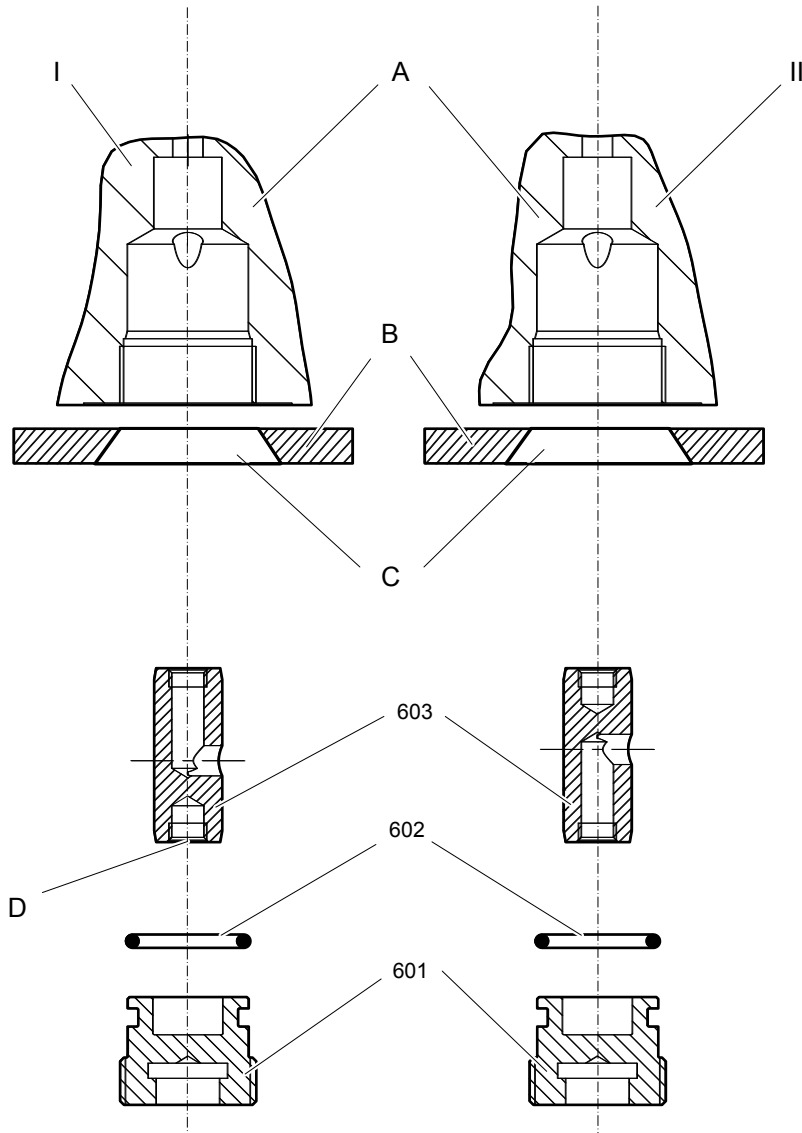


550											
551	552	553	554	555	556	557	558	559	560	561	562



No.	Description	Remark	Quantity	Part number
550(551-562)	Connecting kit		1	3363 0948 71
551	Support		1	3363 0948 63
552	Allen screw	secure all 4 Allen screws screwed in the ContiLube® II with Loctite 243	10	3360 1037 50
553	Seal		2	3363 0669 51
554	Pair of lock washers		10	3361 8505 96
555	Adapter	secure with Loctite 243	1	3363 0687 45
556	Fitting	secure with Loctite 243	1	3363 0662 34
557	Fitting	secure with Loctite 243	1	3363 0871 85
558	Hydraulic hose	Oil line secure with Loctite 243 Route the hydraulic hoses as shown on the drawing. It must be ensured that the hydraulic hoses can move freely and are not in contact at any point.	1	3363 0838 79
559	Adapter	secure with Loctite 243	1	3363 0668 87
560	Fitting	secure with Loctite 243	1	3363 0662 33
561	Fitting	secure with Loctite 243	1	3363 0871 86
562	Hydraulic hose	Grease line secure with Loctite 243 Route the hydraulic hoses as shown on the drawing. It must be ensured that the hydraulic hoses can move freely and are not in contact at any point.	1	3363 0838 76

StartSelect - AutoStart or AutoStop



No.	Description	Remark	Quantity	Part number
601	Plug		1	3363 0825 93
602	O-ring		1	3363 0832 45
603	Valve	StartSelect	1	3363 0825 05

I = AutoStop setting

II = AutoStart setting (standard setting on delivery)

A. Port bore in cylinder

B. Wall of breaker box

C. Plug of breaker box

D. M 10 thread (both ends) for mounting

The position of the StartSelect unit is shown on the percussion unit illustrations.

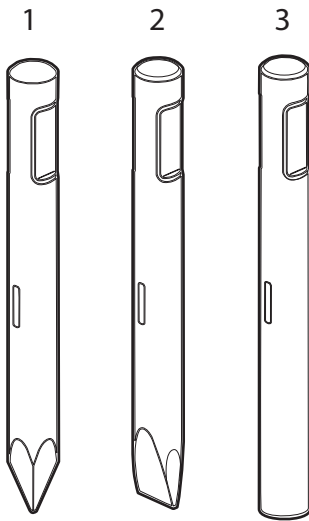
Optional parts

No.	Description	Remark	Quantity	Part number
11	Floating ring	steel	1	3363 1044 23
484	Wear bush	bronze	1	3363 1050 51

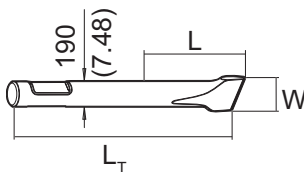
Tightening torques

No.	Description	Tightening torque	Remark
33	Allen screw	85 Nm	Allen key size 10
43	Allen screw	85 Nm	Allen key size 10
104	Allen screw	380 Nm	Allen key size 17
106	Threaded plug	300 Nm	Allen key size 22
109	Threaded plug	300 Nm	Socket spanner size 24
112	Expansion bolt		Socket spanner size 30 1. Treat the threads and threaded inserts for the expansion bolts with an Anti-Seize agent. 2. Treat the surfaces between the bolt head, washer, and HP-accumulator cover with Anti-Seize. 3. Place on the HP-accumulator, and tighten the expansion bolts by hand in a crosswise fashion. 4. Pretighten the expansion bolts to 80 Nm, proceeding in a crosswise fashion, 5. then tighten each bolt through 30° in a crosswise fashion, 6. finally tighten each bolt again through 60° in a crosswise fashion.
122	Allen screw	80 Nm	Allen key size 10
126	Non-return valve	200 Nm	Jaw spanner size 41
181	Filling valve	130 Nm	Socket spanner size 22
182	Threaded plug	20 Nm	Allen key size 5
192	Tensioning bolt		Torque wrench or Power wrench size 75 1. Pretighten the tensioning bolts to 500 Nm, proceeding in a crosswise fashion, 2. then tighten each tensioning bolt through 180° (3 sides of hexagonal head) in a crosswise fashion, 3. finally tighten each tensioning bolt again through 120° (2 sides of hexagonal head) in a crosswise fashion.
552	Allen screw	85 Nm	Allen key size 10
555	Adapter	55 Nm	Open-ended wrench size 19
556	Fitting	55 Nm	Open-ended wrench size 19, 22
557	Fitting	60 Nm	Open-ended wrench size 19, 22, 27
558	Hydraulic hose oil line	42 Nm	Open-ended wrench size 19
559	Adapter	45 Nm	Open-ended wrench size 19
560	Fitting	45 Nm	Open-ended wrench size 17, 19, 22
561	Fitting	50 Nm	Open-ended wrench size 17, 22, 27
562	Hydraulic hose grease line	16 Nm	Open-ended wrench size 17
601	Plug	200 Nm	Allen key size 17

Working Tools



HB 4700



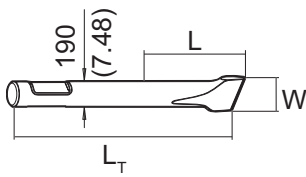
Metric

No.	Description	Remark	W (mm)	L (mm)	L _T (mm)	Wt (kg)	Part number
1	Moil point	ClassicLine		660	1450	277.0	3363 1038 45
1	Moil point	ClassicLine		860	1650	322.0	3363 1038 46
1	Moil point	SilverLine		860	1650	322.0	3363 1038 53
2	Chisel (cross)	ClassicLine	190	660	1450	290.0	3363 1038 48
2	Chisel (cross)	ClassicLine	190	860	1650	335.0	3363 1038 49
2	Chisel (cross)	SilverLine	190	860	1650	335.0	3363 1038 54
3	Blunt tool	ClassicLine		660	1450	313.0	3363 1038 43
3	Blunt tool	ClassicLine		860	1650	358.0	3363 1050 55
3	Blunt tool	SilverLine		860	1650	358.0	3363 1050 59

Imperial

No.	Description	Remark	W (in.)	L (in.)	L _T (in.)	Wt (lb)	Part number
1	Moil point	ClassicLine		25.98	57.09	610.7	3363 1038 45
1	Moil point	ClassicLine		33.86	64.96	709.9	3363 1038 46
1	Moil point	SilverLine		33.86	64.96	709.9	3363 1038 53
2	Chisel (cross)	ClassicLine	7.48	25.98	57.09	639.3	3363 1038 48
2	Chisel (cross)	ClassicLine	7.48	33.86	64.96	738.6	3363 1038 49
2	Chisel (cross)	SilverLine	7.48	33.86	64.96	738.6	3363 1038 54
3	Blunt tool	ClassicLine		25.98	57.09	690.1	3363 1038 43
3	Blunt tool	ClassicLine		33.86	64.96	789.3	3363 1050 55
3	Blunt tool	SilverLine		33.86	64.96	789.3	3363 1050 59

HB 4700 DustProtector



Metric

No.	Description	Remark	W (mm)	L (mm)	L _T (mm)	Wt (kg)	Part number
1	Moil point	ClassicLine		605	1450	277.0	3363 1038 45
1	Moil point	ClassicLine		805	1650	322.0	3363 1038 46
1	Moil point	SilverLine		805	1650	322.0	3363 1038 53
2	Chisel (cross)	ClassicLine	190	605	1450	290.0	3363 1038 48
2	Chisel (cross)	ClassicLine	190	805	1650	335.0	3363 1038 49
2	Chisel (cross)	SilverLine	190	805	1650	335.0	3363 1038 54
3	Blunt tool	ClassicLine		605	1450	313.0	3363 1038 43
3	Blunt tool	ClassicLine		805	1650	358.0	3363 1050 55
3	Blunt tool	SilverLine		805	1650	358.0	3363 1050 59

Imperial

No.	Description	Remark	W (in.)	L (in.)	L _T (in.)	Wt (lb)	Part number
1	Moil point	ClassicLine		23.82	57.09	610.7	3363 1038 45
1	Moil point	ClassicLine		31.69	64.96	709.9	3363 1038 46
1	Moil point	SilverLine		31.69	64.96	709.9	3363 1038 53
2	Chisel (cross)	ClassicLine	7.48	23.82	57.09	639.3	3363 1038 48
2	Chisel (cross)	ClassicLine	7.48	31.69	64.96	738.6	3363 1038 49
2	Chisel (cross)	SilverLine	7.48	31.69	64.96	738.6	3363 1038 54
3	Blunt tool	ClassicLine		23.82	57.09	690.1	3363 1038 43
3	Blunt tool	ClassicLine		31.69	64.96	789.3	3363 1050 55
3	Blunt tool	SilverLine		31.69	64.96	789.3	3363 1050 59

Accessories

Hydraulic hoses

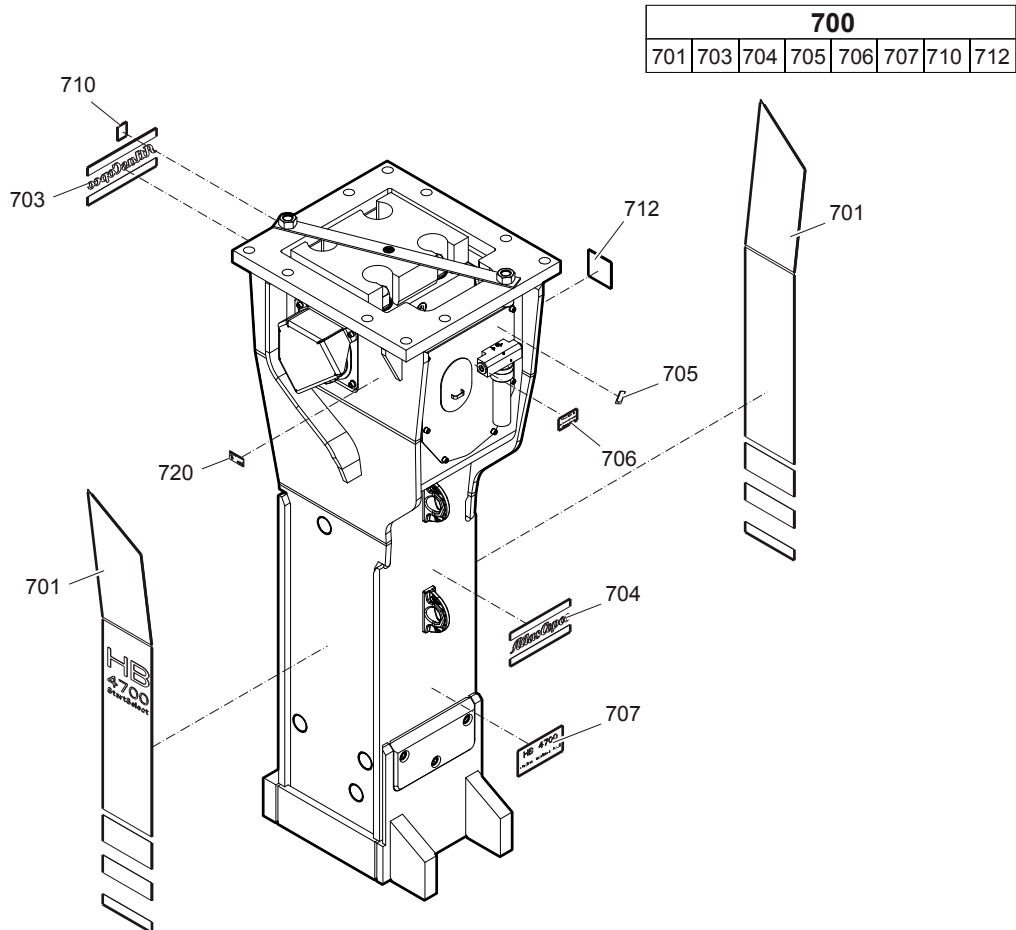
Description	Remark	Quantity	Part number
Hose	I.D. 32 (1 1/4"), both ends JIC 1 5/8", length 2800 mm (110 in.)	2	3361 8538 60
Hose	I.D. 32 (1 1/4"), both ends JIC 1 5/8", length 3500 mm (138 in.)	2	3361 8538 61

Optional equipment

Description	Remark	Quantity	Part number
Chisel paste for ContiLube® II	12 x 500 g (1.1 lbs)	1	3363 0912 00
Grease gun for cartridge ContiLube® II		1	3363 0345 67
Grease nipple		1	3360 4337 74
Service box no. II with nitrogen cylinder	5 l 1.1 gal (1.32 US gal)	1	3363 0898 45
Service box no. III without nitrogen cylinder		1	3363 0949 40
Test gauge lower wear bush		1	3363 1046 53
Inside callipers upper wear bush		1	3363 0949 52
Adapter plate matching the carrier	Consult the Atlas Copco Customer Center/Dealer in your area.	1	-
Base plate with threaded inserts		1	3363 1047 27
Bolt kit		1	3363 0873 04
Base plate with through borings		1	3363 1047 25
Bolt kit		1	3363 0945 76
Allen key	27 mm for bolt kit	1	3360 4789 49
Adapter kit for underwater applications		1	3363 0905 31
Piston retainer		1	3363 1050 61

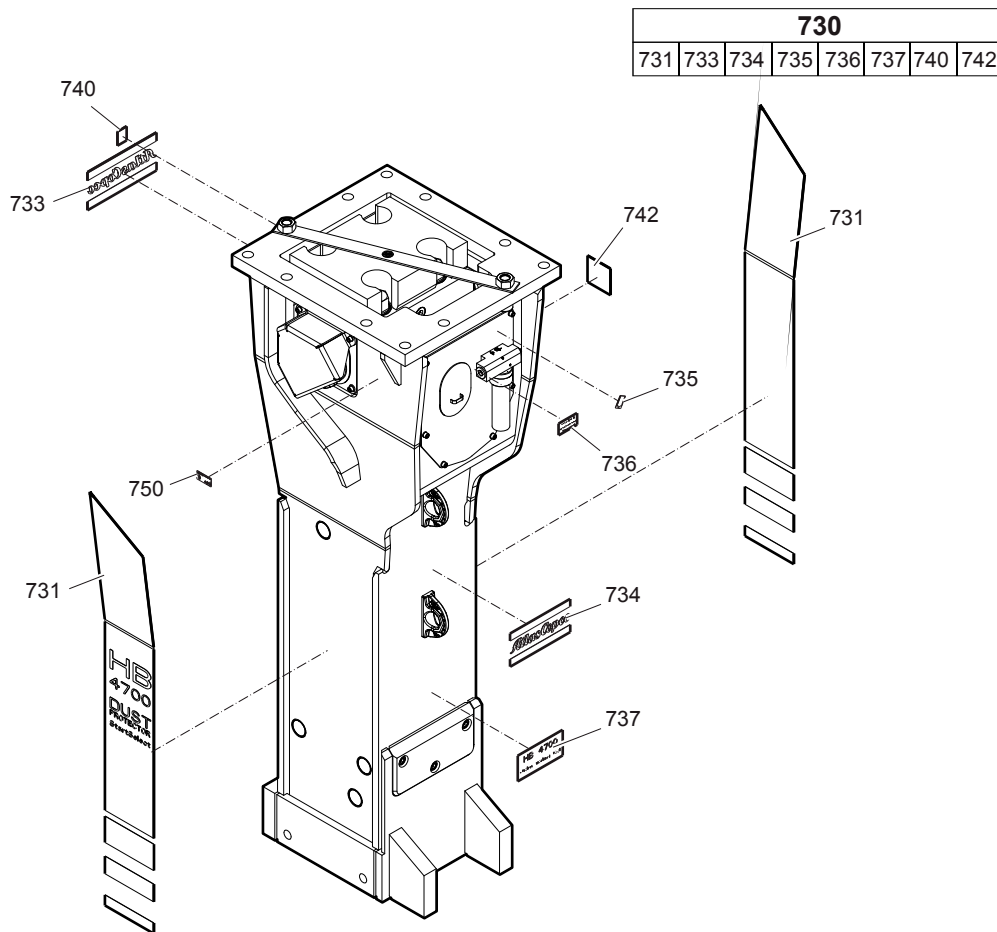
Kits

Label kit HB 4700



No.	Description	Remark	Quantity	Part number
700(701-712)	Label kit HB 4700		1	3363 1038 39
701	Product label	"HB 4700"	2	-
703	Product label	"Atlas Copco"	1	-
704	Product label	"Atlas Copco"	1	-
705	Lubricating symbol		1	-
706	Label gas pressure		1	-
707	Label working tools		1	-
710	Sound power label		1	-
712	Label AEM		1	-
720	Name plate	Consult the Atlas Copco Customer Center/Dealer in your area.	1	-

Label kit HB 4700 DustProtector



No.	Description	Remark	Quantity	Part number
730(731-742)	Label kit HB 4700 DP		1	3363 1038 40
731	Product label	"HB 4700 DP"	2	-
733	Product label	"Atlas Copco"	1	-
734	Product label	"Atlas Copco"	1	-
735	Lubricating symbol		1	-
736	Label gas pressure		1	-
737	Label working tools		1	-
740	Sound power label		1	-
742	Label AEM		1	-
750	Name plate	Consult the Atlas Copco Customer Center/Dealer in your area.	1	-

Seal kit

No.	Description	Remark	Quantity	Part number
	Seal kit		1	3363 1038 36
103	O-ring		1	3360 3148 49
107	O-ring		2	3360 3143 70
110	Back-up ring		1	3363 0870 85
115	Back-up ring		1	3360 3280 46
116	O-ring		1	3360 3143 64
121	O-ring		2	3360 3143 73
124	O-ring		1	3360 4781 71
129	O-ring		1	3363 1038 03
145(146-147)	Seal kit		2	3361 8504 22
146	O-ring		2	-
147	Back-up ring		2	-
182	Threaded plug		1	3360 4784 26
183	O-ring		1	3360 1751 25
202	Seal		1	3363 1038 74
204	Seal		1	3363 1038 04
290(291-292)	Seal kit		2	3363 1038 37
291	Back-up ring		1	-
292	Seal		1	-
301	Seal		4	3362 2675 83
302	Seal		5	3362 2675 85
303	Seal		8	3362 2675 89
306	Wiper		1	3363 1038 05
390(391-392)	Seal kit		2	3363 1038 38
391	Seal		1	-
392	Back-up ring		1	-
602	O-ring		1	3363 0832 45

Seal kit for swivel joint (ContiLube® II)

No.	Description	Remark	Quantity	Part number
	Seal kit		1	3363 0917 32

Plastic parts kit

No.	Description	Remark	Quantity	Part number
	Plastic parts kit		1	3363 0948 69
2	Elastic pad		1	3363 1027 59
3	Shock absorber		2	3363 1027 55
4	Guide plate		2	3362 2698 03
5	Guide plate		2	3362 2652 15
7	Plate		1	3363 0862 37

Tensioning bolt kit

No.	Description	Remark	Quantity	Part number
	Tensioning bolt kit		1	3363 1038 59
192	Tensioning bolt		2	3363 1050 03
193	Washer		2	3363 0936 53
488	Threaded insert		2	3363 0853 21
870	Anti Seize 120 g		1	3363 0943 00

DustProtector kit

No.	Description	Remark	Quantity	Part number
	DustProtector kit		1	3363 1038 60
11	Floating ring		1	3363 1044 27
12	Counter ring		1	3363 1044 25
13	Guide ring		1	3363 1044 29
14	Bolt		2	3363 0706 44
15	Locking bush		2	3361 8543 63

Noise protection kit

No.	Description	Remark	Quantity	Part number
	Noise protection kit		1	3363 1064 11
34	Cover		2	3363 0311 81
38	Plug		11	3363 0860 17
39	Cover		1	3363 0926 97

Lower breaker part kit (steel)

No.	Description	Remark	Quantity	Part number
	Lower breaker part kit	HB 4700 with lower wear bush steel	1	3363 1038 63
401	Retainer bar		2	3361 3315 29
402	Bolt		2	3362 2615 40
403	Plug		4	3362 2629 21
482	Buffer ring		1	3363 1050 37
483	Wear bush		1	3363 1050 39
484	Wear bush	steel	1	3363 1050 41
485	Locking bush		2	3361 8543 63
486	Bolt		2	3363 1050 43
487	Locking bush		2	3362 2604 33
850	Chisel paste		1	3315 0381 00
860	Test gauge		1	3363 1047 33

Lower breaker part kit (bronze)

No.	Description	Remark	Quantity	Part number
	Lower breaker part kit	HB 4700 with lower wear bush bronze	1	3363 1038 61
401	Retainer bar		2	3361 3315 29
402	Bolt		2	3362 2615 40
403	Plug		4	3362 2629 21
482	Buffer ring		1	3363 1050 37
483	Wear bush		1	3363 1050 39
484	Wear bush	bronze	1	3363 1050 51
485	Locking bush		2	3361 8543 63
486	Bolt		2	3363 1050 43
487	Locking bush		2	3362 2604 33
850	Chisel paste		1	3315 0381 00
860	Test gauge		1	3363 1047 33

Lower breaker part kit DustProtector (steel)

No.	Description	Remark	Quantity	Part number
	Lower breaker part kit	HB 4700 DustProtector with lower wear bush steel	1	3363 1038 64
18	Base for wiper		1	3363 1050 45
19	Wiper		1	3363 1050 47
401	Retainer bar		2	3361 3315 29
402	Bolt		2	3362 2615 40
403	Plug		4	3362 2629 21
482	Buffer ring		1	3363 1050 37
483	Wear bush		1	3363 1050 39
484	Wear bush	steel	1	3363 1050 41
485	Locking bush		2	3361 8543 63
486	Bolt		2	3363 1050 43
487	Locking bush		2	3362 2604 33
850	Chisel paste		1	3315 0381 00
860	Test gauge		1	3363 1047 33

Lower breaker part kit DustProtector (bronze)

No.	Description	Remark	Quantity	Part number
	Lower breaker part kit	HB 4700 DustProtector with lower wear bush bronze	1	3363 1038 62
18	Base for wiper		1	3363 1050 45
19	Wiper		1	3363 1050 47
401	Retainer bar		2	3361 3315 29
402	Bolt		2	3362 2615 40
403	Plug		4	3362 2629 21
482	Buffer ring		1	3363 1050 37
483	Wear bush		1	3363 1050 39
484	Wear bush	bronze	1	3363 1050 51
485	Locking bush		2	3361 8543 63
486	Bolt		2	3363 1050 43
487	Locking bush		2	3362 2604 33
850	Chisel paste		1	3315 0381 00
860	Test gauge		1	3363 1047 33

Expansion bolt kit

No.	Description	Remark	Quantity	Part number
	Expansion bolt kit		1	3363 1034 87
113	Expansion bolt		4	3363 1000 47
114	Washer		4	3363 1000 49
154	Threaded insert		4	3361 0315 46

Accumulator repair kit

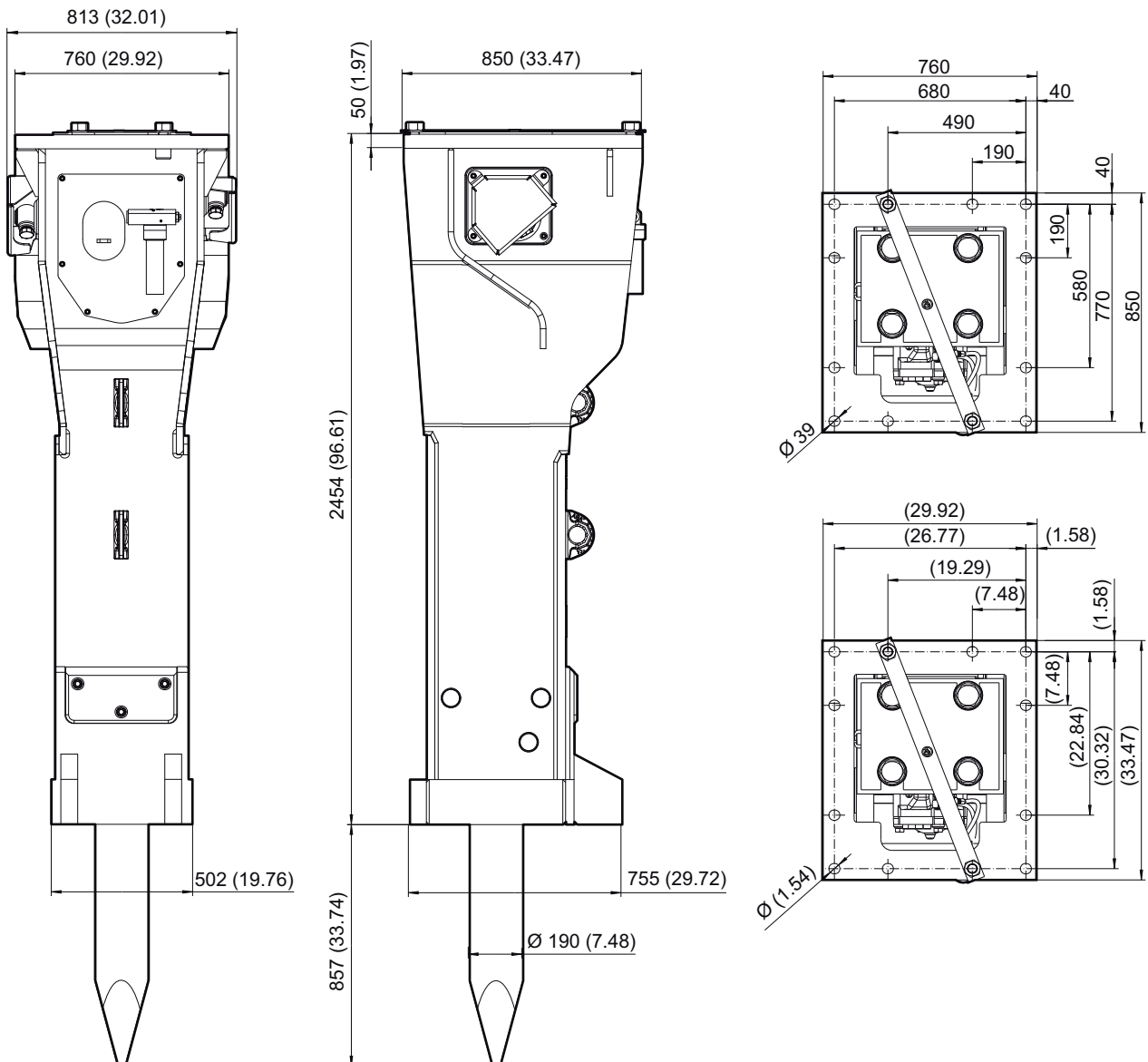
Accumulators are pressure containers in the context of the European Pressure Equipment Directive 97/23/EC. You have to observe all safety instructions comply with the laws and all national/regional regulations of your country if you repair accumulators.

No.	Description	Remark	Quantity	Part number
	Accumulator repair kit		1	3363 0898 50
	Diaphragm		1	3361 3290 22
	Filling screw		1	3360 3322 59
	O-ring		1	3360 3144 60
	Protective cap		1	3361 3350 25
	O-ring		1	3360 3143 64
	Back-up ring		1	3360 3280 46

Dimensions

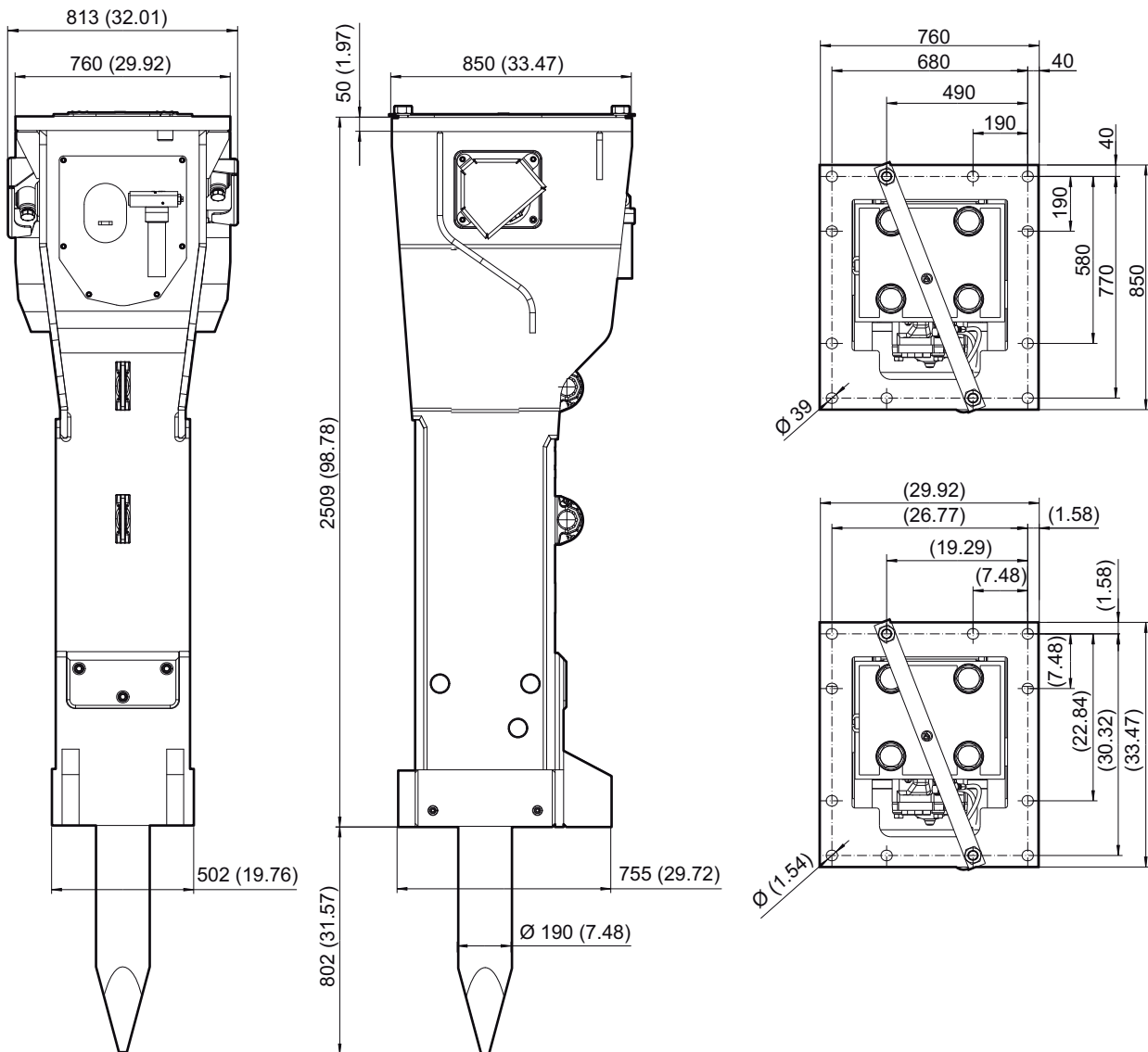
Dimensions HB 4700

mm (inch)



Dimensions HB 4700 DustProtector

mm (inch)



Any unauthorized use or copying of the contents or any part thereof is prohibited.
This applies in particular to trademarks, model denominations, part numbers, and
drawings.

© 2013 Atlas Copco Construction Tools GmbH | No. 3390 7437 01 | 2013-01-28

Atlas Copco

www.atlascopco.com