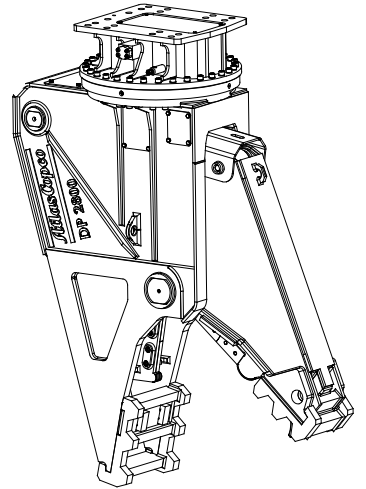


Spare parts list Demolition pulverizer

	Valid from serial number
Demolition pulverizer DP 2800	110



Contents

General information	5
Spare parts list	6
Demolition pulverizer DP 2800, from serial number 148	6
Demolition pulverizer DP 2800, up to serial number 147	8
Pulverizer jaw	10
Hydraulic cylinder	12
Protective sheath	14
Upper part complete, up to serial number 147	16
Upper part complete, from serial number 148	18
Rotary transmission	20
Tightening torques	22
Accessories	23
Hydraulic hoses	23
Optional equipment	23
Kits	24
Label kit	24
Cutter blades kit	24
Tooth plate kit (Housing) Demolition	24
Tooth plate kit (Housing) Recycling	24
Tooth plate kit (Pulverizer jaw)	25
Seal kit (Hydraulic cylinder)	25
Seal kit (Hydraulic motor housing)	25
Seal kit (Hydraulic motor)	25
Seal kit for rapid movement valve	26
Dimensions	27

General information

This spare parts list applies to the following:

Part number	Description
3363 0925 01	Demolition pulverizer DP 2800

Use only authorized parts. Any damage or malfunction caused by the use of unauthorized parts is not covered by Warranty or Product Liability. Any unauthorized use or copying of the contents or any part thereof is prohibited. This applies in particular to trademarks, model denominations, part numbers, and drawings.

Instructions for use

This spare parts list contains no safety regulations and is merely intended to assist in the ordering of spare parts.

For information about operating, servicing, or repairing, the relevant Safety and operating instructions must be consulted at all costs.

Please observe the safety instructions listed in the relevant Safety and operating instructions!

Instructions of ordering

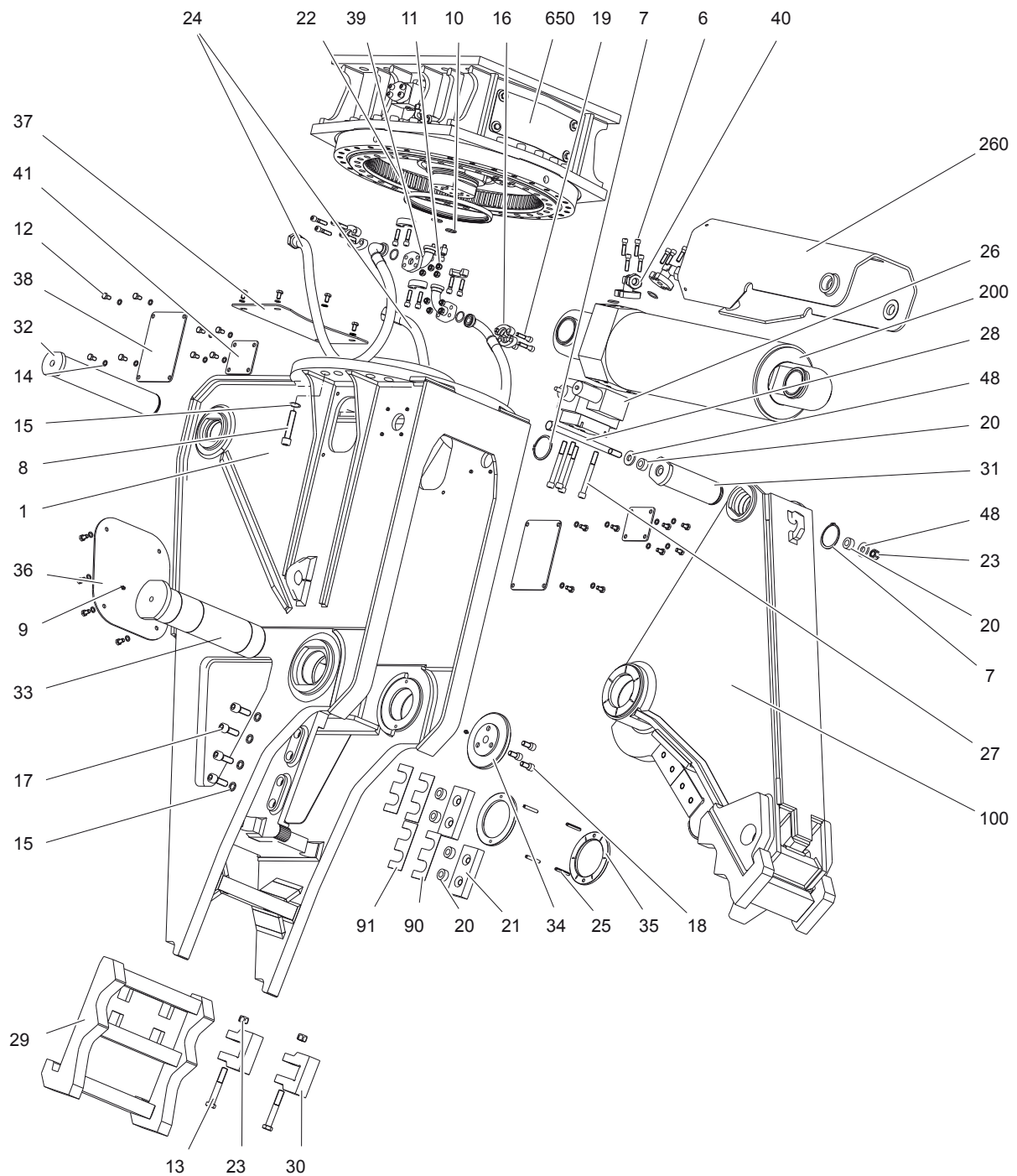
It is essential to indicate the serial number of the hydraulic attachment when ordering spare parts!

Determine the quantity of individual parts which are required and need to be ordered. The order must indicate the following details:

- full identification code of the hydraulic attachment
- required quantity
- part number
- description

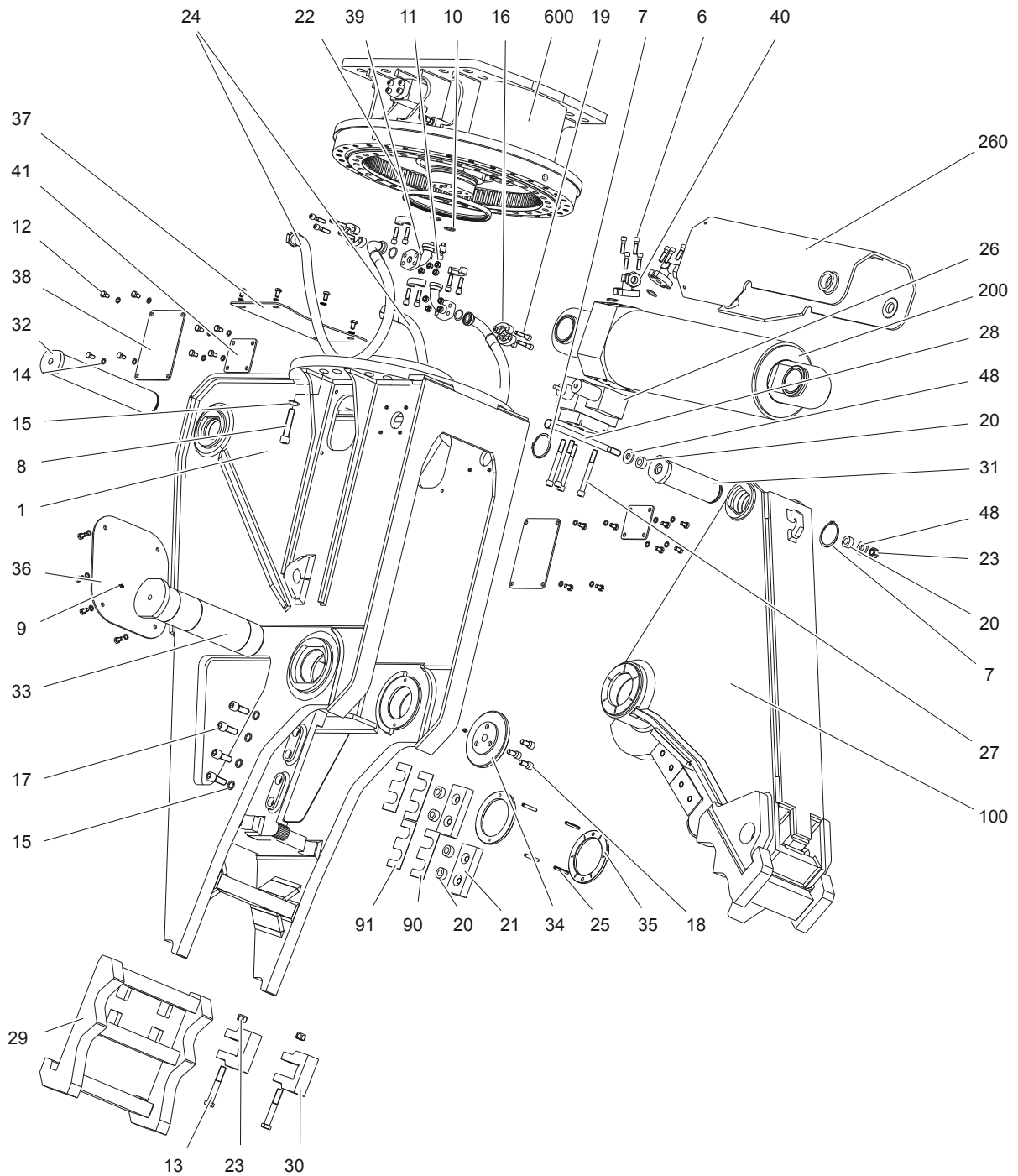
Spare parts list

Demolition pulverizer DP 2800, from serial number 148



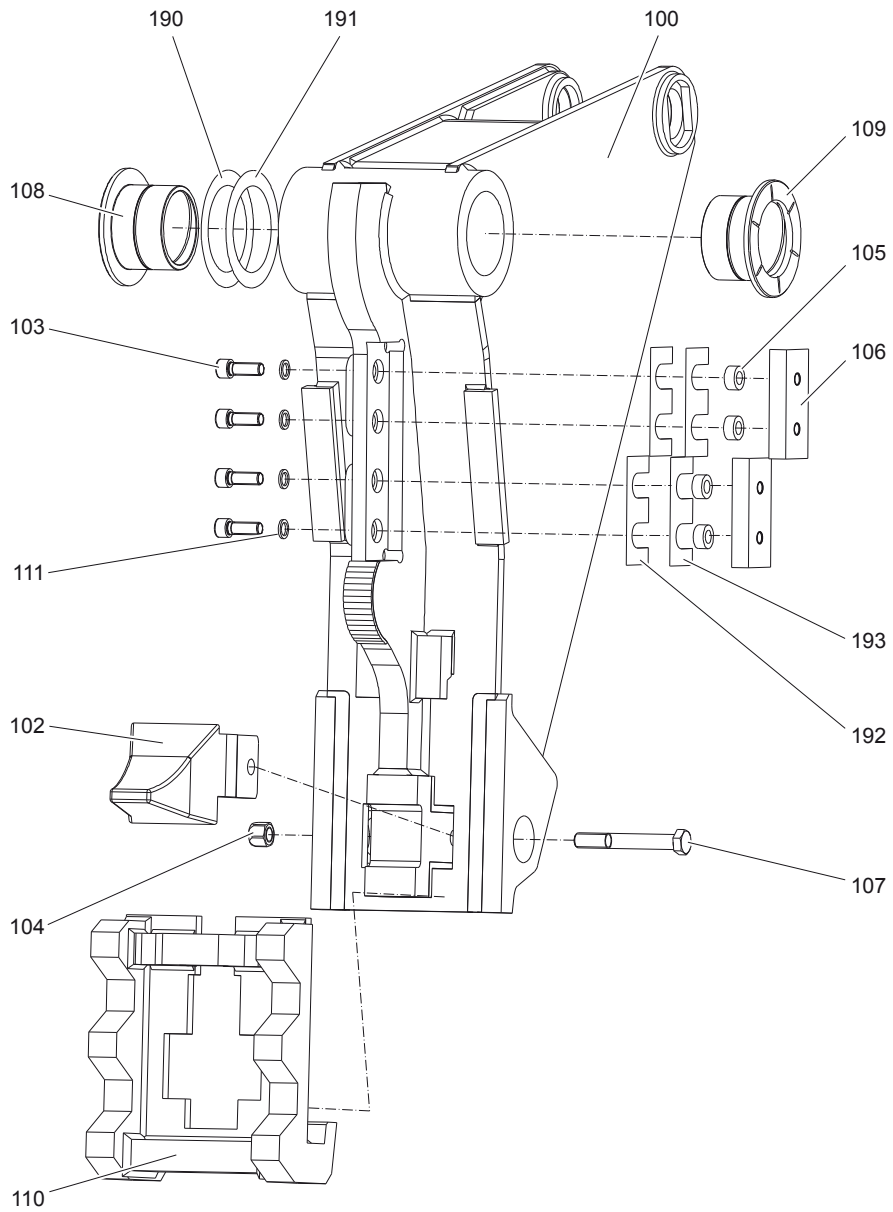
No.	Description	Remark	Quantity	Part number
1	Housing		1	3363 0925 03
6	Allen screw		16	3360 0265 13
7	Snapping		2	3360 0285 25
8	Allen screw		24	3360 1061 00
9	Grease nipple		2	3360 2098 34
10	O-ring		6	3360 3143 70
11	Hexagon nut		8	3360 4305 81
12	Hexagon head screw		24	3360 4333 81
13	Hexagon head screw		2	3360 4343 50
14	Pair of lock washers		24	3361 8505 96
15	Pair of lock washers		28	3361 8507 48
16	Flange half		8	3361 8532 08
17	Allen screw		4	3362 3280 57
18	Allen screw		3	3362 3281 13
19	Allen screw		8	3363 0315 93
20	Lock ring		6	3363 0351 07
21	Cutter blade		2	3363 0864 79
22	Rotary shaft seal		1	3363 0700 83
23	Hexagon nut		3	3363 0876 19
24	Hydraulic hose		2	3363 0919 78
25	Spring dowel sleeve		4	3363 0910 85
26	Rapid movement valve		1	3363 1036 91
27	Allen screw		4	3363 0910 92
28	Hexagon head screw		1	3363 1036 87
29	Tooth plate	demolition recycling see chapter <i>Optional equipment</i>	1	3363 1036 44
30	Fastener		2	3363 0925 71
31	Bolt		1	3363 0927 33
32	Bolt		1	3363 0927 35
33	Bolt		1	3363 0927 37
34	Cap		1	3363 0927 39
35	Wear ring		2	3363 0927 41
36	Plate		1	3363 0927 45
37	Plate		1	3363 0927 47
38	Plate		2	3363 0927 49
39	Connection		2	3363 0937 97
40	Flange connection		2	3362 2635 93
41	Plate		2	3363 1036 32
48	Disk		2	3363 1062 68
90	Spacer plate	1.0 mm thick, as required	2	3363 0876 07
91	Spacer plate	0.2 mm thick, as required	2	3363 0881 49
100	Pulverizer jaw complete	see separate chapter	1	3363 1036 45
200	Hydraulic cylinder complete	see separate chapter	1	3363 1036 40
260	Cover complete	see separate chapter	1	3363 1036 42
650	Upper part complete	see separate chapter	1	3363 1041 51

Demolition pulverizer DP 2800, up to serial number 147



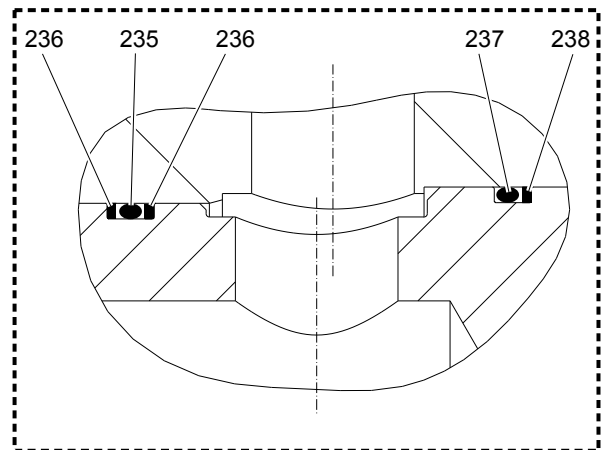
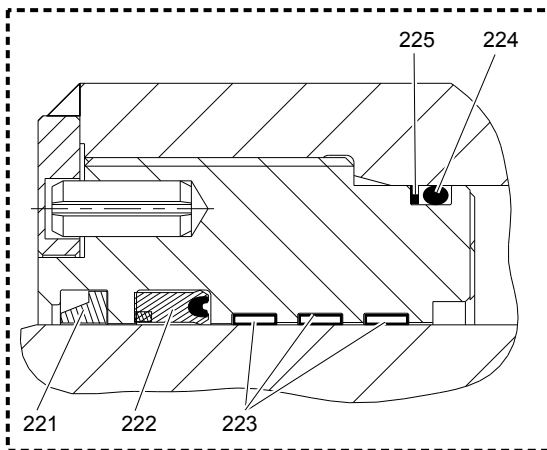
No.	Description	Remark	Quantity	Part number
1	Housing		1	3363 0925 03
6	Allen screw		16	3360 0265 13
7	Snapping		2	3360 0285 25
8	Allen screw		24	3360 1061 00
9	Grease nipple		2	3360 2098 34
10	O-ring		6	3360 3143 70
11	Hexagon nut		8	3360 4305 81
12	Hexagon head screw		24	3360 4333 81
13	Hexagon head screw		2	3360 4343 50
14	Pair of lock washers		24	3361 8505 96
15	Pair of lock washers		28	3361 8507 48
16	Flange half		8	3361 8532 08
17	Allen screw		4	3362 3280 57
18	Allen screw		3	3362 3281 13
19	Allen screw		8	3363 0315 93
20	Lock ring		6	3363 0351 07
21	Cutter blade		2	3363 0864 79
22	Rotary shaft seal		1	3363 0700 83
23	Hexagon nut		3	3363 0876 19
24	Hydraulic hose		2	3363 0919 78
25	Spring dowel sleeve		4	3363 0910 85
26	Rapid movement valve		1	3363 1036 91
27	Allen screw		4	3363 0910 92
28	Hexagon head screw		1	3363 1036 87
29	Tooth plate	demolition recycling see chapter <i>Optional equipment</i>	1	3363 1036 44
30	Fastener		2	3363 0925 71
31	Bolt		1	3363 0927 33
32	Bolt		1	3363 0927 35
33	Bolt		1	3363 0927 37
34	Cap		1	3363 0927 39
35	Wear ring		2	3363 0927 41
36	Plate		1	3363 0927 45
37	Plate		1	3363 0927 47
38	Plate		2	3363 0927 49
39	Connection		2	3363 0937 97
40	Flange connection		2	3362 2635 93
41	Plate		2	3363 1036 32
48	Disk		2	3363 1062 68
90	Spacer plate	1.0 mm thick, as required	2	3363 0876 07
91	Spacer plate	0.2 mm thick, as required	2	3363 0881 49
100	Pulverizer jaw complete	see separate chapter	1	3363 1036 45
200	Hydraulic cylinder complete	see separate chapter	1	3363 1036 40
260	Cover complete	see separate chapter	1	3363 1036 42
600	Upper part complete	see separate chapter	1	3363 0920 01

Pulverizer jaw

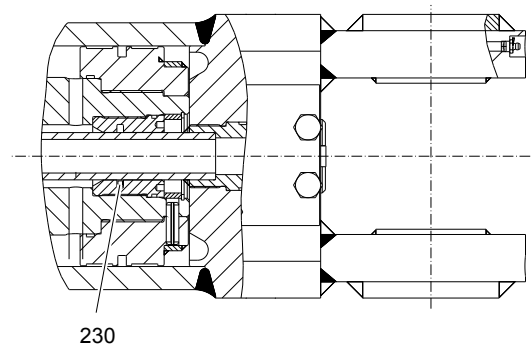
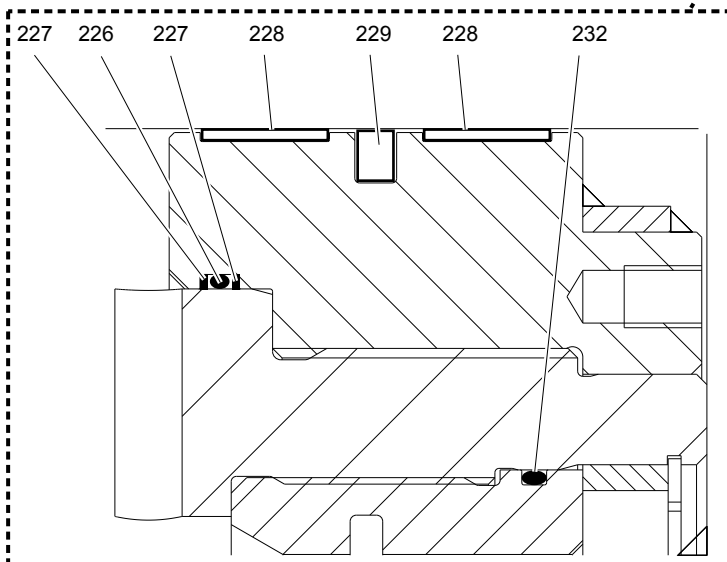
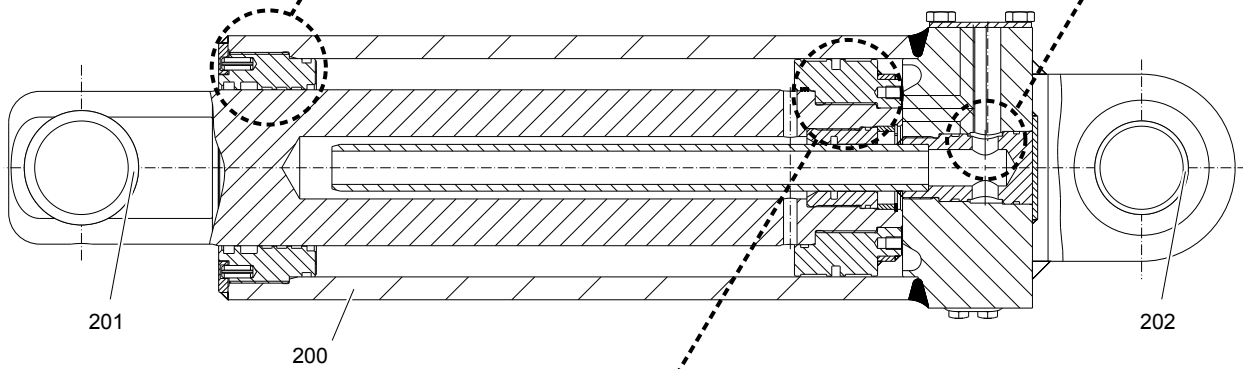


No.	Description	Remark	Quantity	Part number
100	Pulverizer jaw complete	with no. 102 to 111	1	3363 1036 45
102	Tip of tooth	with no. 104 and 107	1	3363 0989 63
103	Allen screw		4	3362 3280 57
104	Hexagon nut		1	3363 0989 34
105	Lock ring		4	3363 0351 07
106	Cutter blade		2	3363 0864 79
107	Hexagon head screw		1	3363 0664 13
108	Bearing bush		1	3363 0927 77
109	Bearing bush		1	3363 0927 79
110	Tooth plate		1	3363 1036 76
111	Pair of lock washers		4	3361 8507 48
190	Shim	0.2 mm thick, as required	1	3363 0910 56
191	Shim	1.0 mm thick, as required	1	3363 0921 41
192	Spacer plate	1.0 mm thick, as required	2	3363 0876 07
193	Spacer plate	0.2 mm thick, as required	2	3363 0881 49

Hydraulic cylinder

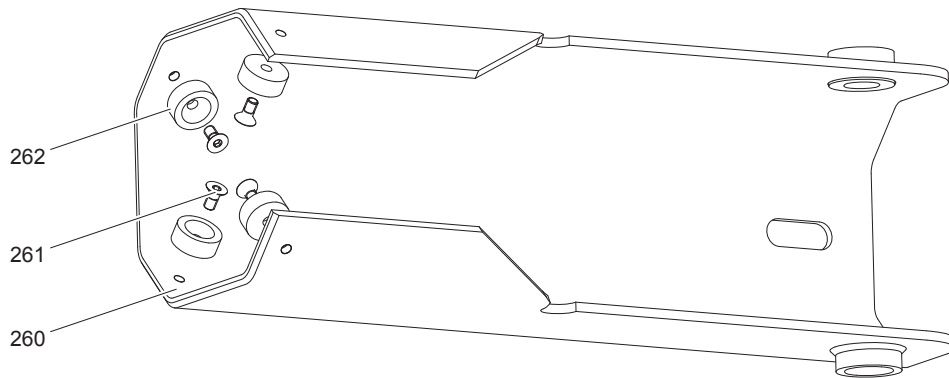


220														
221	222	223	224	225	226	227	228	229	230	232	235	236	237	238



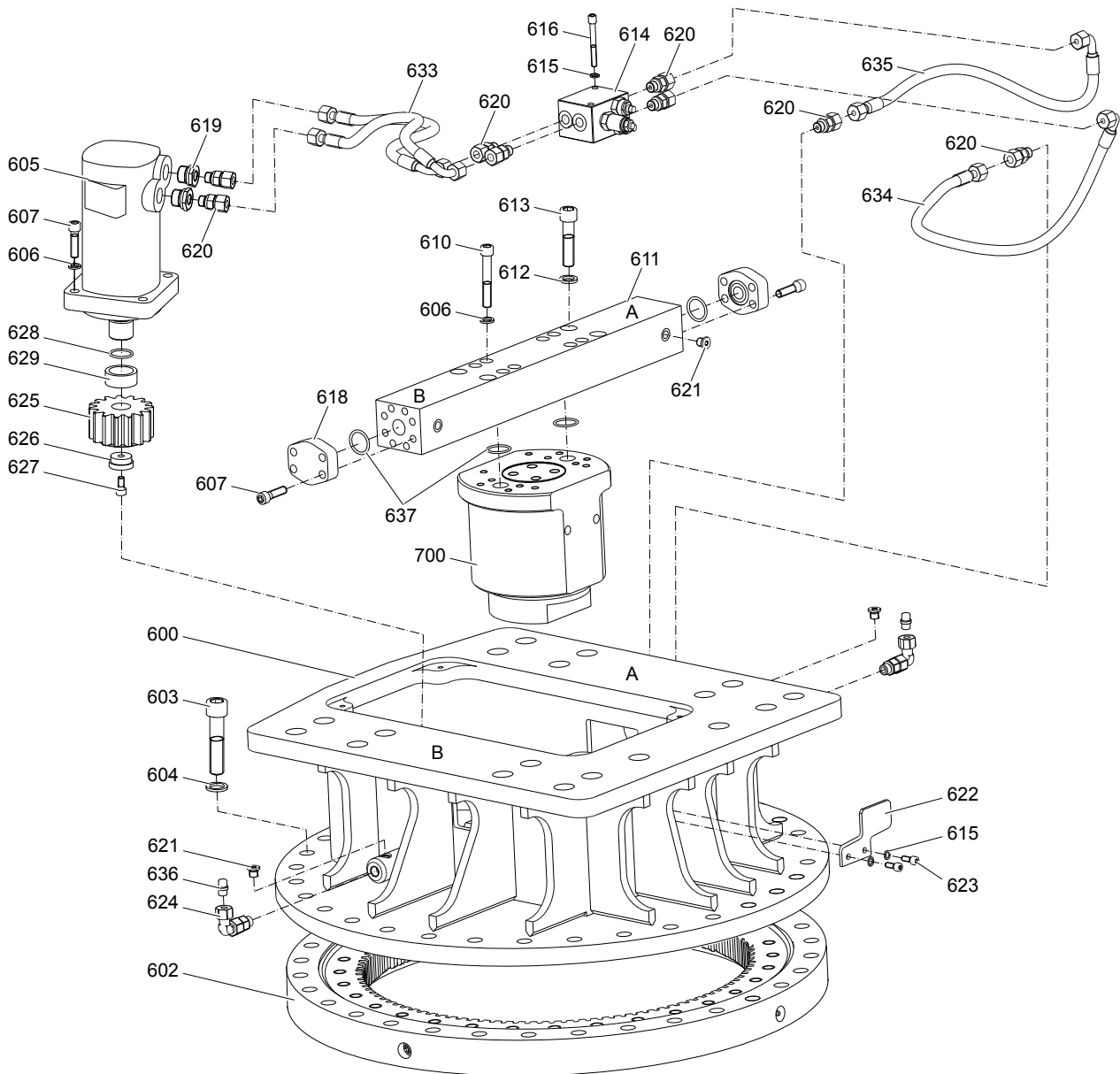
No.	Description	Remark	Quantity	Part number
200	Hydraulic cylinder complete	with parts No. 201 to 238	1	3363 1036 40
201	Clamping bush		2	3363 0919 40
202	Clamping bush		2	3363 0919 41
220(221-238)	Seal kit		1	3363 0919 50
221	Wiper		1	-
222	Seal		1	-
223	Seal		3	-
224	O-ring		1	-
225	Back-up ring		1	-
226	O-ring		1	-
227	Back-up ring		2	-
228	Guide ring		2	-
229	Guide ring		1	-
230	Seal		1	-
232	O-ring		1	-
235	O-ring		1	-
236	Back-up ring		2	-
237	O-ring		1	-
238	Back-up ring		1	-

Protective sheath



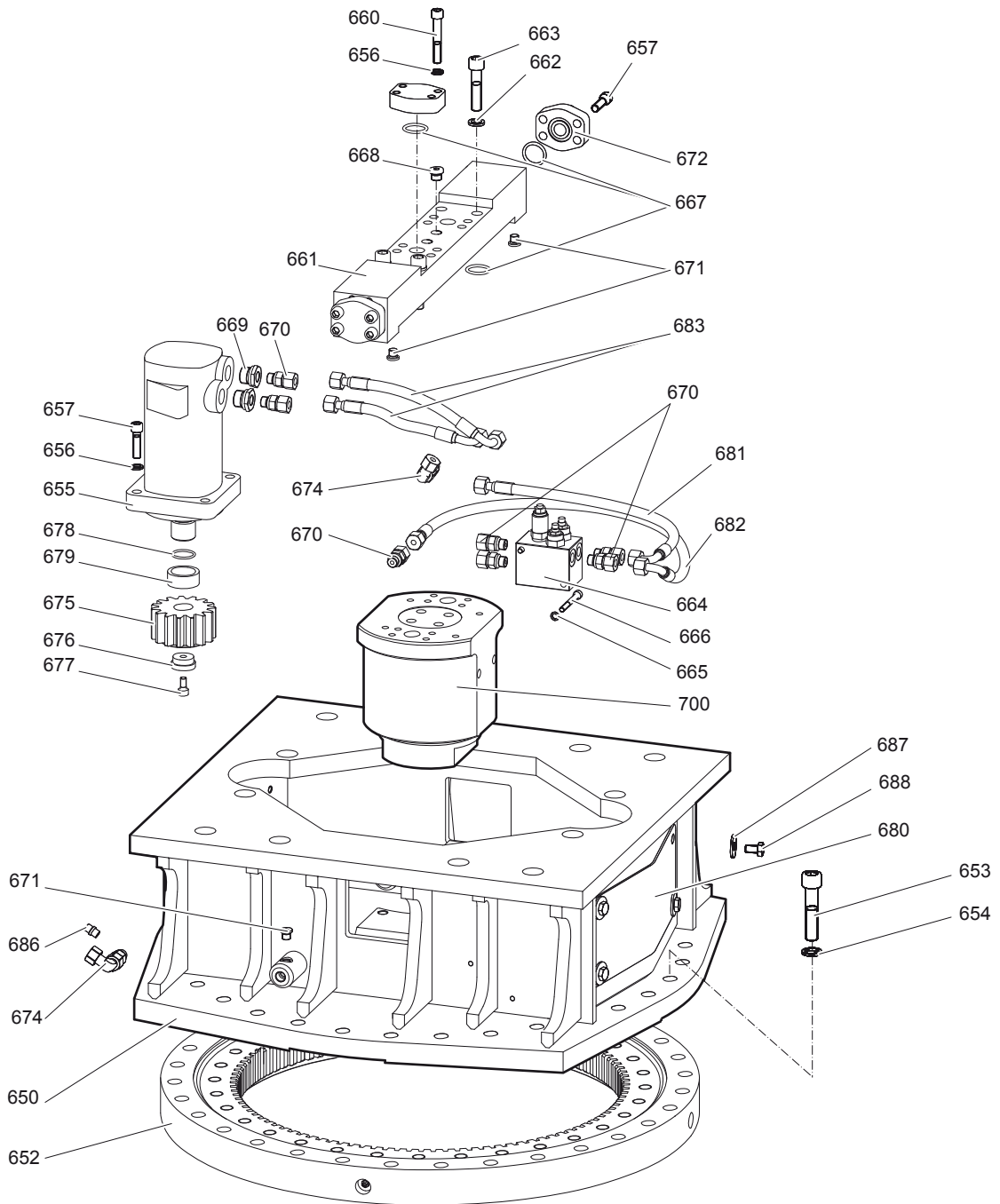
No.	Description	Remark	Quantity	Part number
260	Protective sheath complete	with parts No. 261 to 262	1	3363 1036 42
261	Screw		4	3363 0910 47
262	Wear piece		4	3363 0974 31

Upper part complete, up to serial number 147



No.	Description	Remark	Quantity	Part number
600	Upper part complete	with parts No. 602 to 637 and 700	1	3363 0920 01
602	Four point bearing		1	3363 0700 82
603	Allen screw		32	3360 1060 99
604	Pair of lock washers		32	3361 8507 48
605	Hydraulic motor		1	3363 0858 83
606	Pair of lock washers		12	3361 8505 96
607	Allen screw		20	3360 0265 13
610	Allen screw		8	3360 1184 43
611	Connection plate		1	3363 0920 21
612	Pair of lock washers		4	3361 3337 03
613	Allen screw		4	3360 0266 48
614	Valve block		1	3362 2667 12
615	Pair of lock washers		4	3361 8507 43
616	Allen screw		2	3360 1037 38
618	Blind flange		4	3363 0340 40
619	Fitting		2	3362 2674 35
620	Fitting		8	3360 4783 33
621	Threaded plug		4	3360 4784 39
622	Cover		1	3363 0920 59
623	Allen screw		2	3363 0883 33
624	Fitting		2	3363 0919 12
625	Spur pinion		1	3362 2608 07
626	Ring		1	3363 0883 27
627	Allen screw		1	3361 0319 81
628	O-ring		1	3360 3133 04
629	Ring		1	3362 2658 69
633	Hydraulic hose		2	3363 0858 85
634	Hydraulic hose		1	3363 0839 71
635	Hydraulic hose		1	3362 2637 04
636	Plug		2	3360 3145 93
637	O-ring		6	3360 3143 70
700	Rotary transmission	see separate chapter	1	3363 0336 85

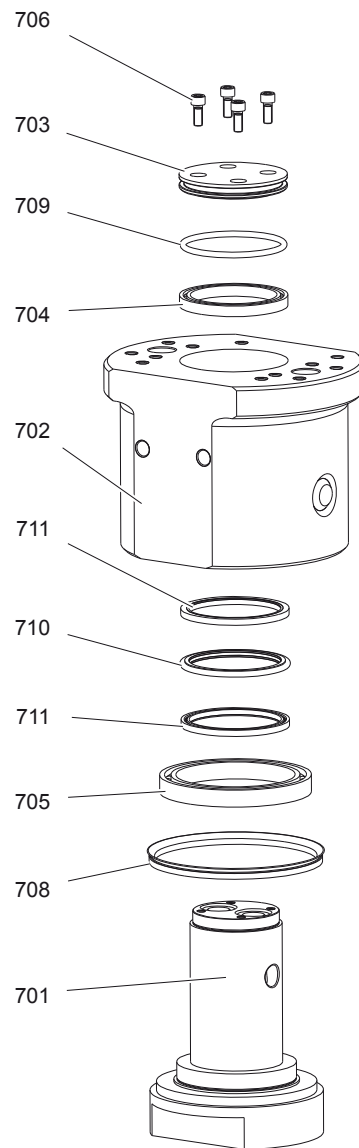
Upper part complete, from serial number 148



No.	Description	Remark	Quantity	Part number
650	Upper part complete	with parts No. 652 to 700	1	3363 1041 51
652	Four point bearing		1	3363 0700 82
653	Allen screw		28	3360 1060 99
654	Pair of lock washers		28	3361 8507 48
655	Hydraulic motor		1	3363 0858 83
656	Pair of lock washers		12	3361 8505 96
657	Allen screw		12	3360 0265 13
660	Allen screw		8	3360 1184 43
661	Connection plate		1	3363 0920 21
662	Pair of lock washers		4	3361 3337 03
663	Allen screw		4	3360 0266 46
664	Valve block		1	3362 2667 12
665	Pair of lock washers		2	3361 8507 43
666	Allen screw		2	3360 1037 38
667	O-ring		4	3360 3143 70
668	Threaded plug		2	3360 4784 40
669	Fitting		2	3362 2674 35
670	Fitting		7	3360 4783 33
671	Threaded plug		4	3360 4784 39
672	Blind flange		4	3363 0340 40
674	Fitting		3	3363 0919 12
675	Spur pinion		1	3362 2608 07
676	Ring		1	3363 0883 27
677	Allen screw		1	3361 0319 81
678	O-ring		1	3360 3133 04
679	Ring		1	3362 2658 69
680	Cover sheet		2	3363 1041 71
681	Hydraulic hose		1	3363 0839 70
682	Hydraulic hose		1	3363 0858 84
683	Hydraulic hose		2	3363 0858 85
686	Plug		2	3360 3145 93
687	Washer		8	3362 3280 82
688	Hexagon head screw		8	3360 4333 81
700	Rotary transmission	see separate chapter	1	3363 0336 85

Rotary transmission

700						
701	702	703	704	705	706	707



707			
708	709	710	711

No.	Description	Remark	Quantity	Part number
700(701-706,707)	Rotary transmission		1	3363 0336 85
701	Rotor		1	3363 0343 16
702	Stator		1	3363 0343 17
703	Cap		1	3363 0343 18
704	Ball bearing		1	3363 0343 19
705	Ball bearing		1	3363 0343 20
706	Allen screw		4	3363 0343 25
707(708-711)	Seal kit		1	3363 0830 66
708	V-ring		1	-
709	O-ring		1	-
710	Slide ring		1	-
711	Seal		2	-

Tightening torques

No.	Description	Tightening torque	Remark
6	Allen screw	77 + 5 Nm	
8	Allen screw	550 + 5 Nm	
12	Hexagon head screw	77 + 5 Nm	
13	Hexagon head screw	385 + 5 Nm	
17	Allen screw	550 + 5 Nm	
18	Allen screw	190 + 5 Nm	
27	Allen screw	250 + 5 Nm	
28	Hexagon head screw	385 + 5 Nm	
103	Allen screw	530 + 30 Nm	
104	Hexagonal nut	920 + 30 Nm	
603	Allen screw	530 + 30 Nm	
607	Allen screw	75 + 10 Nm	
610	Allen screw	100 + 20 Nm	
613	Allen screw	180 + 20 Nm	
616	Allen screw	19 + 5 Nm	
620	Fitting	70 + 10 Nm	
623	Allen screw	19 + 5 Nm	
624	Fitting	70 + 10 Nm	
627	Allen screw	70 + 10 Nm	fix with Loctite 243
653	Allen screw	530 + 30 Nm	
657	Allen screw	75 + 10 Nm	
660	Allen screw	75 + 10 Nm	
663	Allen screw	180 + 20 Nm	
666	Allen screw	19 + 5 Nm	
669	Fitting	150 + 20 Nm	
670	Fitting	70 + 10 Nm	
674	Fitting	70 + 10 Nm	
677	Allen screw	70 + 5 Nm	fix with Loctite 243
688	Hexagon head screw	75 + 10 Nm	

Accessories

Hydraulic hoses

Open - Close

Description	Remark	Quantity	Part number
Hydraulic Hose	I.D. 25 (1"), flange SAE 90° - 6000 PSI / M 42x2, conical seal 24°, length 2300 mm (91 in.)	2	3363 0946 45
Hydraulic Hose	I.D. 25 (1"), flange SAE 90° - 6000 PSI / M 42x2, conical seal 24°, length 2800 mm (110 in.)	2	3363 0946 46

Accessories to hydraulic hoses "Open - Close"

Description	Remark	Quantity	Part number
Allen screw		8	3360 0265 13
O-ring		2	3360 3143 70

Rotation

Description	Remark	Quantity	Part number
Hydraulic Hose	I.D. 8 (3/8"), both ends M 20x1.5, conical seal 24°, length 2800 mm (110 in.)	2	3363 0317 67
Hydraulic Hose	I.D. 8 (3/8"), both ends M 20x1.5, conical seal 24°, length 3500 mm (138 in.)	2	3363 0343 99

Optional equipment

Description	Remark	Quantity	Part number
Chisel paste cartridge	12 x 400 g (0.88 lbs)	1	3363 0949 14
Grease gun		1	0909 1071 00
Tooth plate	recycling	1	3363 1036 72
Adapter plate matching the carrier Consult the Atlas Copco Customer Center/Dealer in your area.		1	-
Base plate with threaded inserts		1	3363 0997 95
Bolt kit		1	3363 0873 06
Base plate with through borings		1	3363 1006 99
Bolt kit		1	3363 0945 79
Allen key	22 mm for bolt kit	1	3360 2094 45

Kits

Label kit

No.	Description	Remark	Quantity	Part number
	Label kit		1	3363 0980 99

Cutter blades kit

No.	Description	Remark	Quantity	Part number
	Cutter blades kit		1	3363 0982 62
15	Pair of lock washers		4	3361 8507 48
17	Allen screw		4	3362 3280 57
20	Lock ring		4	3363 0351 07
22	Cutter blade		2	3363 0864 79
90	Spacer plate	1.0 mm thick, as required	2	3363 0876 07
91	Spacer plate	0.2 mm thick, as required	2	3363 0881 49
103	Allen screw		4	3362 3280 57
105	Lock ring		4	3363 0351 07
106	Cutter blade		2	3363 0864 79
111	Pair of lock washers		4	3361 8507 48
192	Spacer plate	1.0 mm thick, as required	2	3363 0876 07
193	Spacer plate	0.2 mm thick, as required	2	3363 0881 49

Tooth plate kit (Housing) Demolition

No.	Description	Remark	Quantity	Part number
	Tooth plate kit (Housing) Demolition		1	3363 0982 01
13	Hexagon head screw		2	3360 4343 50
23	Hexagon nut		2	3363 0876 19
29	Tooth plate		1	3363 1036 44
30	Fastener		2	3363 0925 71

Tooth plate kit (Housing) Recycling

No.	Description	Remark	Quantity	Part number
	Tooth plate kit (Housing) Recycling		1	3363 0989 66
13	Hexagon head screw		2	3360 4343 50
23	Hexagon nut		2	3363 0876 19
29	Tooth plate		1	3363 1036 72
30	Fastener		2	3363 0925 71

Tooth plate kit (Pulverizer jaw)

No.	Description	Remark	Quantity	Part number
	Tooth plate kit (Pulverizer jaw)		1	3363 0982 02
102	Tip of tooth	with no. 104 and 107	1	3363 0989 63
104	Hexagon nut		1	3363 0989 34
107	Hexagon head screw		1	3363 0664 13
110	Tooth plate		1	3363 1036 76

Seal kit (Hydraulic cylinder)

No.	Description	Remark	Quantity	Part number
	Seal kit (Hydraulic cylinder)		1	3363 0919 50
221	Wiper		1	-
222	Seal		1	-
223	Seal		3	-
224	O-ring		1	-
225	Back-up ring		1	-
226	O-ring		1	-
227	Back-up ring		2	-
228	Guide ring		2	-
229	Guide ring		1	-
230	Seal		1	-
232	O-ring		1	-
235	O-ring		1	-
236	Back-up ring		2	-
237	O-ring		1	-
238	Back-up ring		1	-

Seal kit (Hydraulic motor housing)

No.	Description	Remark	Quantity	Part number
	Seal kit (Hydraulic motor housing)		1	3363 0839 45

Seal kit (Hydraulic motor)

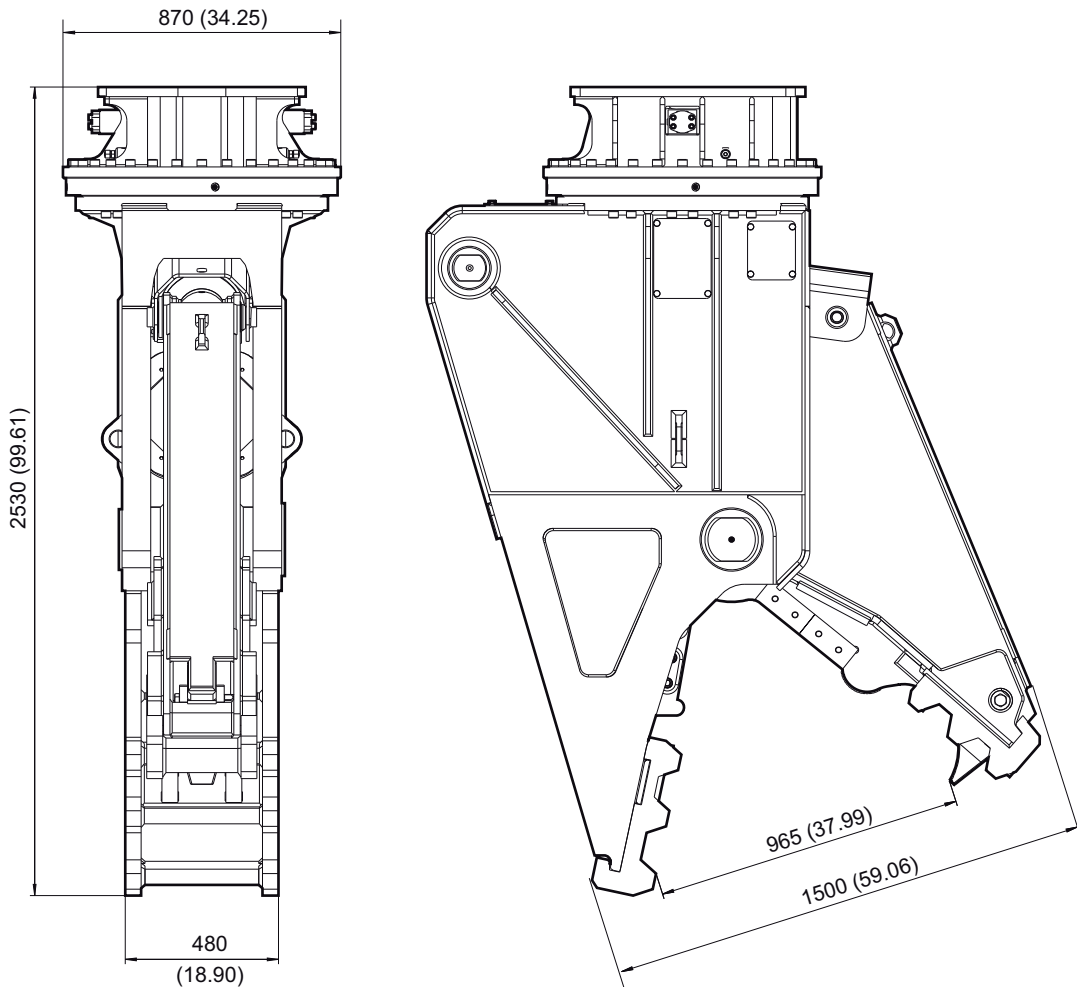
No.	Description	Remark	Quantity	Part number
	Seal kit (Hydraulic motor)		1	3363 0830 74

Seal kit for rapid movement valve

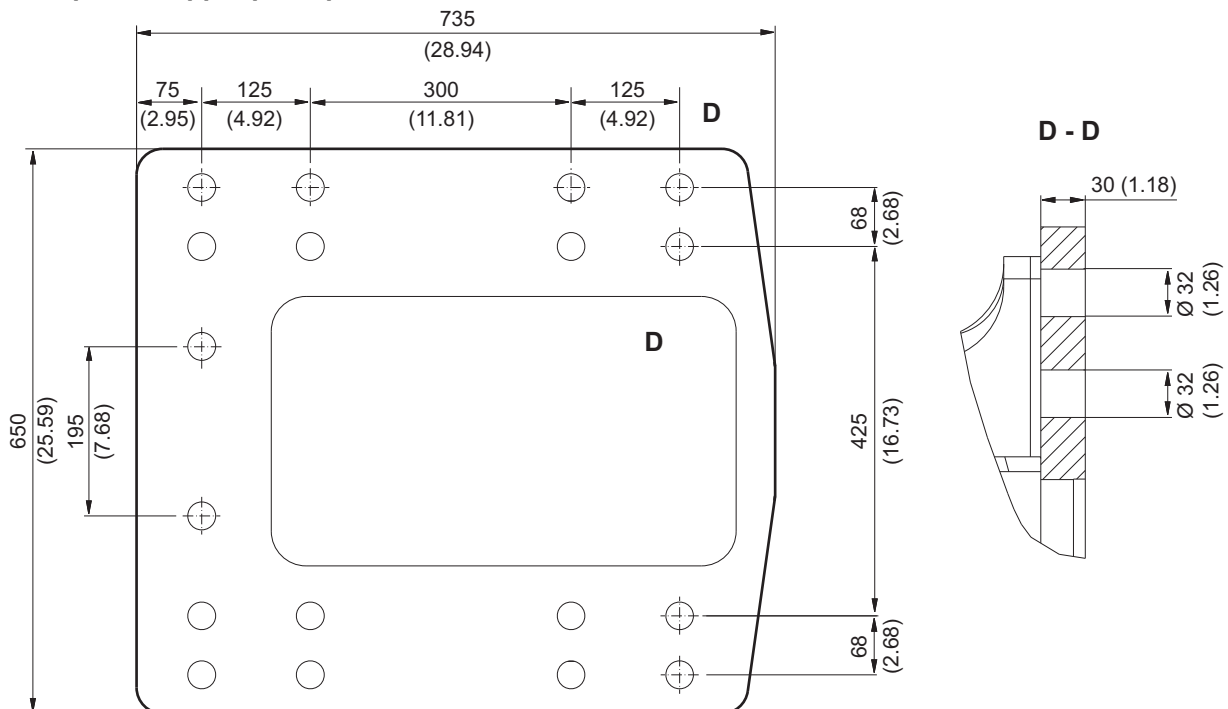
No.	Description	Remark	Quantity	Part number
	Seal kit		1	3363 1131 68

Dimensions

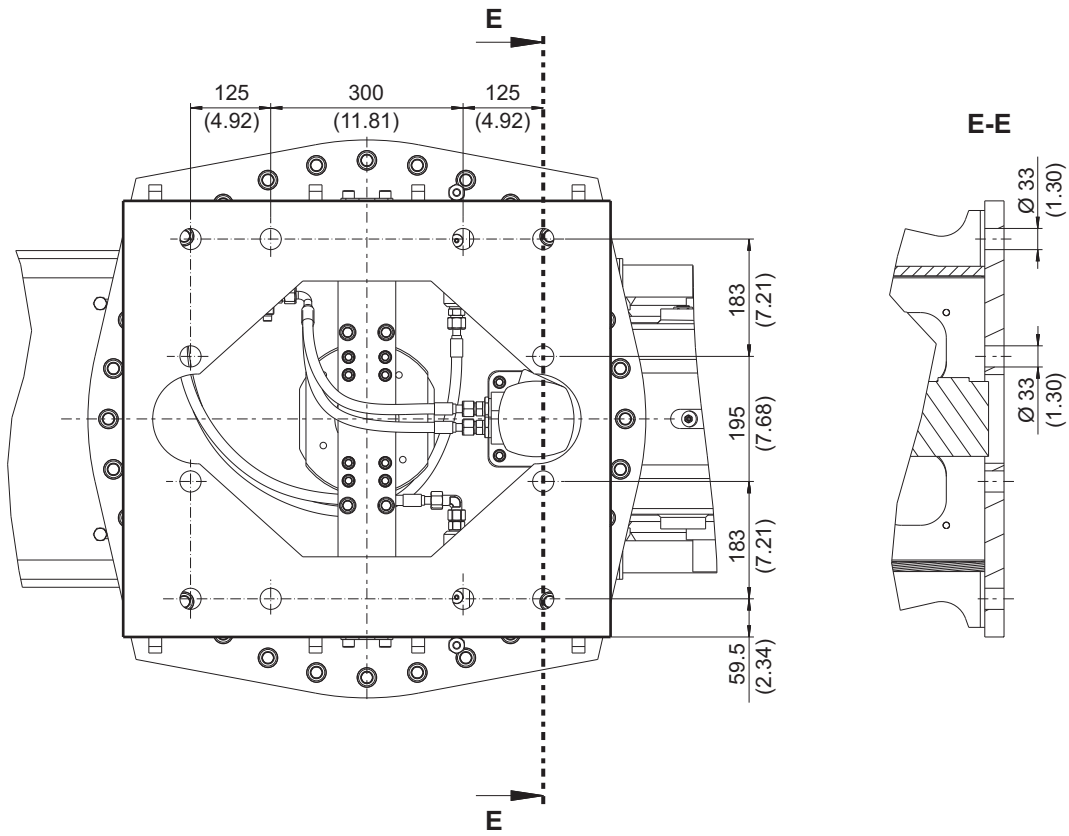
mm (inch)



Hole pattern upper part up to serial number 147



Hole pattern upper part from serial number 148





Any unauthorized use or copying of the contents or any part thereof is prohibited.
This applies in particular to trademarks, model denominations, part numbers, and
drawings.

© 2013 Atlas Copco Construction Tools GmbH | No. 3390 7195 01 | 2013-04-17