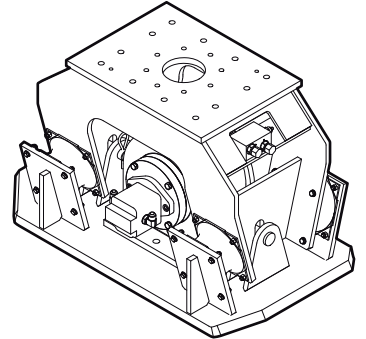


Spare parts list Hydraulic compactor

	Valid from serial number
HC 1055	BGB940301



Contents

- General information 5
- Spare parts list 6
 - Hydraulic compactor 6
- Tightening torques 8
- Accessories 9
 - Hydraulic hoses 9
 - Optional equipment 9
- Kits 10
 - Label kit 10
 - Seal kit (Hydraulic motor) 10
 - Rubber isolator kit 10
- Dimensions 11

General information

This spare parts list applies to the following:

Part number	Description
1826 1017 51	Hydraulic compactor HC 1055

Use only authorized parts. Any damage or malfunction caused by the use of unauthorized parts is not covered by Warranty or Product Liability. Any unauthorized use or copying of the contents or any part thereof is prohibited. This applies in particular to trademarks, model denominations, part numbers, and drawings.

Instructions for use

This spare parts list contains no safety regulations and is merely intended to assist in the ordering of spare parts.

For information about operating, servicing, or repairing, the relevant Safety and operating instructions must be consulted at all costs.

Please observe the safety instructions listed in the relevant Safety and operating instructions!

Instructions of ordering

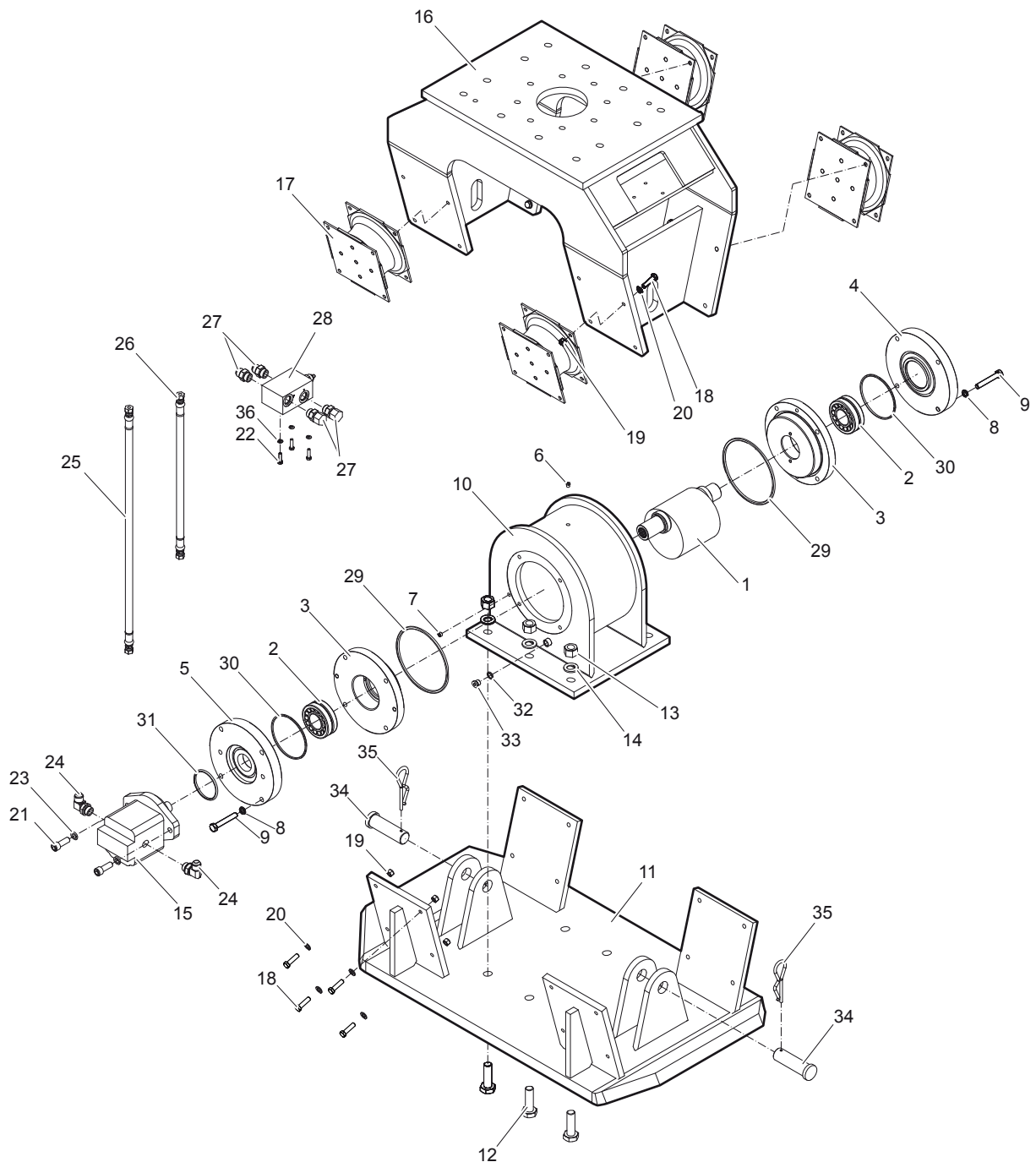
It is essential to indicate the serial number of the hydraulic attachment when ordering spare parts!

Determine the quantity of individual parts which are required and need to be ordered. The order must indicate the following details:

- full identification code of the hydraulic attachment
- required quantity
- part number
- description

Spare parts list

Hydraulic compactor



No.	Description	Remark	Quantity	Part number
1	Rotor		1	3376 6930 04
2	Bearing		2	3376 1007 65
3	Bearing retainer		2	3376 6990 13
4	Bearing cover		1	3376 6990 12
5	Bearing cover		1	3376 6990 11
6	Air breather valve		1	3376 1007 79
7	Threaded plug		1	3371 8131 41
8	Washer		8	3376 1007 71
9	Hexagon head bolt		8	3376 1007 24
10	Rotor housing		1	3376 6991 09
11	Tamper plate complete	with no. 12-14	1	3376 6990 35
12	Hexagon head bolt		6	3376 1007 25
13	Nut		6	3376 1000 66
14	Washer		6	3376 0017 04
15	Hydraulic motor		1	3376 1007 73
16	Outer housing		1	3376 6991 06
17	Rubber isolator		4	3376 1007 61
18	Hexagon head bolt		32	3376 1007 62
19	Nut		32	3376 1007 63
20	Washer		32	3376 1007 64
21	Screw		2	3376 1001 36
22	Hexagon head bolt		4	3371 8167 00
23	Washer		2	3376 1000 88
24	Elbow joint 90°		2	3376 1007 67
25	Hydraulic hose		1	3376 1014 88
26	Hydraulic hose		1	3376 1014 89
27	Fitting, male thread 1-5/16 UNF 37° 1" JIC		4	3376 1007 66
28	Valve block, female thread 1-5/16 UNF		1	3376 6990 07
29	O-ring		2	3376 1007 80
30	O-ring		2	3376 1007 83
31	O-ring		1	3376 1000 52
32	Seal ring		1	3377 0163 75
33	Plug		1	3371 8037 07
34	Axle		2	3376 6981 41
35	Locking clip		2	3376 0010 74
36	Washer		4	3376 1006 24

Tightening torques

No.	Description	Tightening torque	Remark
6	Open-ended wrench	pretighten finger tight, then 1 - 2 turns tighten with the open-ended wrench	
7	Allen key	pretighten finger tight, then 1 - 2 turns tighten with the Allen key	
9	Open-ended wrench	148 Nm	
12	Open-ended wrench	798 Nm	
13	Open-ended wrench	798 Nm	
18	Open-ended wrench	329 Nm	
19	Open-ended wrench	329 Nm	
21	Open-ended wrench	230 Nm	
22	Open-ended wrench	73 Nm	
33	Allen key	30.5 Nm	

Accessories

Hydraulic hoses

Description	Remark	Quantity	Part number
Hydraulic hose	I.D. 25 (1"), both ends M 42 x 2 conical seal 24°, length 2300 mm (91 in.)	2	3360 9923 40
Hydraulic hose	I.D. 25 (1"), both ends M 42 x 2 conical seal 24°, length 2800 mm (110 in.)	2	3361 8538 59

Note

You need a special fitting set when using these hose connections. The fitting set must be ordered separately. Accessories to the hydraulic hoses

Description	Remark	Quantity	Part number
Fitting set		1	3363 0982 88

Note

Remove the genuine fittings carrier side from the valve block before mounting the fitting set.

Optional equipment

Description	Remark	Quantity	Part number
Cobra & Compactor Impact-Oil	1 x 1 l (0.22 gal) (0.26 US gal)	1	9234 0012 03
Cobra & Compactor Impact-Oil	20 x 1 l (0.22 gal) (0.26 US gal)	1	9234 0014 05
Adapter plate matching the carrier	Consult the Atlas Copco Customer Center/Dealer in your area.	1	-
Base plate with threaded inserts		1	3363 0997 99
Bolt kit		1	3363 0873 03
Base plate with through borings		1	3363 1006 97
Bolt kit		1	3363 0945 75
Allen key	22 mm for bolt kit	1	3360 2094 45
Backfill blade kit		1	3376 6991 08
Rotation device		1	1826 1016 45
Allen screw		8	-
Pair of locking rings		16	-
Rotor		1	-
Hexagonal nut		8	-
Connection kit for rotation device		1	3376 6990 37
Hydraulic hose		1	-
Hydraulic hose		1	-
Fitting		2	-
Fitting		4	-
Fitting		2	-

Kits

Label kit

No.	Description	Remark	Quantity	Part number
	Label kit		1	3376 6991 31

Seal kit (Hydraulic motor)

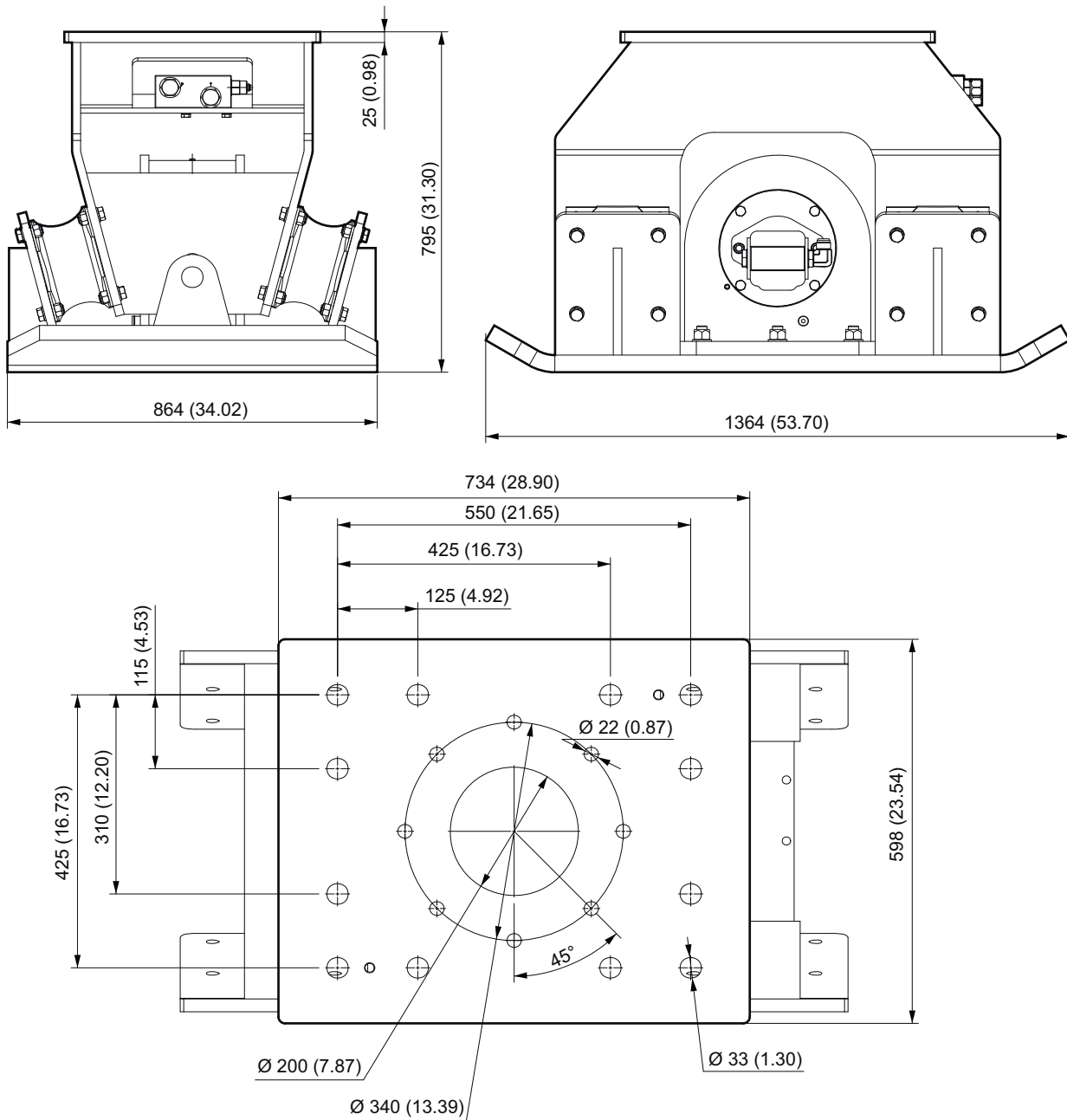
No.	Description	Remark	Quantity	Part number
	Seal kit (Hydraulic motor)		1	3376 6920 36

Rubber isolator kit

No.	Description	Remark	Quantity	Part number
	Rubber isolator kit		1	3376 6930 32
17	Rubber isolator		4	3376 1007 61
18	Hexagon head bolt		32	3376 1001 62
19	Nut		32	3371 8167 63
20	Washer		32	3371 8167 64

Dimensions

mm (inch)





Any unauthorized use or copying of the contents or any part thereof is prohibited.
This applies in particular to trademarks, model denominations, part numbers, and drawings.

© 2012 Atlas Copco Construction Tools GmbH | No. 3390 7566 01 | 2012-11-19

www.atlascopco.com