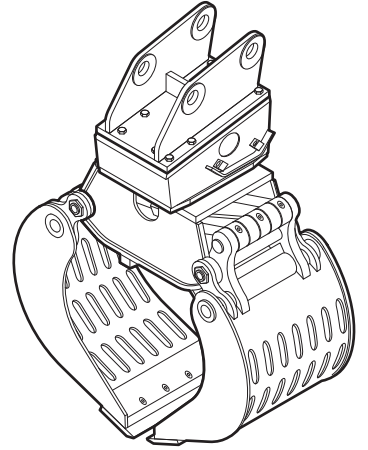


## Spare parts list Multi grapple

|         | Valid from serial number |
|---------|--------------------------|
| MG 2700 | 136                      |





# Contents

|                                      |    |
|--------------------------------------|----|
| General information .....            | 5  |
| Spare parts list .....               | 6  |
| Multi grapple .....                  | 6  |
| Hydraulic cylinder, left-hand .....  | 8  |
| Hydraulic cylinder, right-hand ..... | 10 |
| Rotary transmission .....            | 12 |
| Tightening torques .....             | 14 |
| Accessories .....                    | 15 |
| Hydraulic hoses .....                | 15 |
| Optional equipment .....             | 15 |
| Kits .....                           | 16 |
| Label kit .....                      | 16 |
| Blade kit .....                      | 16 |
| Seal kit (Hydraulic motor) .....     | 16 |
| Seal kit (Hydraulic cylinder) .....  | 16 |
| Seal kit (Rotary transmission) ..... | 16 |
| Dimensions .....                     | 17 |



## General information

This spare parts list applies to the following:

| Part number  | Description           |
|--------------|-----------------------|
| 3363 0982 25 | Multi grapple MG 2700 |

Use only authorized parts. Any damage or malfunction caused by the use of unauthorized parts is not covered by Warranty or Product Liability. Any unauthorized use or copying of the contents or any part thereof is prohibited. This applies in particular to trademarks, model denominations, part numbers, and drawings.

### Instructions for use

This spare parts list contains no safety regulations and is merely intended to assist in the ordering of spare parts.

For information about operating, servicing, or repairing, the relevant Safety and operating instructions must be consulted at all costs.

Please observe the safety instructions listed in the relevant Safety and operating instructions!

### Instructions of ordering

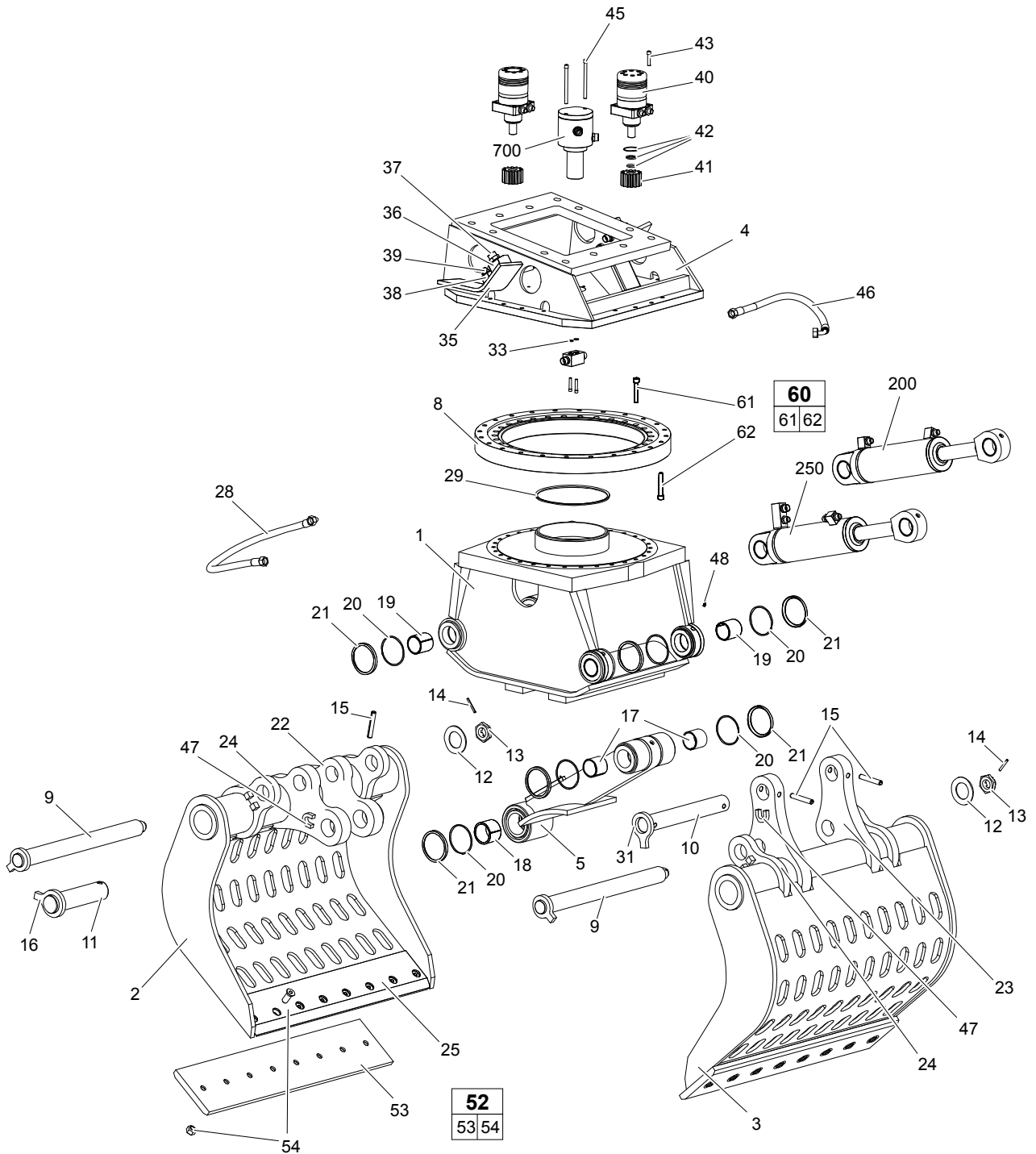
It is essential to indicate the serial number of the hydraulic attachment when ordering spare parts!

Determine the quantity of individual parts which are required and need to be ordered. The order must indicate the following details:

- full identification code of the hydraulic attachment
- required quantity
- part number
- description

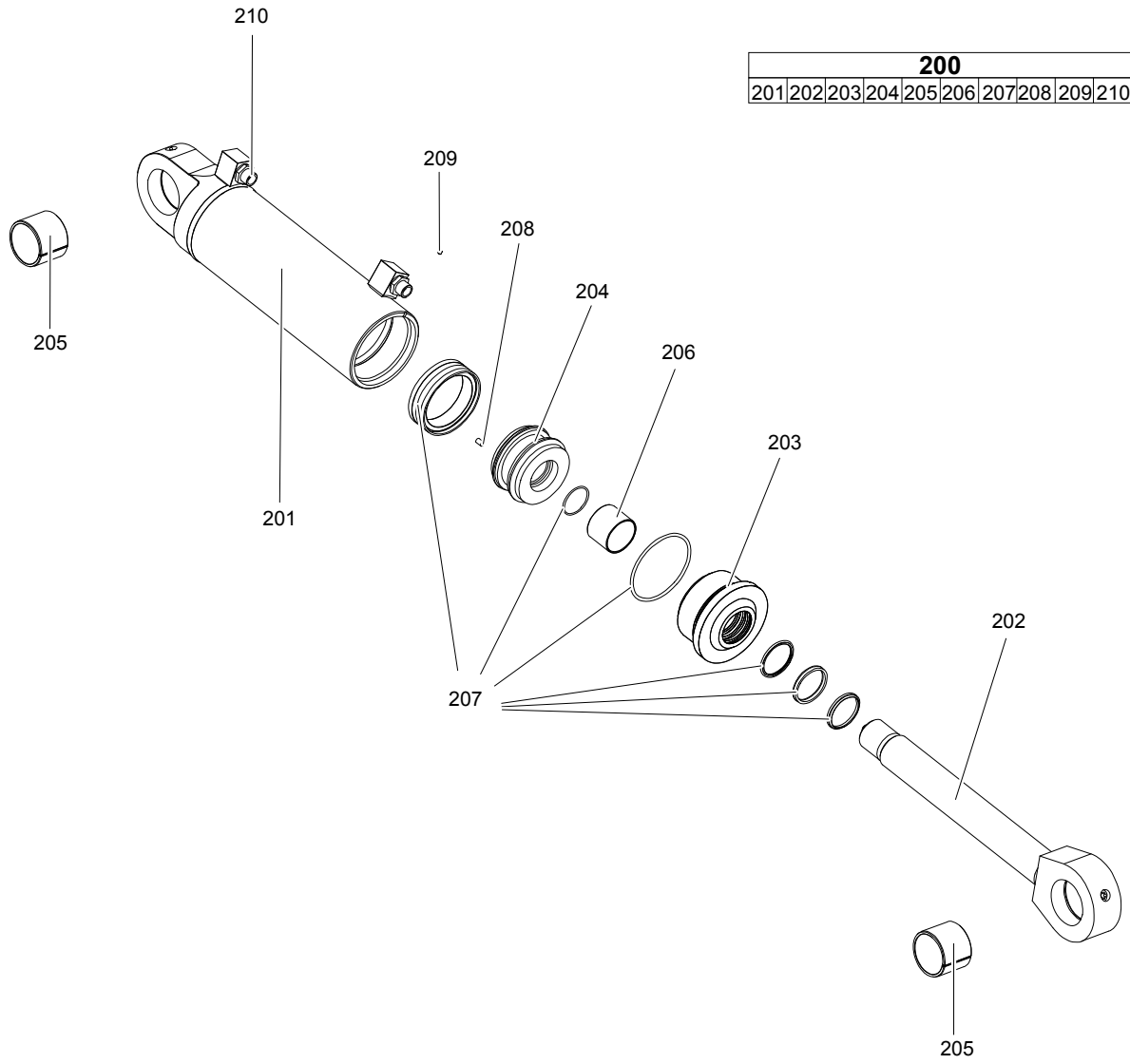
# Spare parts list

## Multi grapple



| No.              | Description            | Remark                     | Quantity | Part number  |
|------------------|------------------------|----------------------------|----------|--------------|
| 1                | Housing                |                            | 1        | 3363 1136 95 |
| 2                | Grapple leaf, left     |                            | 1        | 3363 1136 96 |
| 3                | Grapple leaf, right    |                            | 1        | 3363 1136 97 |
| 4                | Upper part             |                            | 1        | 3363 1136 98 |
| 5                | Linkage                |                            | 1        | 3363 1136 99 |
| 8                | Live ring              |                            | 1        | 3363 1137 02 |
| 9                | Bolt                   |                            | 2        | 3363 1137 03 |
| 10               | Bolt                   |                            | 1        | 3363 1137 04 |
| 11               | Bolt                   |                            | 1        | 3363 1137 05 |
| 12               | Spring ring            |                            | 2        | 3363 1137 06 |
| 13               | Castle nut             |                            | 2        | 3363 1137 07 |
| 14               | Spring dowel sleeve    |                            | 2        | 3363 1137 08 |
| 15               | Spring dowel sleeve    |                            | 3        | 3363 0984 74 |
| 16               | Lock plate             |                            | 1        | 3363 1137 09 |
| 17               | Bearing bush           |                            | 2        | 3363 0984 68 |
| 18               | Bearing bush           |                            | 2        | 3363 1137 10 |
| 19               | Bearing bush           |                            | 4        | 3363 0984 64 |
| 20               | O-ring                 |                            | 12       | 3363 0984 62 |
| 21               | Metal seal             |                            | 12       | 3363 0984 63 |
| 22               | Web plate              |                            | 2        | 3363 1137 11 |
| 23               | Web plate              |                            | 2        | 3363 1137 12 |
| 24               | Web plate              |                            | 4        | 3363 1137 13 |
| 25               | Blade support          |                            | 2        | 3363 1137 14 |
| 28               | Hose kit               | Kit with 4 hoses           | 1        | 3363 1137 17 |
| 29               | V-ring                 |                            | 1        | 3363 0985 47 |
| 31               | Lock plate             |                            | 1        | 3363 1137 20 |
| 33               | Seal kit               |                            | 1        | 3363 1137 21 |
| 35               | Protective sheath      |                            | 2        | 3363 1137 23 |
| 36               | Connection block       |                            | 2        | 3363 1137 24 |
| 37               | Nipple                 |                            | 2        | 3363 1137 25 |
| 38               | Connection block       |                            | 2        | 3363 1137 26 |
| 39               | Nipple                 |                            | 2        | 3363 1137 27 |
| 40               | Hydraulic motor        |                            | 2        | 3363 1137 28 |
| 41               | Pineon                 |                            | 2        | 3363 1137 29 |
| 42               | Seal kit               | for hydraulic motor        | 1        | 3363 1137 30 |
| 43               | Allen screw kit        | Kit with 8 screws          | 1        | 3363 1137 31 |
| 45               | Allen screw kit        | Kit with 2 screws          | 1        | 3363 1137 33 |
| 46               | Hose kit               | Kit with 6 hoses           | 1        | 3363 1137 34 |
| 47               | Lock piece             |                            | 2        | 3363 1137 35 |
| 48               | Grease nipple kit      | Kit with 12 grease nipples | 1        | 3363 1137 36 |
| <b>52(53-54)</b> | <b>Blade kit</b>       |                            | 1        | 3363 1138 08 |
| 53               | Blade kit              | kit with 2 blades          | 1        | -            |
| 54               | Bolt kit               | Kit with 16 screws/nuts    | 1        | 3363 1137 16 |
| <b>60(61-62)</b> | <b>Allen screw kit</b> | Kit with 24/30 screws      | 1        | 3363 1137 19 |
| 61               | Allen screw            |                            | 30       | -            |
| 62               | Allen screw            |                            | 24       | -            |
| 200              | Hydraulic cylinder     | see separate chapter       | 1        | 3363 1137 01 |
| 250              | Hydraulic cylinder     | see separate chapter       | 1        | 3363 1137 00 |
| 700              | Rotary transmission    | see separate chapter       | 1        | 3363 1137 32 |

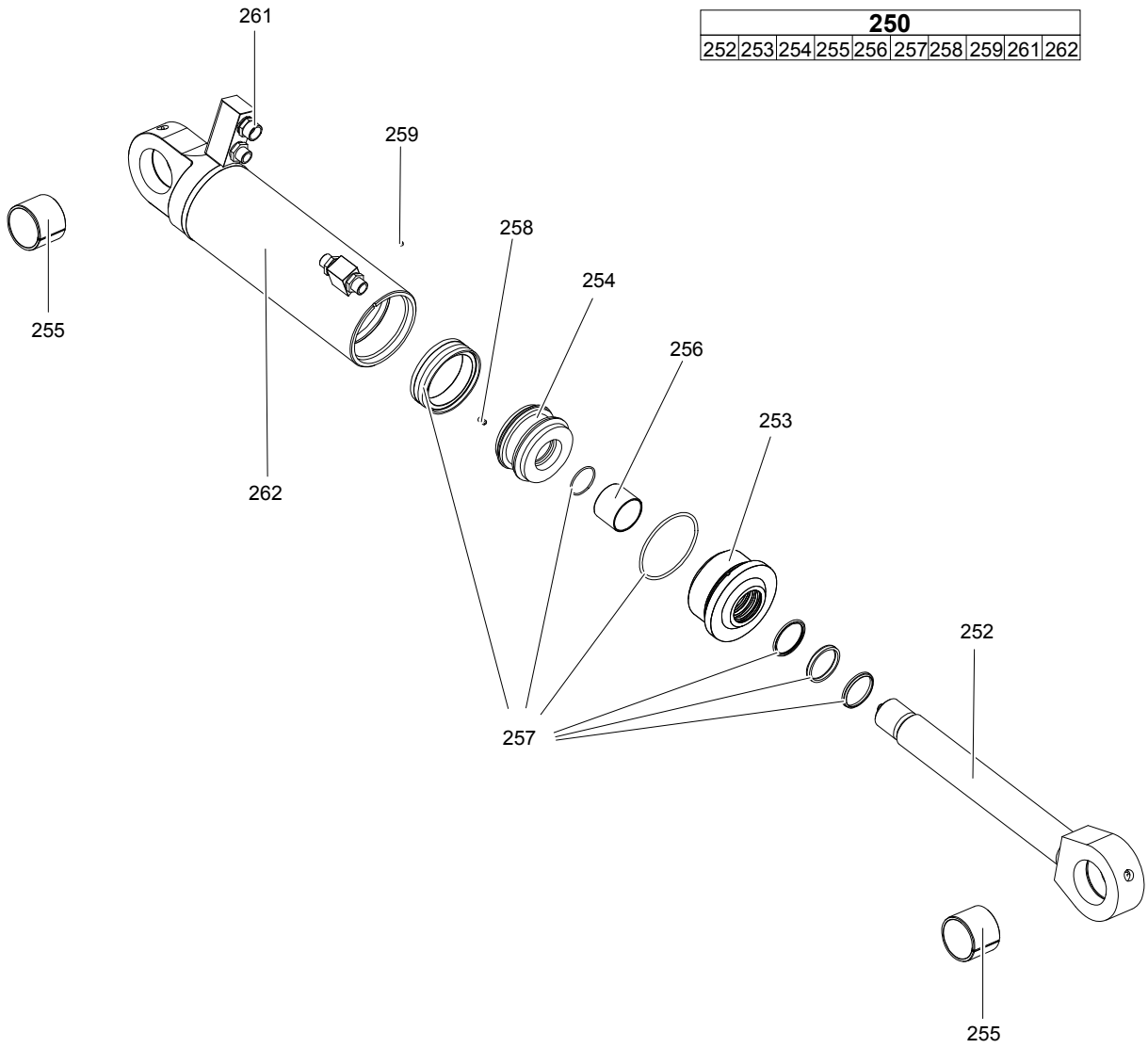
# Hydraulic cylinder, left-hand





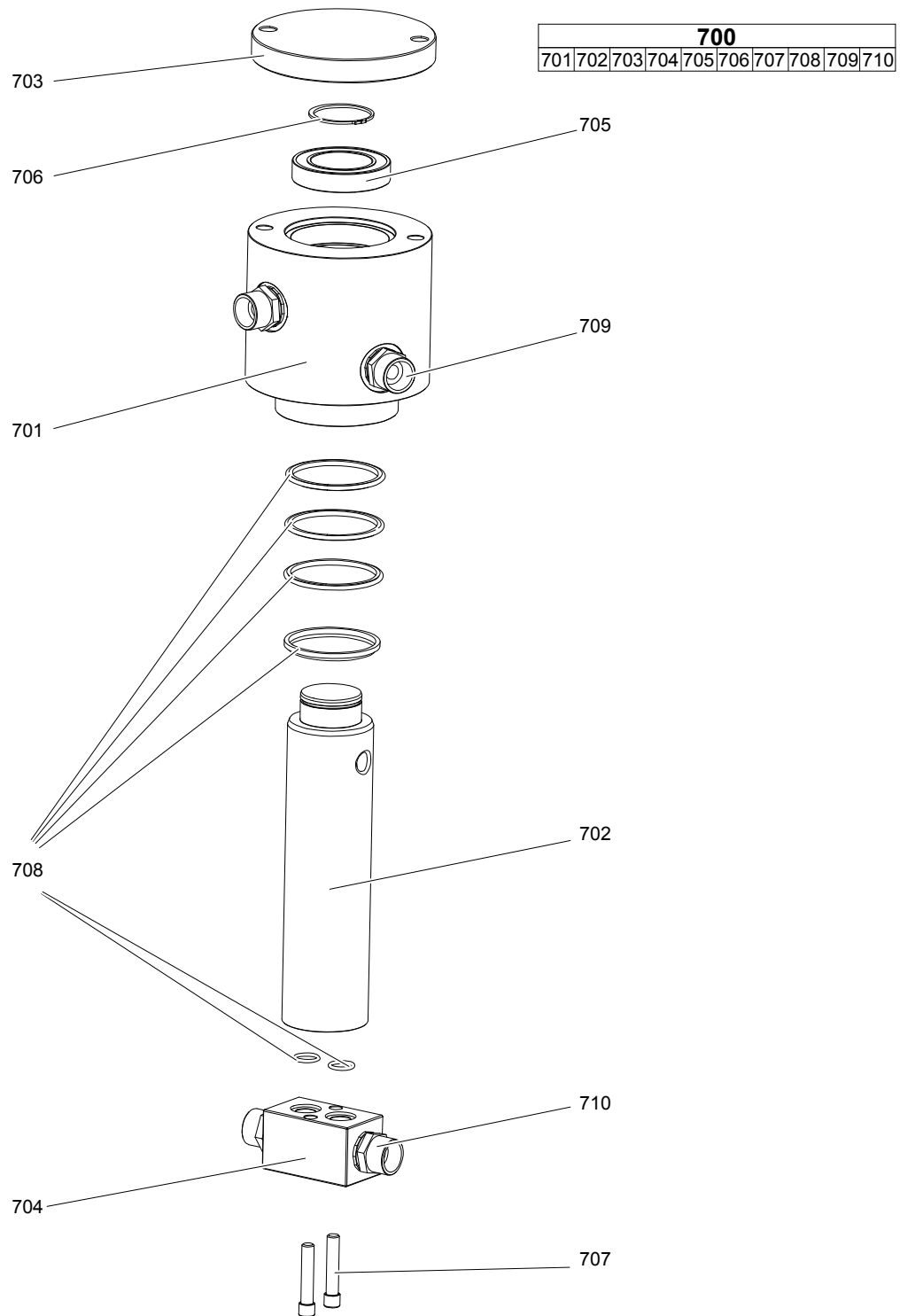
| No.                 | Description               | Remark             | Quantity | Part number  |
|---------------------|---------------------------|--------------------|----------|--------------|
| <b>200(201-210)</b> | <b>Hydraulic cylinder</b> |                    | 1        | 3363 1137 01 |
| 201                 | Cylinder body             |                    | 1        | 3363 1137 49 |
| 202                 | Piston rod                |                    | 1        | 3363 0984 79 |
| 203                 | Cover                     |                    | 1        | 3363 0984 80 |
| 204                 | Piston                    |                    | 1        | 3363 0984 81 |
| 205                 | Bearing bush              |                    | 2        | 3363 1137 50 |
| 206                 | Guide bush                |                    | 1        | 3363 0984 82 |
| 207                 | Seal kit                  |                    | 1        | 3363 1137 51 |
| 208                 | Pin                       |                    | 1        | 3363 1137 52 |
| 209                 | Pin                       |                    | 1        | 3363 0984 88 |
| 210                 | Connecting kit            | Kit with 2 nipples | 1        | 3363 1137 53 |

# Hydraulic cylinder, right-hand



| No.                 | Description               | Remark             | Quantity | Part number  |
|---------------------|---------------------------|--------------------|----------|--------------|
| <b>250(252-262)</b> | <b>Hydraulic cylinder</b> |                    | 1        | 3363 1137 00 |
| 252                 | Piston rod                |                    | 1        | 3363 0984 79 |
| 253                 | Cover                     |                    | 1        | 3363 0984 80 |
| 254                 | Piston                    |                    | 1        | 3363 0984 81 |
| 255                 | Bearing bush              |                    | 2        | 3363 1137 50 |
| 256                 | Guide bush                |                    | 1        | 3363 0984 82 |
| 257                 | Seal kit                  |                    | 1        | 3363 1137 51 |
| 258                 | Pin                       |                    | 1        | 3363 1137 52 |
| 259                 | Pin                       |                    | 1        | 3363 0984 88 |
| 261                 | Connecting kit            | Kit with 4 nipples | 1        | 3363 1137 55 |
| 262                 | Cylinder body             |                    | 1        | 3363 1137 54 |

# Rotary transmission



| No.                 | Description                | Remark             | Quantity | Part number  |
|---------------------|----------------------------|--------------------|----------|--------------|
| <b>700(701-710)</b> | <b>Rotary transmission</b> |                    | 1        | 3363 1137 32 |
| 701                 | Stator                     |                    | 1        | 3363 1137 56 |
| 702                 | Rotor                      |                    | 1        | 3363 1137 57 |
| 703                 | Cover                      |                    | 1        | 3363 1137 58 |
| 704                 | Connection block           |                    | 1        | 3363 0984 92 |
| 705                 | Bearing                    |                    | 1        | 3363 1137 59 |
| 706                 | Seeger circlip ring        |                    | 1        | 3363 1137 60 |
| 707                 | Allen screw kit            | Kit with 2 screws  | 1        | 3363 1137 22 |
| 708                 | Seal kit                   |                    | 1        | 3363 1137 61 |
| 709                 | Connecting kit             | Kit with 2 nipples | 1        | 3363 1137 62 |
| 710                 | Connecting kit             | Kit with 2 nipples | 1        | 3363 1137 63 |

## Tightening torques

| No. | Description         | Tightening torque | Remark                      |
|-----|---------------------|-------------------|-----------------------------|
| 54  | Allen screw and nut | 1000 Nm           | Allen key and socket wrench |
| 61  | Allen screw         | 300 Nm            | Allen key                   |
| 62  | Allen screw         | 300 Nm            | Allen key                   |

## Accessories

### Hydraulic hoses

#### Open - Close

| Description    | Remark  | Quantity | Part number  |
|----------------|---|----------|--------------|
| Hydraulic hose | I.D. 25 both ends M 42x2, conical seal 24°<br>length 2300 mm (90.55 in.)  | 2        | 3360 9923 40 |
| Hydraulic hose | I.D. 25 both ends M 42x2, conical seal 24°<br>length 2800 mm (110.24 in.) | 2        | 3361 8538 59 |

#### Rotation

| Description    | Remark   | Quantity | Part number  |
|----------------|--|----------|--------------|
| Hydraulic hose | I.D. 8 both ends M 20x1.5, conical seal 24°<br>length 2800 mm (110.24 in.) | 2        | 3363 0317 67 |
| Hydraulic hose | I.D. 8 both ends M 20x1.5, conical seal 24°<br>length 3500 mm (137.80 in.) | 2        | 3363 0343 99 |

### Optional equipment

| Description                        | Remark  | Quantity | Part number  |
|------------------------------------|---|----------|--------------|
| Cutter grease cartridge            | 12 x 400 g (0.88 lbs)   | 1        | 3363 0949 14 |
| Grease gun                         |   | 1        | 0909 1071 00 |
| Adapter plate matching the carrier | Consult the Atlas Copco Customer<br>Center/Dealer in your area. | 1        | -            |
| Base plate with threaded inserts   |   | 1        | 3363 0997 95 |
| Bolt kit                           |   | 1        | 3363 0873 06 |
| Base plate with through borings    |   | 1        | 3363 1006 99 |
| Bolt kit                           |   | 1        | 3363 0945 79 |
| Allen key                          | 22 mm for bolt kit  | 1        | 3360 2094 45 |

## Kits

### Label kit

| No. | Description | Remark | Quantity | Part number  |
|-----|-------------|--------|----------|--------------|
|     | Label kit   |        | 1        | 3363 0982 78 |

### Blade kit

| No. | Description | Remark                  | Quantity | Part number  |
|-----|-------------|-------------------------|----------|--------------|
| 52  | Blade kit   |                         | 1        | 3363 1138 08 |
| 53  | Blade       | Kit with 2 blades       | 1        | -            |
| 54  | Bolt kit    | Kit with 16 screws/nuts | 1        | 3363 1137 16 |

### Seal kit (Hydraulic motor)

| No. | Description                | Remark | Quantity | Part number  |
|-----|----------------------------|--------|----------|--------------|
| 42  | Seal kit (Hydraulic motor) |        | 1        | 3363 1137 30 |

### Seal kit (Hydraulic cylinder)

| No. | Description                   | Remark | Quantity | Part number  |
|-----|-------------------------------|--------|----------|--------------|
|     | Seal kit (Hydraulic cylinder) |        | 1        | 3363 1137 51 |

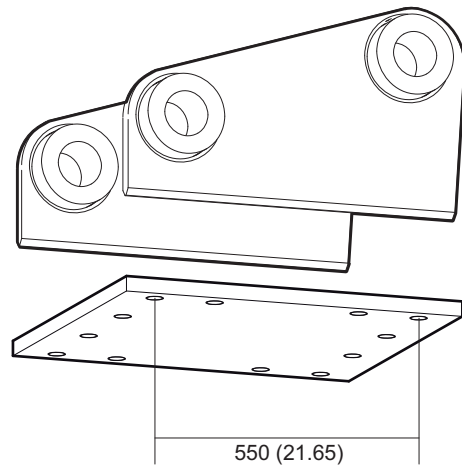
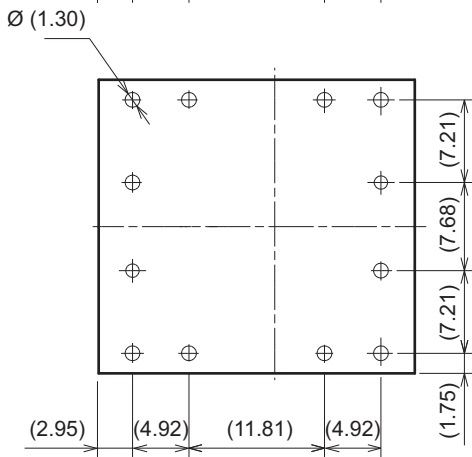
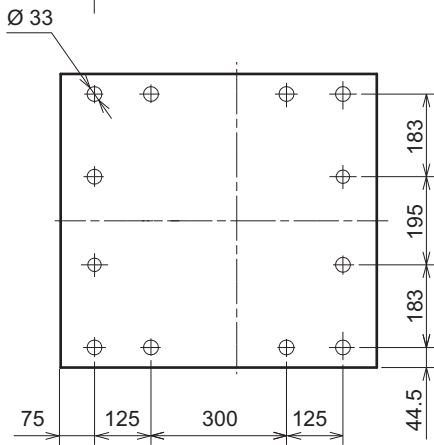
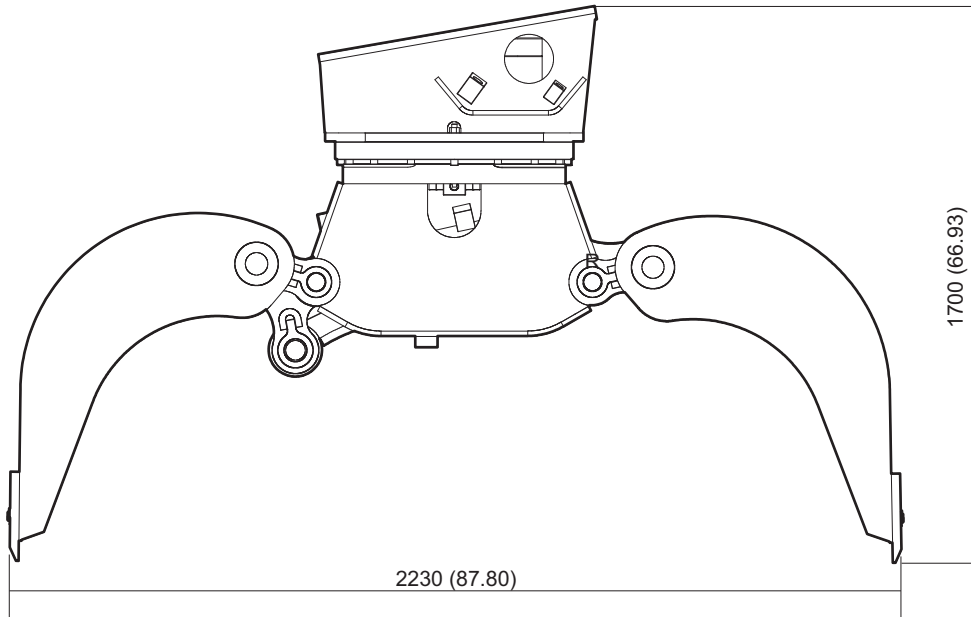
### Seal kit (Rotary transmission)

| No. | Description                    | Remark | Quantity | Part number  |
|-----|--------------------------------|--------|----------|--------------|
| 708 | Seal kit (Rotary transmission) |        | 1        | 3363 1137 61 |



# Dimensions

mm (inch)







Any unauthorized use or copying of the contents or any part thereof is prohibited.  
This applies in particular to trademarks, model denominations, part numbers, and  
drawings.

© 2012 Atlas Copco Construction Tools GmbH | No. 3390 7257 01 | 2012-04-11

**Atlas Copco**

[www.atlascopco.com](http://www.atlascopco.com)