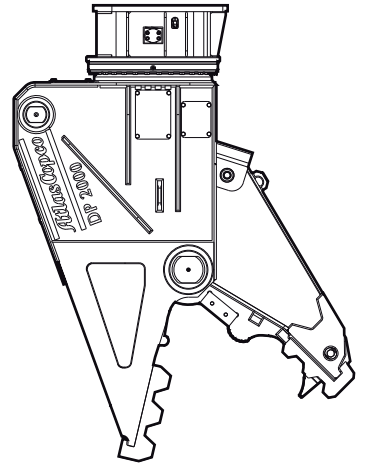


Spare parts list Demolition pulverizer

	Valid from serial number
Demolition pulverizer DP 2000	110



Contents

General information	5
Spare parts list	6
Demolition pulverizer DP 2000, from serial number 170	6
Demolition pulverizer DP 2000, up to serial number 169	8
Pulverizer jaw	10
Hydraulic cylinder	12
Cover	14
Upper part complete, up to serial number 169	16
Upper part complete, from serial number 170	18
Rotary transmission	20
Tightening torques	22
Accessories	23
Hydraulic hoses	23
Optional equipment	23
Kits	24
Label kit	24
Cutter blades kit	24
Tooth plate kit (Housing) Demolition	24
Tooth plate kit (Housing) Recycling	24
Tooth plate kit (Pulverizer jaw)	25
Seal kit (Hydraulic motor housing)	25
Seal kit (Hydraulic motor)	25
Seal kit for rapid movement valve	25
Dimensions	26

General information

This spare parts list applies to the following:

Part number	Description
3363 0974 01	Demolition pulverizer DP 2000

Use only authorized parts. Any damage or malfunction caused by the use of unauthorized parts is not covered by Warranty or Product Liability. Any unauthorized use or copying of the contents or any part thereof is prohibited. This applies in particular to trademarks, model denominations, part numbers, and drawings.

Instructions for use

This spare parts list contains no safety regulations and is merely intended to assist in the ordering of spare parts.

For information about operating, servicing, or repairing, the relevant Safety and operating instructions must be consulted at all costs.

Please observe the safety instructions listed in the relevant Safety and operating instructions!

Instructions of ordering

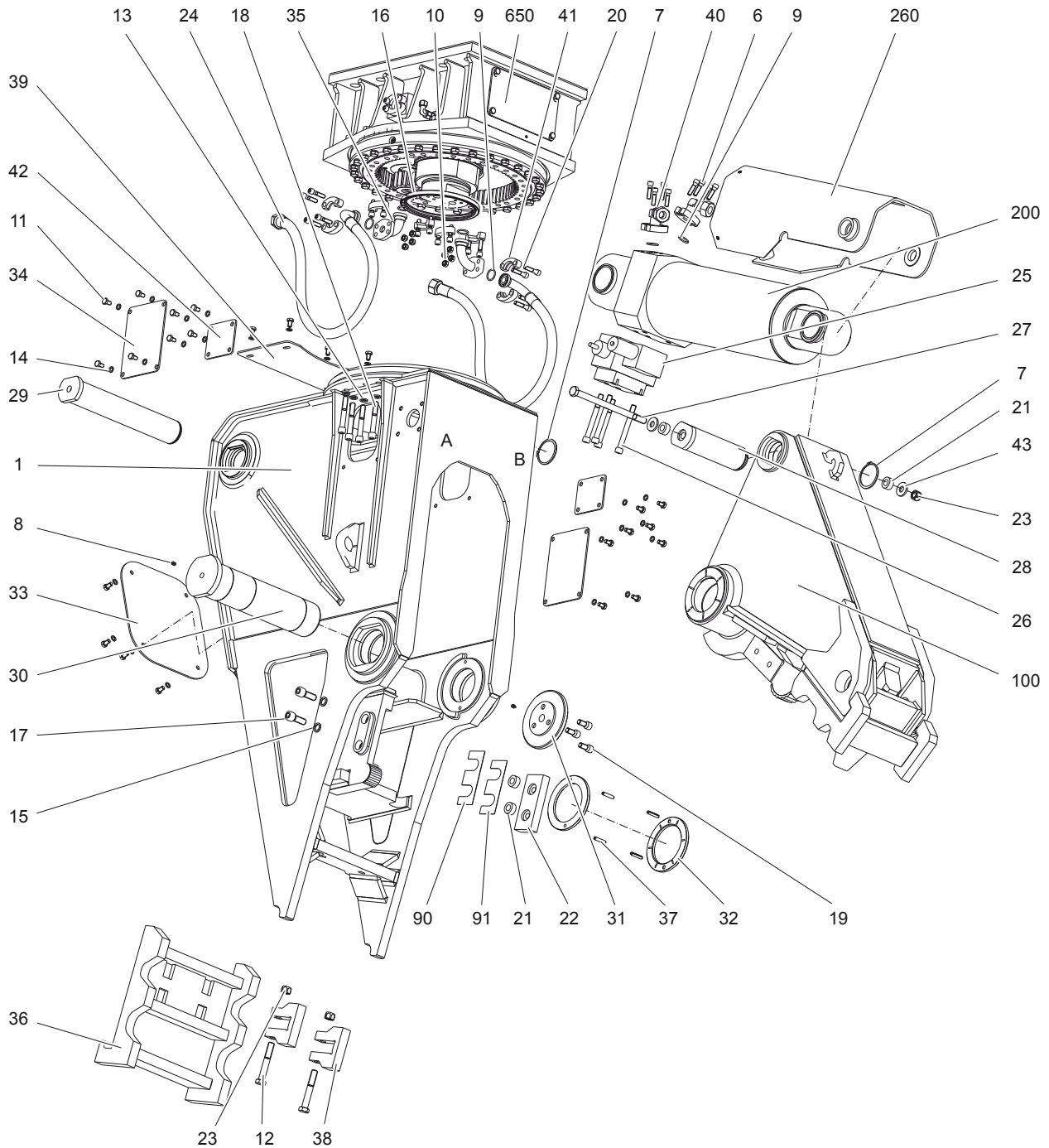
It is essential to indicate the serial number of the hydraulic attachment when ordering spare parts!

Determine the quantity of individual parts which are required and need to be ordered. The order must indicate the following details:

- full identification code of the hydraulic attachment
- required quantity
- part number
- description

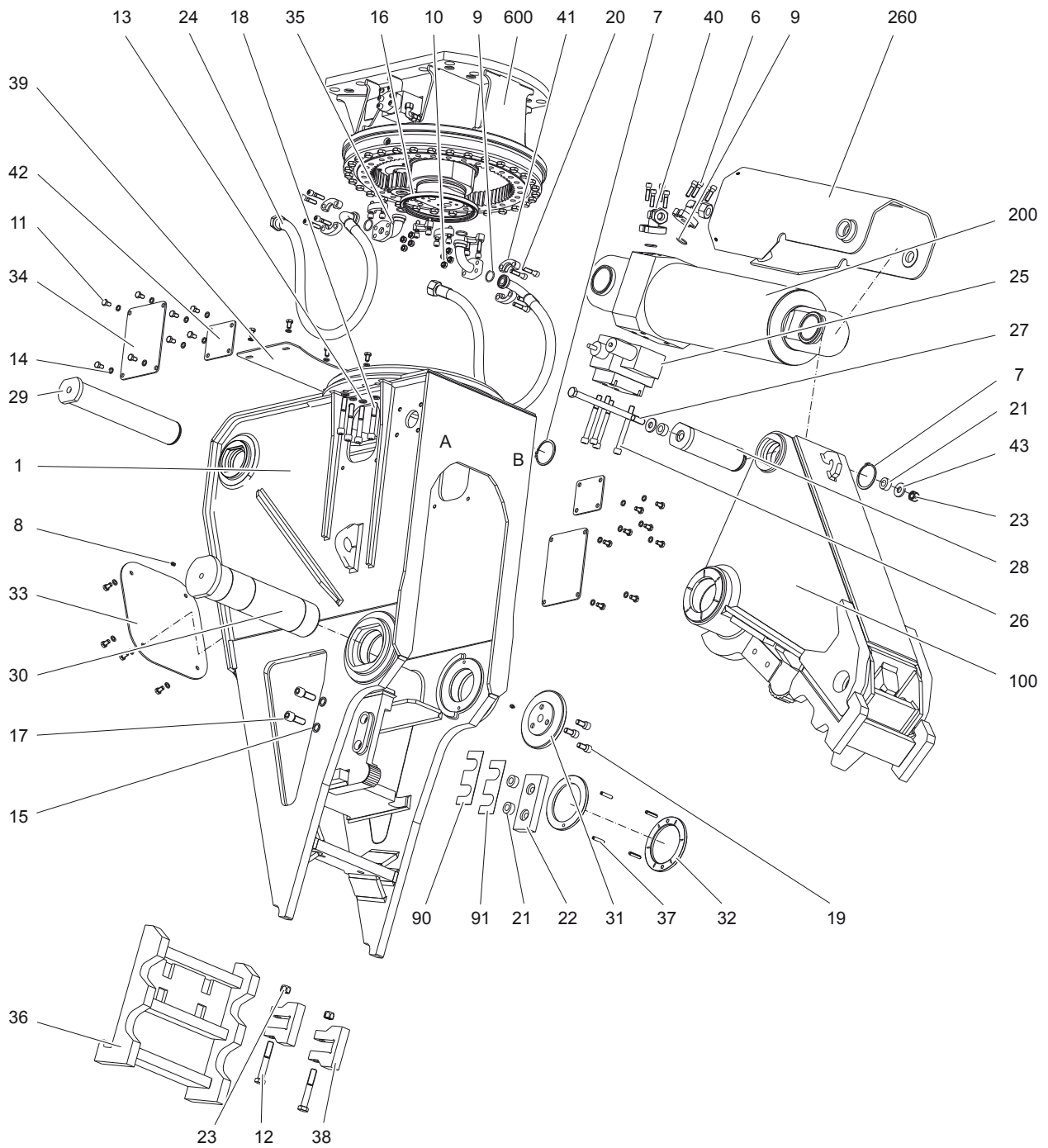
Spare parts list

Demolition pulverizer DP 2000, from serial number 170



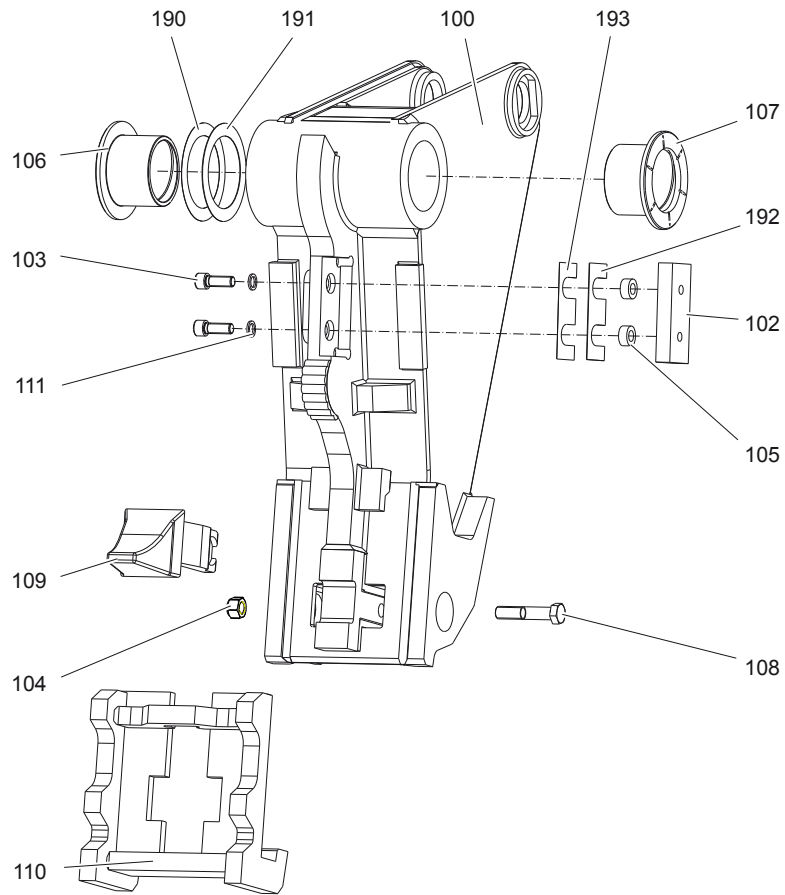
No.	Description	Remark	Quantity	Part number
1	Housing		1	3363 0974 03
6	Allen screw		16	3360 0265 13
7	Snapping		2	3360 0285 25
8	Grease nipple		2	3360 2098 34
9	O-ring		6	3360 3143 70
10	Hexagon nut		8	3360 4305 81
11	Hexagon head screw		24	3360 4333 81
12	Hexagon head screw		2	3360 4343 50
13	Pair of lock washers		24	3361 3337 03
14	Pair of lock washers		24	3361 8505 96
15	Pair of lock washers		2	3361 8507 48
16	Rotary shaft seal		1	3362 2676 80
17	Allen screw		2	3362 3280 57
18	Allen screw		24	3362 3280 98
19	Allen screw		3	3362 3281 13
20	Allen screw		8	3363 0315 93
21	Lock ring		4	3363 0351 07
22	Cutter blade		1	3363 0864 55
23	Hexagon nut		3	3363 0876 19
24	Hydraulic hose		2	3363 0910 82
25	Rapid movement valve		1	3363 1036 91
26	Allen screw		4	3363 0910 92
27	Hexagon head screw		1	3363 0919 08
28	Bolt		1	3363 0927 33
29	Bolt		1	3363 0927 35
30	Bolt		1	3363 0927 37
31	Cap		1	3363 0927 39
32	Wear ring		2	3363 0927 41
33	Plate		1	3363 0927 45
34	Plate		2	3363 0927 49
35	Connection		2	3363 0937 97
36	Tooth plate	demolition recycling see chapter <i>Optional equipment</i>	1	3363 1036 30
37	Spring dowel sleeve		4	3363 0981 04
38	Fastener		2	3363 0990 31
39	Plate		1	3363 0927 47
40	Flange connection		2	3362 2635 93
41	Flange half		8	3361 8532 08
42	Plate		2	3363 1036 32
43	Disk		2	3363 1062 68
90	Spacer plate	1.0 mm thick, as required	1	3363 0910 26
91	Spacer plate	0.2 mm thick, as required	1	3363 0924 03
100	Pulverizer jaw complete	see separate chapter	1	3363 1036 34
200	Hydraulic cylinder complete	see separate chapter	1	3363 1036 24
260	Cover complete	see separate chapter	1	3363 1036 26
650	Upper part complete	see separate chapter	1	3363 1002 33

Demolition pulverizer DP 2000, up to serial number 169



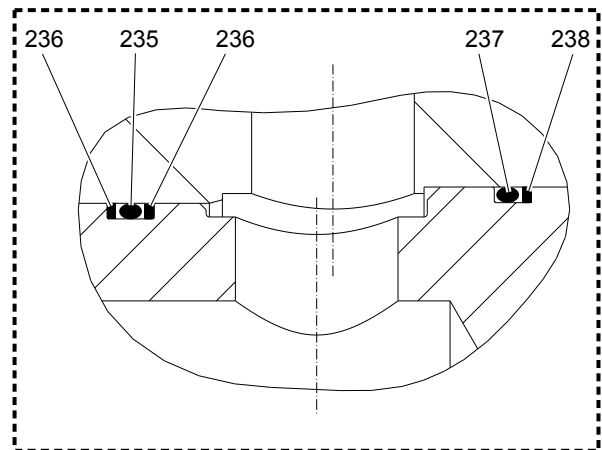
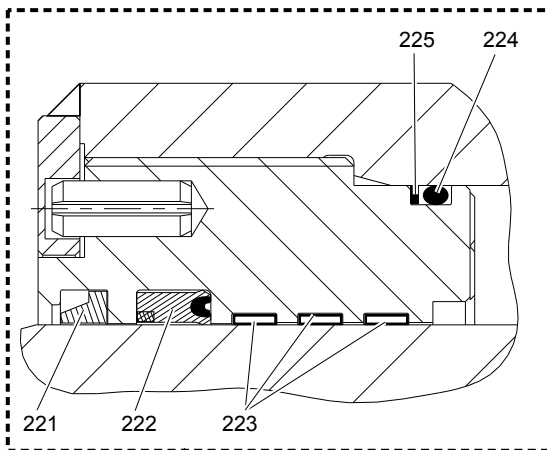
No.	Description	Remark	Quantity	Part number
1	Housing		1	3363 0974 03
6	Allen screw		16	3360 0265 13
7	Snapping		2	3360 0285 25
8	Grease nipple		2	3360 2098 34
9	O-ring		6	3360 3143 70
10	Hexagon nut		8	3360 4305 81
11	Hexagon head screw		24	3360 4333 81
12	Hexagon head screw		2	3360 4343 50
13	Pair of lock washers		24	3361 3337 03
14	Pair of lock washers		24	3361 8505 96
15	Pair of lock washers		2	3361 8507 48
16	Rotary shaft seal		1	3362 2676 80
17	Allen screw		2	3362 3280 57
18	Allen screw		24	3362 3280 98
19	Allen screw		3	3362 3281 13
20	Allen screw		8	3363 0315 93
21	Lock ring		4	3363 0351 07
22	Cutter blade		1	3363 0864 55
23	Hexagon nut		3	3363 0876 19
24	Hydraulic hose		2	3363 0910 82
25	Rapid movement valve		1	3363 1036 91
26	Allen screw		4	3363 0910 92
27	Hexagon head screw		1	3363 0919 08
28	Bolt		1	3363 0927 33
29	Bolt		1	3363 0927 35
30	Bolt		1	3363 0927 37
31	Cap		1	3363 0927 39
32	Wear ring		2	3363 0927 41
33	Plate		1	3363 0927 45
34	Plate		2	3363 0927 49
35	Connection		2	3363 0937 97
36	Tooth plate	demolition recycling see chapter <i>Optional equipment</i>	1	3363 1036 30
37	Spring dowel sleeve		4	3363 0981 04
38	Fastener		2	3363 0990 31
39	Plate		1	3363 0927 47
40	Flange connection		2	3362 2635 93
41	Flange half		8	3361 8532 08
42	Plate		2	3363 1036 32
43	Disk		2	3363 1062 68
90	Spacer plate	1.0 mm thick, as required	1	3363 0910 26
91	Spacer plate	0.2 mm thick, as required	1	3363 0924 03
100	Pulverizer jaw complete	see separate chapter	1	3363 1036 34
200	Hydraulic cylinder complete	see separate chapter	1	3363 1036 24
260	Cover complete	see separate chapter	1	3363 1036 26
600	Upper part complete	see separate chapter	1	3363 0923 01

Pulverizer jaw

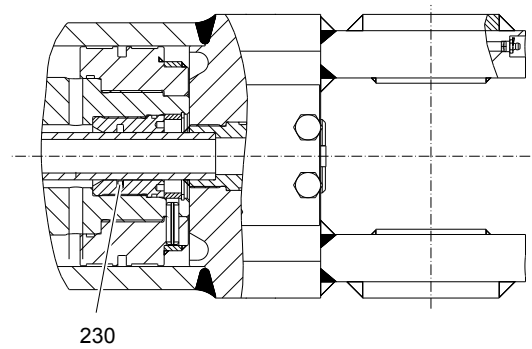
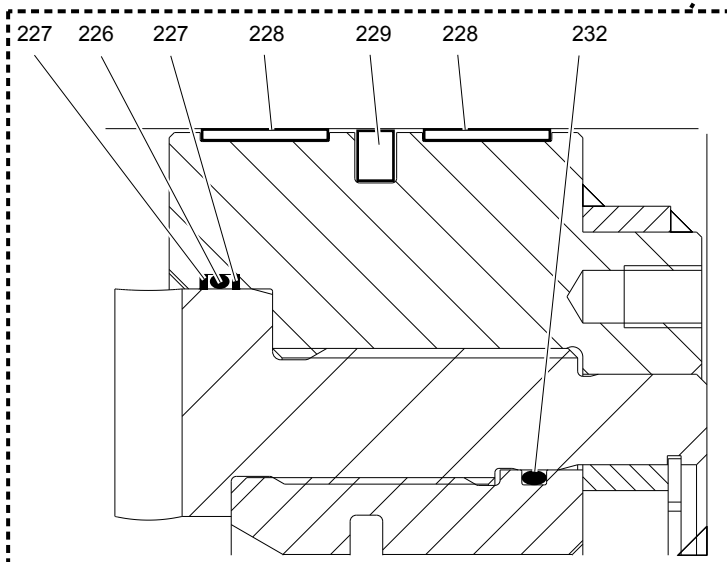
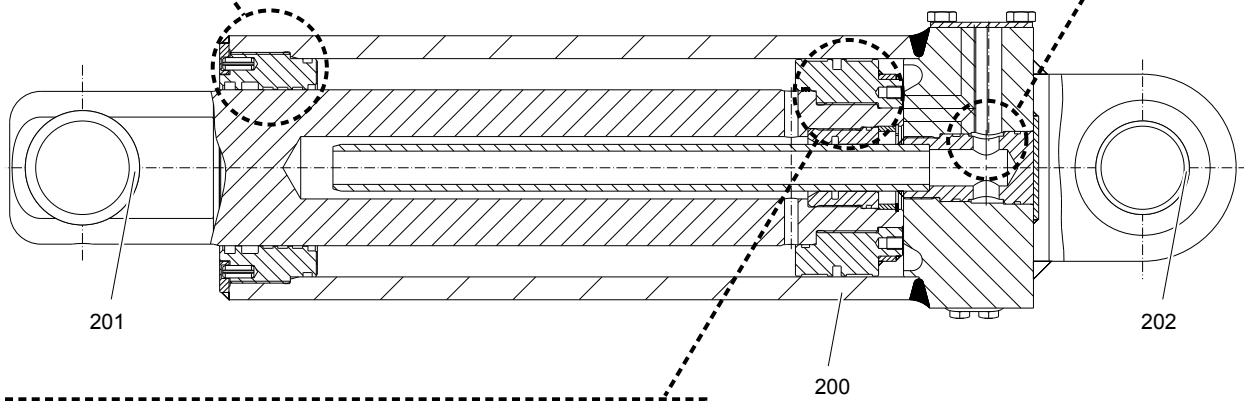


No.	Description	Remark	Quantity	Part number
100	Pulverizer jaw complete	with parts No. 102 to 111	1	3363 1036 34
102	Cutter blade		1	3363 0864 55
103	Allen screw		2	3362 3280 57
104	Hexagon nut		1	3363 0839 65
105	Lock ring		2	3363 0351 07
106	Bearing bush		1	3363 0927 77
107	Bearing bush		1	3363 0927 79
108	Hexagon head screw		1	3363 0839 63
109	Tip of tooth		1	3363 0699 31
110	Tooth plate		1	3363 1036 74
111	Pair of lock washers		2	3361 8507 48
190	Shim	0.2 mm thick, as required	1	3363 0910 56
191	Shim	1.0 mm thick, as required	1	3363 0921 41
192	Spacer plate	1.0 mm thick, as required	1	3363 0910 26
193	Spacer plate	0.2 mm thick, as required	1	3363 0924 03

Hydraulic cylinder

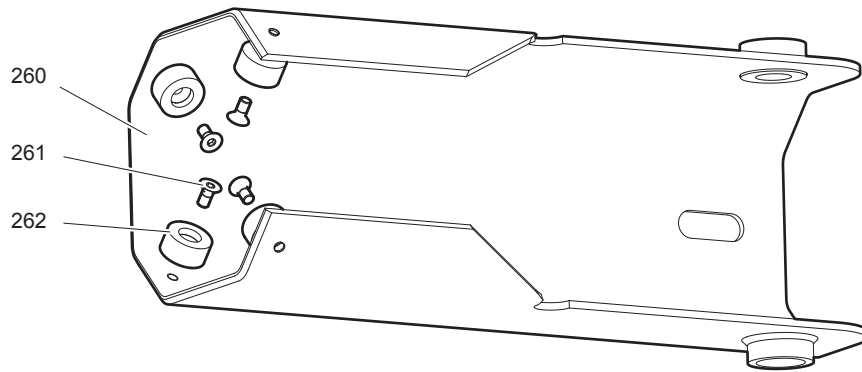


220														
221	222	223	224	225	226	227	228	229	230	232	235	236	237	238



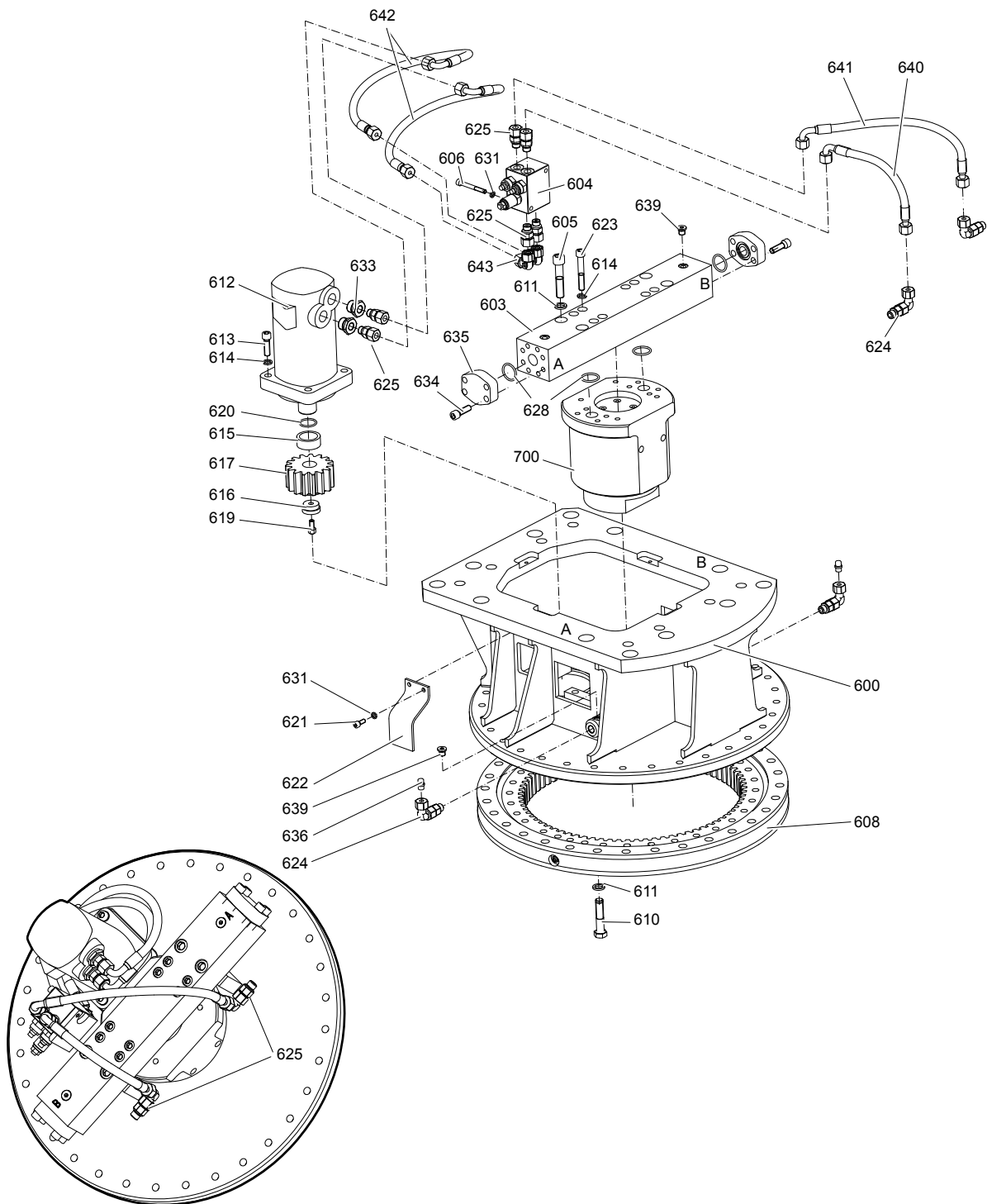
No.	Description	Remark	Quantity	Part number
200	Hydraulic cylinder complete	with parts No. 201 to 238	1	3363 1036 24
201	Clamping bush		2	3363 0919 40
202	Clamping bush		2	3363 0919 41
220(221-238)	Seal kit		1	3363 0989 00
221	Wiper		1	-
222	Seal		1	-
223	Seal		3	-
224	O-ring		1	-
225	Back-up ring		1	-
226	O-ring		1	-
227	Back-up ring		2	-
228	Guide ring		2	-
229	Guide ring		1	-
230	Seal		1	-
232	O-ring		1	-
235	O-ring		1	-
236	Back-up ring		2	-
237	O-ring		1	-
238	Back-up ring		1	-

Cover



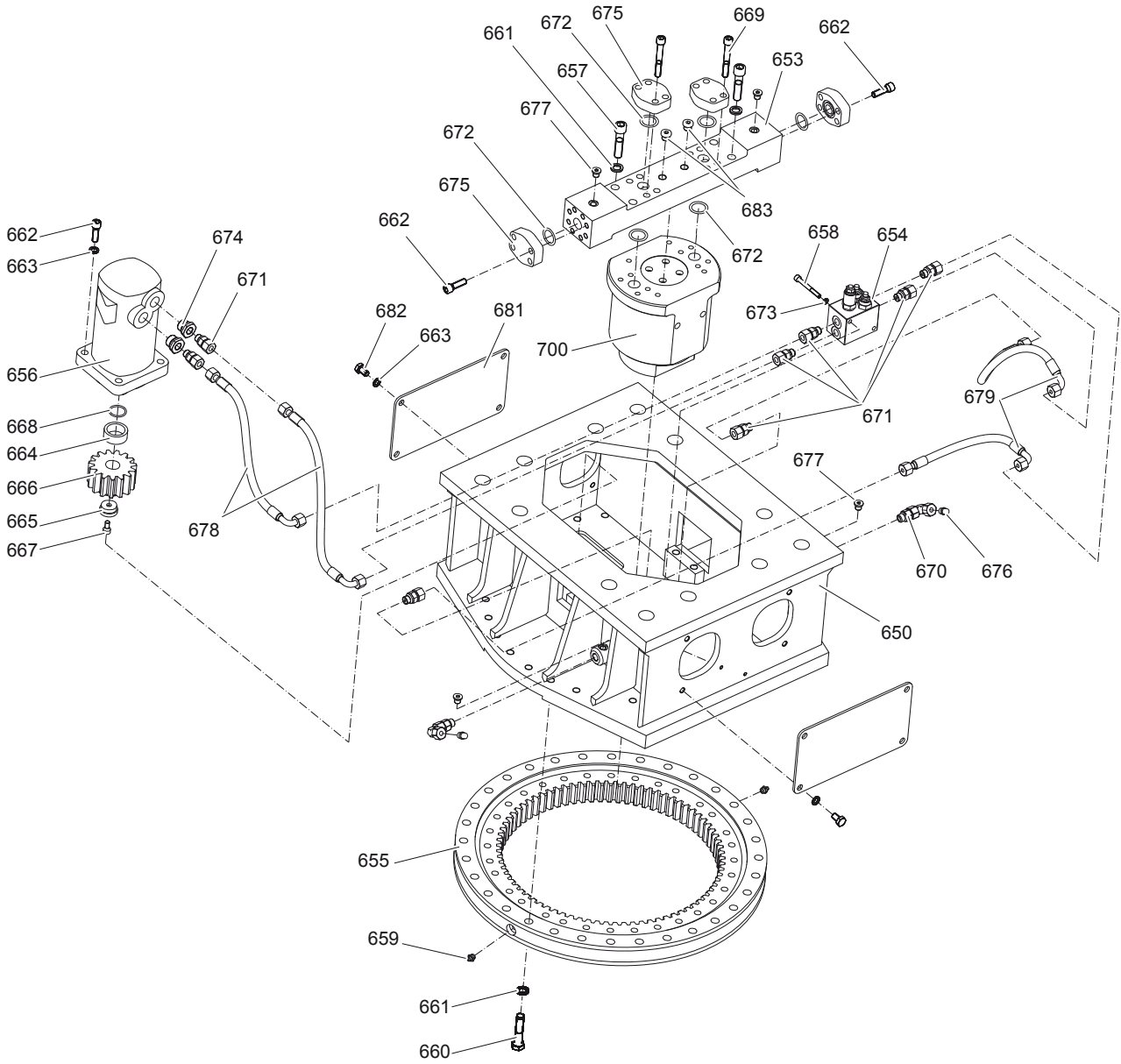
No.	Description	Remark	Quantity	Part number
260	Cover complete	with parts No. 261 to 262	1	3363 1036 26
261	Screw		4	3363 0910 47
262	Wear piece		4	3363 0990 47

Upper part complete, up to serial number 169



No.	Description	Remark	Quantity	Part number
600	Upper part complete	with parts No. 603 to 643 and 700	1	3363 0923 01
603	Connection plate		1	3363 0923 19
604	Valve block		1	3362 2667 12
605	Allen screw		4	3360 0266 48
606	Allen screw		2	3360 1037 38
608	Four point bearing		1	3362 2676 96
610	Hexagon head screw		32	3363 0858 87
611	Pair of lock washers		36	3361 3337 03
612	Hydraulic motor		1	3363 0858 83
613	Allen screw		4	3360 0265 12
614	Pair of lock washers		12	3361 8505 96
615	Ring		1	3362 2658 69
616	Ring		1	3363 0883 27
617	Spur pinion		1	3362 2608 07
619	Allen screw		1	3361 0319 81
620	O-ring		1	3360 3133 04
621	Allen screw		2	3363 0883 33
622	Valve cover		1	3363 0923 31
623	Allen screw		8	3360 1184 43
624	Fitting		4	3363 0919 12
625	Fitting		8	3360 4783 33
628	O-ring		6	3360 3143 70
631	Pair of lock washers		4	3361 8507 43
633	Fitting		2	3362 2674 35
634	Allen screw		16	3360 0265 13
635	Blind flange		4	3363 0340 40
636	Plug		2	3360 3145 93
639	Threaded plug		4	3360 4784 39
640	Hydraulic hose		1	3363 0839 72
641	Hydraulic hose		1	3363 0858 85
642	Hydraulic hose		2	3363 0839 70
643	Fitting		2	3360 3149 91
700	Rotary transmission	see separate chapter	1	3363 0336 85

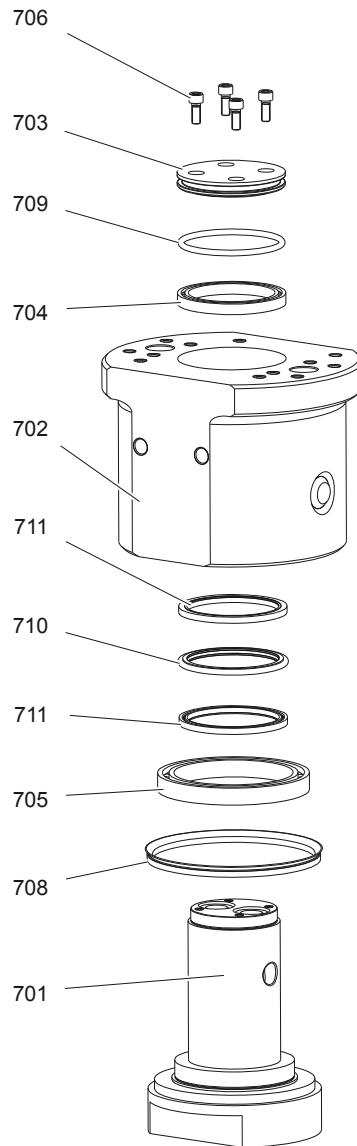
Upper part complete, from serial number 170



No.	Description	Remark	Quantity	Part number
650	Upper part complete	with parts No. 653 to 700	1	3363 1002 33
653	Connection plate		1	3363 0920 99
654	Valve block		1	3362 2667 12
655	Four point bearing		1	3362 2676 96
656	Hydraulic motor		1	3363 0858 83
657	Allen screw		4	3360 0266 46
658	Allen screw		2	3360 1037 38
659	Grease nipple		2	3360 4337 74
660	Hexagon head screw		32	3363 0858 87
661	Pair of lock washers		36	3361 3337 03
662	Allen screw		12	3360 0265 12
663	Pair of lock washers		12	3361 8505 96
664	Ring		1	3362 2658 69
665	Ring		1	3363 0883 27
666	Spur pinion		1	3362 2608 07
667	Allen screw		1	3361 0319 81
668	O-ring		1	3360 3133 04
669	Allen screw		8	3363 0344 29
670	Fitting		2	3363 0919 12
671	Fitting		8	3360 4783 33
672	O-ring		6	3360 3143 70
673	Pair of lock washers		2	3361 8507 43
674	Fitting		2	3362 2674 35
675	Blind flange	with one time 672 and four times 662	4	3363 0340 40
676	Plug		2	3360 3145 93
677	Threaded plug		4	3360 4784 39
678	Hydraulic hose		2	3363 0858 85
679	Hydraulic hose		2	3363 0839 72
681	Cover sheet		2	3363 1041 23
682	Hexagon head screw		8	3360 4333 81
683	Threaded plug		2	3360 4784 40
700	Rotary transmission	see separate chapter	1	3363 0336 85

Rotary transmission

700						
701	702	703	704	705	706	707



707			
708	709	710	711

No.	Description	Remark	Quantity	Part number
700(701-706,707)	Rotary transmission		1	3363 0336 85
701	Rotor		1	3363 0343 16
702	Stator		1	3363 0343 17
703	Cap		1	3363 0343 18
704	Ball bearing		1	3363 0343 19
705	Ball bearing		1	3363 0343 20
706	Allen screw		4	3363 0343 25
707(708-711)	Seal kit		1	3363 0830 66
708	V-ring		1	-
709	O-ring		1	-
710	Slide ring		1	-
711	Seal		2	-

Tightening torques

No.	Description	Tightening torque	Remark
6	Allen screw	77 + 5 Nm	
11	Hexagon head screw	77 + 5 Nm	
12	Hexagon head screw	385 + 5 Nm	
17	Allen screw	550 + 5 Nm	
18	Allen screw	280 + 5 Nm	
19	Allen screw	190 + 5 Nm	
20	Allen screw	77 + 5 Nm	
26	Allen screw	250 + 5 Nm	
27	Hexagon head screw	385 + 5 Nm	
50	Allen screw	280 + 5 Nm	
103	Allen screw	530 + 30 Nm	
104	Hexagonal nut	920 + 30 Nm	
605	Allen screw	255 + 30 Nm	
606	Allen screw	19 + 5 Nm	
610	Hexagon head screw	270 + 10 Nm	
613	Allen screw	75 + 10 Nm	
619	Allen screw	70 + 5 Nm	fix with Loctite 243
621	Allen screw	19 + 5 Nm	
623	Allen screw	75 + 10 Nm	
624	Fitting	70 + 5 Nm	
625	Fitting	70 + 5 Nm	
633	Fitting	150 + 20 Nm	
634	Allen screw	44 + 5 Nm	
639	Threaded plug	25 + 5 Nm	
657	Allen screw	255 + 30 Nm	
658	Allen screw	19 + 5 Nm	
660	Hexagon head screw	270 + 10 Nm	
662	Allen screw	75 + 10 Nm	
667	Allen screw	70 + 5 Nm	fix with Loctite 243
669	Allen screw	75 + 10 Nm	
670	Fitting	70 + 5 Nm	
671	Fitting	70 + 5 Nm	
674	Fitting	150 + 20 Nm	
677	Threaded plug	25 + 5 Nm	
682	Hexagon head screw	75 + 10 Nm	

Accessories

Hydraulic hoses

Open - Close

Description	Remark	Quantity	Part number
Hydraulic Hose	I.D. 25 (1"), flange SAE 90° - 6000 PSI / M 42x2, conical seal 24°, length 2300 mm (91 in.)	2	3363 0946 45
Hydraulic Hose	I.D. 25 (1"), flange SAE 90° - 6000 PSI / M 42x2, conical seal 24°, length 2800 mm (110 in.)	2	3363 0946 46

Accessories to hydraulic hoses "Open - Close"

Description	Remark	Quantity	Part number
Allen screw		8	3360 0265 13
O-ring		2	3360 3143 70

Rotation

Description	Remark	Quantity	Part number
Hydraulic Hose	I.D. 8 (3/8"), both ends M 20x1.5, conical seal 24°, length 2800 mm (110 in.)	2	3363 0317 67
Hydraulic Hose	I.D. 8 (3/8"), both ends M 20x1.5, conical seal 24°, length 3500 mm (138 in.)	2	3363 0343 99

Optional equipment

Description	Remark	Quantity	Part number
Chisel paste cartridge	12 x 400 g (0.88 lbs)	1	3363 0949 14
Grease gun		1	0909 1071 00
Tooth plate	recycling	1	3363 1036 64
Adapter plate matching the carrier Consult the Atlas Copco Customer Center/Dealer in your area.		1	-
Base plate with threaded inserts		1	3363 0997 99
Bolt kit		1	3363 0873 06
Base plate with through borings		1	3363 1006 97
Bolt kit		1	3363 0945 79
Allen key	22 mm for bolt kit	1	3360 2094 45

Kits

Label kit

No.	Description	Remark	Quantity	Part number
	Label kit		1	3363 0982 08

Cutter blades kit

No.	Description	Remark	Quantity	Part number
	Cutter blades kit		1	3363 0982 62
15	Pair of lock washers		2	3361 8507 48
17	Allen screw		2	3362 3280 57
21	Lock ring		2	3363 0351 07
22	Cutter blade		1	3363 0864 55
90	Spacer plate	1.0 mm thick, as required	1	3363 0910 26
91	Spacer plate	0.2 mm thick, as required	1	3363 0924 03
102	Cutter blade		1	3363 0864 55
103	Allen screw		2	3362 3280 57
105	Lock ring		2	3363 0351 07
111	Pair of lock washers		2	3361 8507 48
192	Spacer plate	1.0 mm thick, as required	1	3363 0910 26
193	Spacer plate	0.2 mm thick, as required	1	3363 0924 03

Tooth plate kit (Housing) Demolition

No.	Description	Remark	Quantity	Part number
	Tooth plate kit (Housing) Demolition		1	3363 0982 63
12	Hexagon head screw		2	3360 4343 50
23	Hexagon nut		2	3363 0876 19
36	Tooth plate		1	3363 1036 30
38	Fastener		2	3363 0990 31

Tooth plate kit (Housing) Recycling

No.	Description	Remark	Quantity	Part number
	Tooth plate kit (Housing) Recycling		1	3363 0989 65
12	Hexagon head screw		2	3360 4343 50
23	Hexagon nut		2	3363 0876 19
36	Tooth plate		1	3363 1036 64
38	Fastener		2	3363 0990 31

Tooth plate kit (Pulverizer jaw)

No.	Description	Remark	Quantity	Part number
	Tooth plate kit (Pulverizer jaw)		1	3363 0982 64
104	Hexagon nut		1	3363 0839 65
108	Hexagon head screw		1	3363 0839 63
109	Tip of tooth		1	3363 0699 31
110	Tooth plate		1	3363 1036 74

Seal kit (Hydraulic motor housing)

No.	Description	Remark	Quantity	Part number
	Seal kit (Hydraulic motor housing)		1	3363 0839 45

Seal kit (Hydraulic motor)

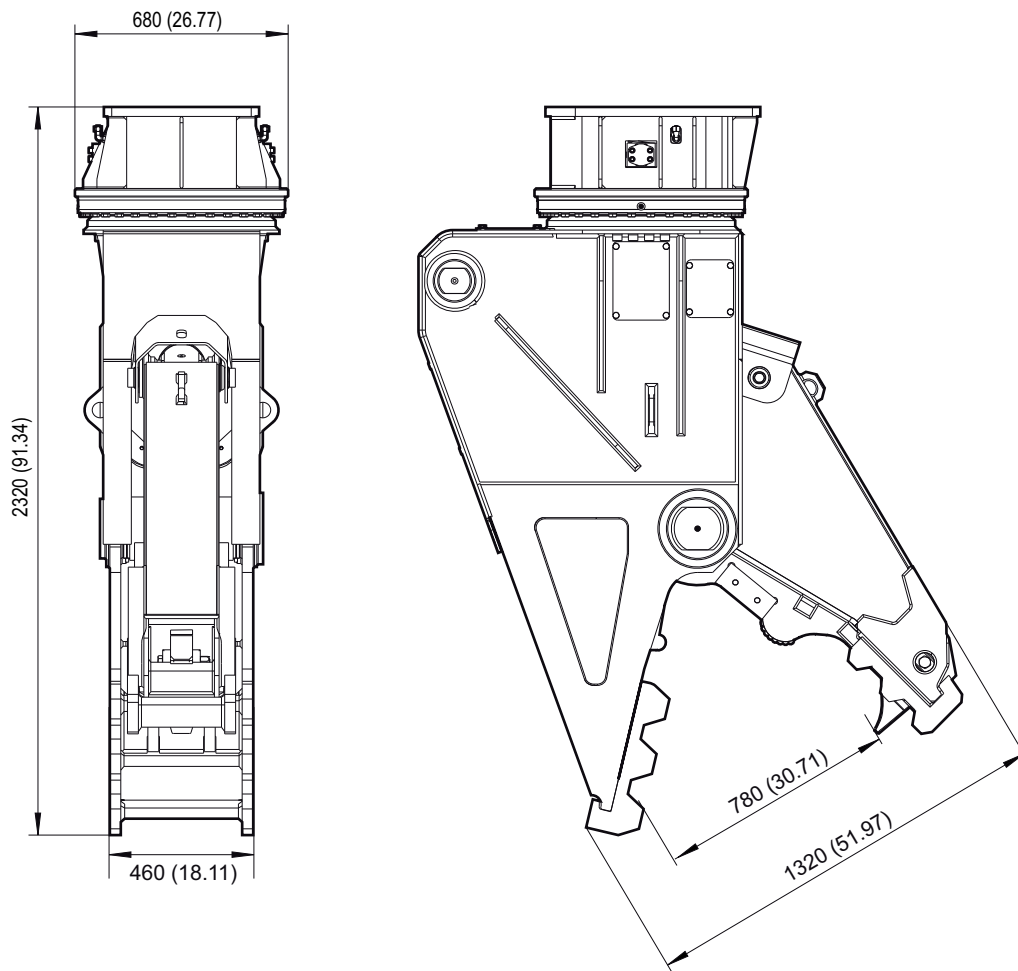
No.	Description	Remark	Quantity	Part number
	Seal kit (Hydraulic motor)		1	3363 0830 74

Seal kit for rapid movement valve

No.	Description	Remark	Quantity	Part number
	Seal kit		1	3363 1131 68

Dimensions

mm (inch)





Any unauthorized use or copying of the contents or any part thereof is prohibited.
This applies in particular to trademarks, model denominations, part numbers, and
drawings.

© 2013 Atlas Copco Construction Tools GmbH | No. 3390 7232 01 | 2013-04-17