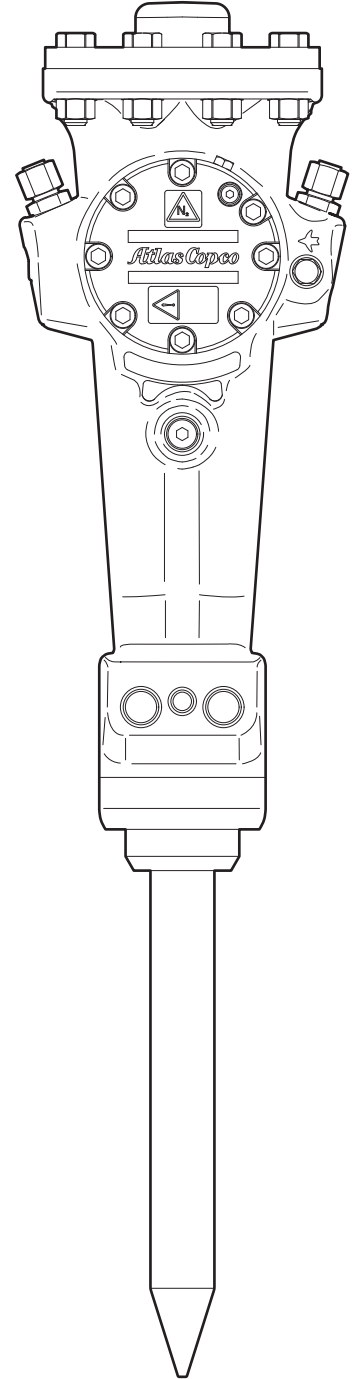


Spare parts list Hydraulic breakers



Contents

General information	5
Spare parts list	6
Optional parts	10
Bushing oversize, complete.....	10
Restrictor, complete.....	12
Tightening torque	14
Working tools	15
Accessories	17
Optional equipment	17
Hydraulic hoses	17
Kits	18
Label kit	18
Seal kit	19
Lower hammer part kit	20
Accumulator repair kit	21
Dimensions	22

General information

This spare parts list applies to the following:

Part number	Description
8460 0300 30	Hydraulic breaker SB 102

Use only authorized parts. Any damage or malfunction caused by the use of unauthorized parts is not covered by Warranty or Product Liability. Any unauthorized use or copying of the contents or any part thereof is prohibited. This applies in particular to trademarks, model denominations, part numbers, and drawings.

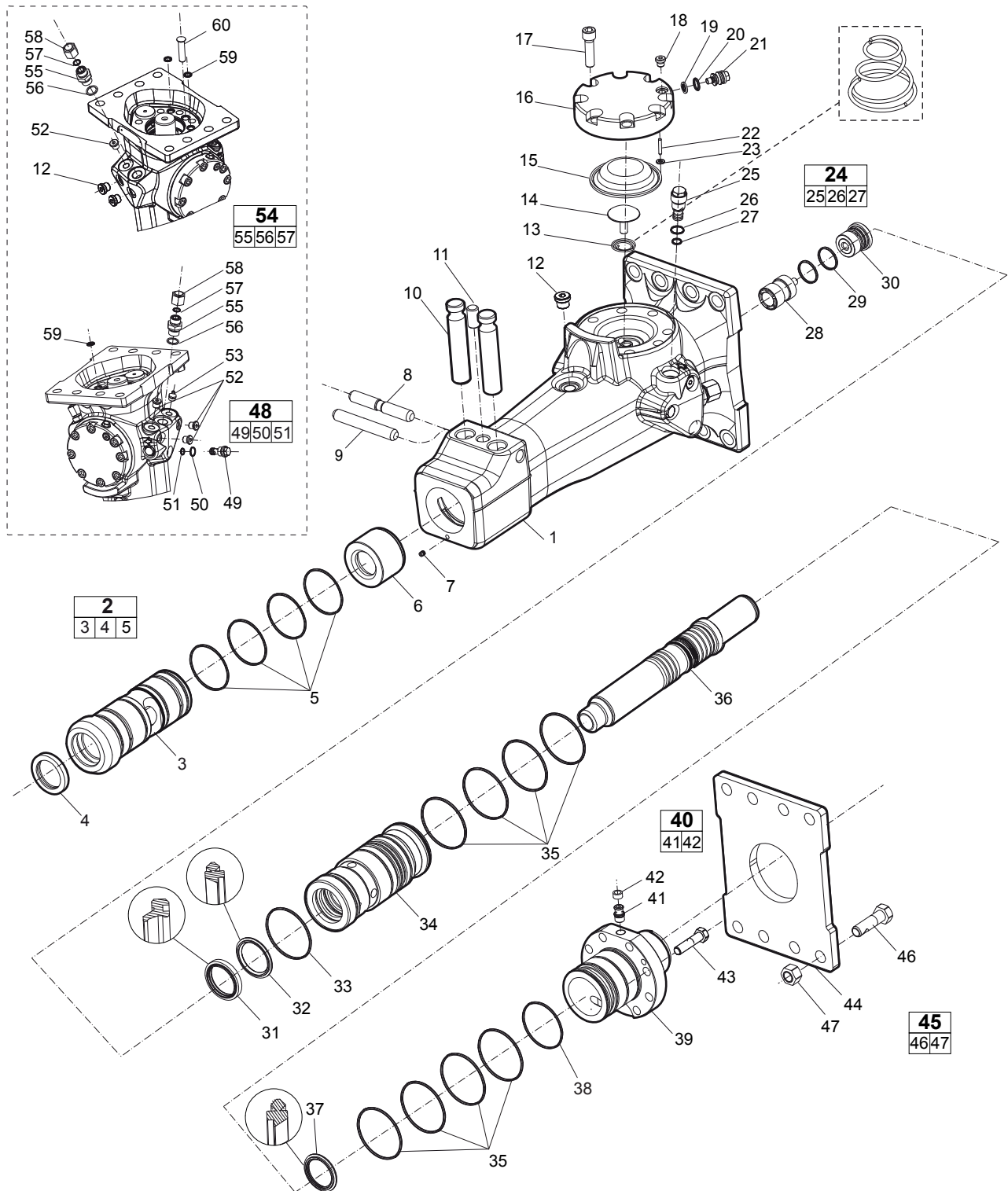
Instructions for use

This spare parts list contains no safety regulations and is merely intended to assist in the ordering of spare parts.

For information about operating, servicing, or repairing, the relevant Safety and operating instructions must be consulted at all costs.

Please observe the safety instructions listed in the relevant Safety and operating instructions!

Spare parts list

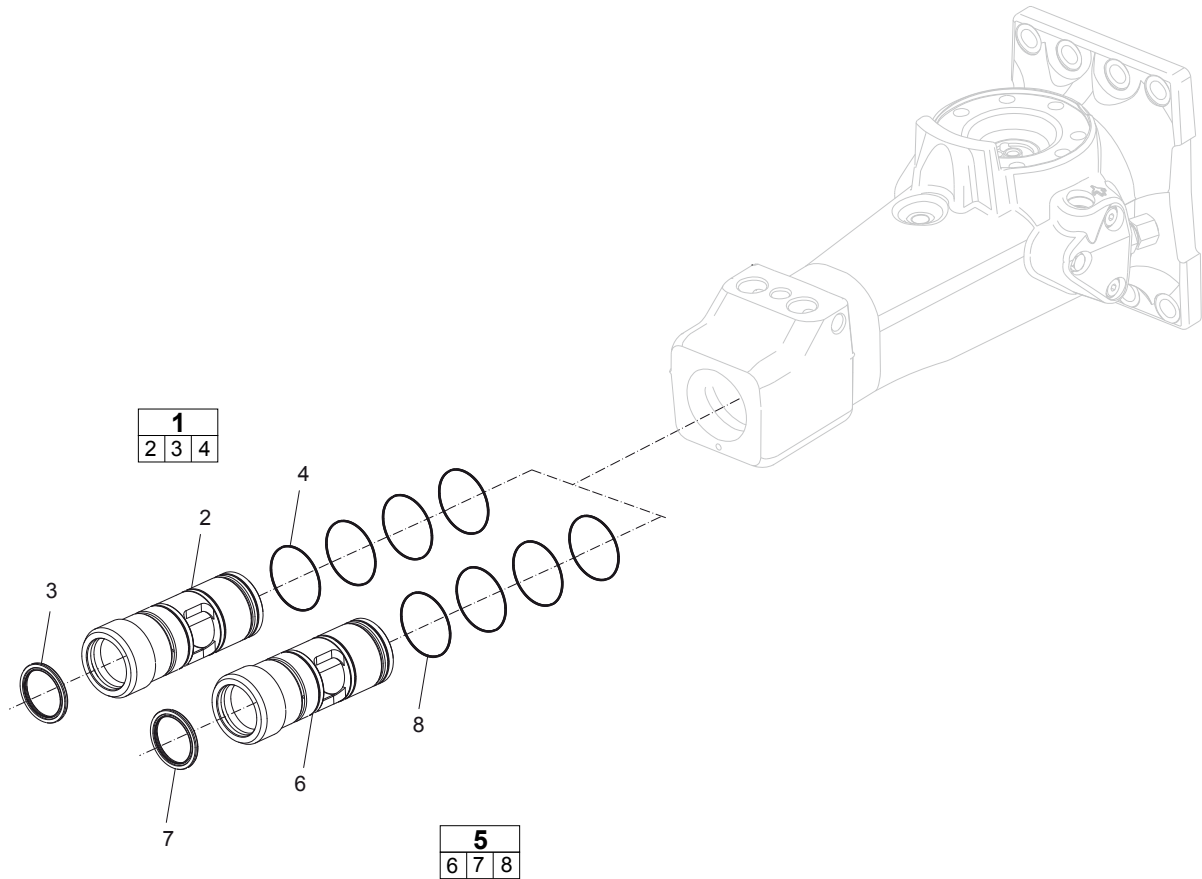


No.	Description	Remark	Quantity	Part number
1	Hammer body		1	-
2(3-5)	Bushing, complete	For more bushings, see chapter "Bushings oversize, complete".	1	3315 3538 80
3	Bushing	Ø70.0 mm Ø2.76 in.	1	-
4	Scraper ring		1	3315 3565 00
5	O-ring	64.77 x 2.62 mm 2.55 x 0.10 in. (90 shore)	4	0663 2102 89
6	Stop ring		1	3315 2985 00
7	Plug		1	0686 1000 10
8	Lock pin		1	3315 2930 00
9	Spring pin, option		1	0108 1691 26
10	Tool retainer		2	3315 3000 00
11	Lock buffer		1	3315 3046 00
12	Plug	VSTI R ¾-ED	12	0686 3718 01
13	Coil spring		1	3315 2933 00
14	Diaphragm support		1	3315 2889 00
15	Diaphragm		1	3315 2382 00
16	Accumulator house		1	3315 2997 00
17	Hexagon socket screw		8	0211 1965 34
18	Plug	VSTI R ½ - ED	1	0686 3718 05
19	Seal ring	8 x 14 x 2.4 mm 0.31 x 0.55 x 0.09 in. SCR	1	3115 3290 02
20	O-ring	13.3 x 2.4 mm 0.52 x 0.09 in. (70 shore)	1	0663 2120 00
21	Charge valve		1	3315 3660 00
22	Parallel pin	D4 x 25 mm	1	0101 4140 00
23	O-ring	7.3 x 2.4 mm 0.29 x 0.09 in. (90 shore)	1	0663 2114 00
24(25-27)	Pressure relief valve, complete		1	3315 3350 00
25	Pressure relief valve		1	-
26	O-ring	15.6 x 1.78 mm 0.61 x 0.07 in. (90 shore)	1	0663 9032 01
27	O-ring	10.82 x 1.78 mm 0.42 x 0.07 in. (90 shore)	1	0663 9054 01
28	Control valve		1	3315 2987 00
29	O-ring	28 x 2.5 mm 1.10 x 0.10 in. (90 shore)	2	0663 2114 89
30	Valve cover		1	3315 3650 00
31	Wiper		1	0665 9099 61
32	Piston rod seal		1	0665 0701 32
33	O-ring	69.5 x 3 mm 2.74 x 0.12 in. (90 shore)	1	0663 2105 76
34	Liner		1	3315 2981 00
35	O-ring	72 x 3 mm 2.83 x 0.12 in. (90 shore)	8	0663 2112 54
36	Piston		1	3315 2983 00
37	Piston rod seal		1	0665 0701 35
38	O-ring	72 x 2 mm 2.83 x 0.08 in. (70 shore)	1	0663 9279 00
39	Back head		1	3315 2982 00
40(41-42)	Check valve, complete		1	3315 2448 81
41	Check valve		1	-
42	Valve rubber		1	3315 2808 00
43	Hexagon head screw	M12 x 50 mm 8.8 fzb	8	0147 1405 03
44	Base plate	Option	1	3315 3226 00

No.	Description	Remark	Quantity	Part number
45(46-47)	Set of eight screws, complete		1	3315 3221 00
46	Screw		8	-
47	Nut	M16	8	-
48(49-51)	Restrictor standard, complete	For more Restrictors, see section "Restrictor, complete".	1	3315 3695 35
49	Restrictor	Ø4.5 mm Ø0.18 in.	1	-
50	O-ring	15.6 x 1.78 mm 0.61 x 0.07 in. (90 shore)	1	0663 9032 01
51	O-ring	10.82 x 1.78 mm 0.42 x 0.07 in. (90 shore)	1	0663 9054 01
52	Plug	VSTI R ¼ - ED	4	0686 6442 07
53	Grease nipple	ISO 7 - R ¼	1	0544 2153 00
54(55-57)	Nipple, complete	¹³ / ₁₆ - 16UN G ¹ / ₂ A There are two "Nipple, complete" on the machine.	1	0570 7000 03
55	Nipple		2	-
56	Seal ring		2	0664 0000 03
57	O-ring	12.42 x 1.78 mm 0.49 x 0.07 in. (90 shore)	2	0663 9055 01
58	Cap		2	0570 7000 19
59	Seal ring	10 x 16 x 2.4 mm 0.39 x 0.63 x 0.09 in. SCR	3	0665 0900 14
60	Plug		1	3315 3050 00

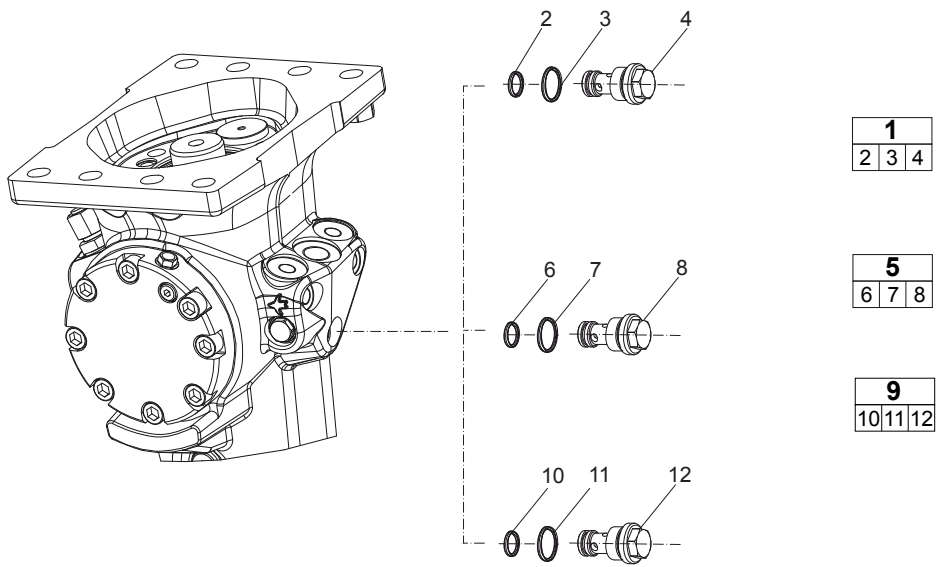
Optional parts

Bushing oversize, complete



No.	Description	Remark	Quantity	Part number
1(2-4)	Bushing oversize, complete		1	3315 3538 60
2	Bushing	Ø71.5 mm Ø2.81 in.	1	-
3	Scraper ring		1	3315 3565 00
4	O-ring	64.77 x 2.62 mm 2.55 x 0.10 in. (90 shore)	4	0663 2102 89
5(6-8)	Bushing oversize, complete		1	3315 3538 63
6	Bushing	Ø73.0 mm Ø2.87 in.	1	-
7	Scraper ring		1	3315 3565 00
8	O-ring	64.77 x 2.62 mm 2.55 x 0.10 in. (90 shore)	4	0663 2102 89

Restrictor, complete



No.	Description	Remark	Quantity	Part number
1(2-4)	Restrictor, complete		1	3315 3695 36
2	O-ring	15.6 x 1.78 mm 0.61 x 0.07 in. (90 shore)	1	0663 9054 01
3	O-ring	10.82 x 1.78 mm 0.43 x 0.07 in. (90 shore)	1	0663 9032 01
4	Restrictor	Ø3.0 mm Ø0.12 in.	1	-
5(6-8)	Restrictor, complete		1	3315 3695 37
6	O-ring	15.6 x 1.78 mm 0.61 x 0.07 in. (90 shore)	1	0663 9054 01
7	O-ring	10.82 x 1.78 mm 0.43 x 0.07 in. (90 shore)	1	0663 9032 01
8	Restrictor	Ø3.3 mm Ø0.13 in.	1	-
9(10-12)	Restrictor, complete		1	3315 3695 38
10	O-ring	15.6 x 1.78 mm 0.61 x 0.07 in. (90 shore)	1	0663 9054 01
11	O-ring	10.82 x 1.78 mm 0.43 x 0.07 in. (90 shore)	1	0663 9032 01
12	Restrictor	Ø3.8 mm Ø0.15 in.	1	-

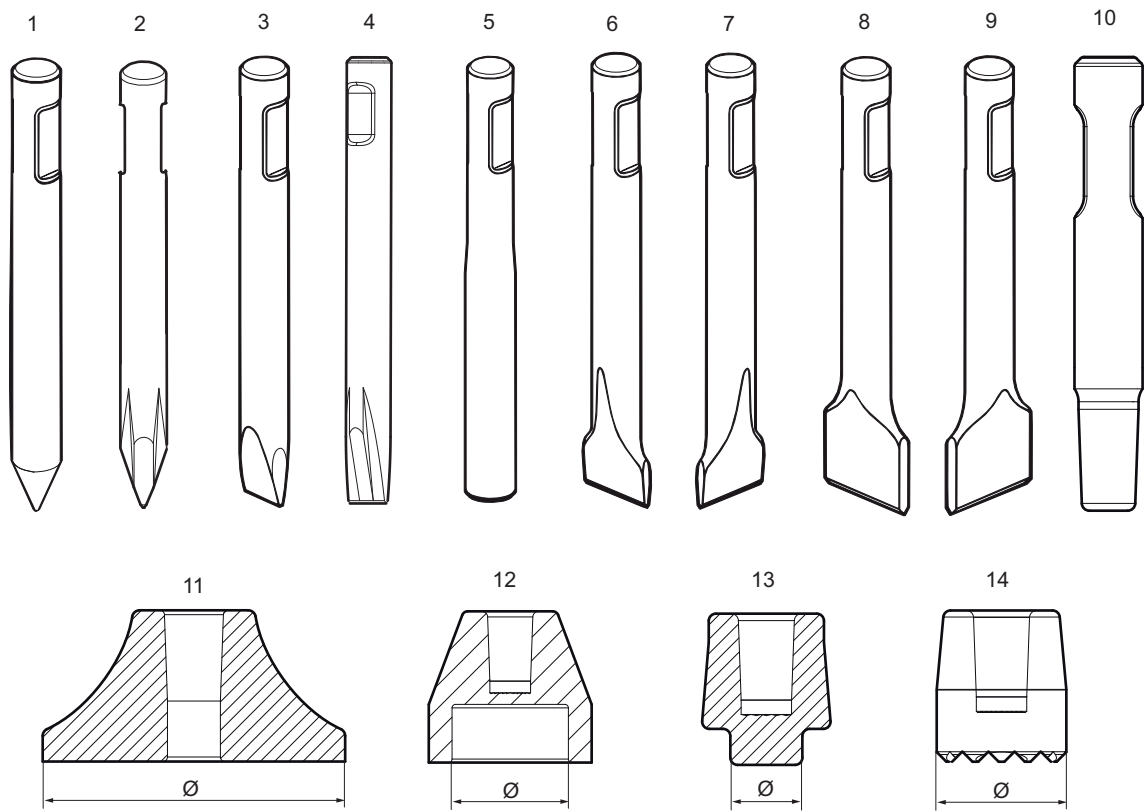
Tightening torque

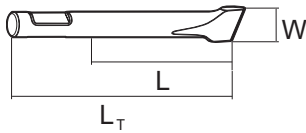
No.	Description	Tightening torque	Remark
12	Plug	80 Nm	LOCTITE® 243™
17	Hexagon socket screw	120 Nm	Molykote®
18	Plug	20 Nm	
21	Charge valve	20 Nm	
25	Pressure relief valve	80 Nm	
41	Check valve	30 Nm	LOCTITE® 243™
43	Hexagon head screw	75 Nm	Molykote®
47	Nut	200 Nm	
49	Restrictor	80 Nm	
52	Plug	30 Nm	LOCTITE® 243™
53	Grease nipple	30 Nm	
55	Nipple	210 Nm	

LOCTITE is a registered trademark of Henkel Corporation. 243 is a trademark of Henkel Corporation.

Molykote is a registered trademark of Dow Corning Corporation.

Working tools





Metric

No.	Description	W (mm)	L (mm)	L _T (mm)	Wt (kg)	Part number
1	Moil point	-	250	450	5.0	3083 3409 08
		-	350	550	6.3	3363 1000 73
2	Moil point (X-profile)	-	250	450	4.7	3363 0982 48
3	Chisel (cross)	45	250	450	6.0	3083 3409 09
		45	350	550	6.5	3363 1000 71
4	Chisel (X-profile)	45	250	450	4.8	3363 0982 49
5	Blunt tool	-	250	450	5.0	3083 3409 35
6	Wide chisel (cross)	80	320	520	6.1	3083 3409 10
7	Wide chisel (parallel)	80	320	520	6.1	3083 3409 11
8	Asphalt cutter (cross)	125	280	480	5.7	3083 3409 12
9	Asphalt cutter (parallel)	125	280	480	5.7	3083 3409 13
10	Shaft	-	-	450	5.2	3315 3700 00
11	Tamping pad (square)	Ø200	-	-	15	3315 3706 00
12	Post driver pad (round)	Ø100	-	-	8.5	3315 3714 00
13	Pile driver pad (round)	Ø50	-	-	3.3	3315 3721 00
14	Bushing pad (round)	Ø90	-	-	4.1	3315 3728 00

Imperial

No.	Description	W (in.)	L (in.)	L _T (in.)	Wt (lb)	Part number
1	Moil point	-	9.84	17.72	11.0	3083 3409 08
		-	13.78	21.65	13.9	3363 1000 73
2	Moil point (X-profile)	-	9.84	17.72	10.4	3363 0982 48
3	Chisel (cross)	1.77	9.84	17.72	13.2	3083 3409 09
		1.77	13.78	21.65	14.3	3363 1000 71
4	Chisel (X-profile)	1.77	9.84	17.72	10.6	3363 0982 49
5	Blunt tool	-	9.84	17.72	11.0	3083 3409 35
6	Wide chisel (cross)	3.15	12.60	20.47	13.4	3083 3409 10
7	Wide chisel (parallel)	3.15	12.60	20.47	13.4	3083 3409 11
8	Asphalt cutter (cross)	4.92	11.02	18.90	12.6	3083 3409 12
9	Asphalt cutter (parallel)	4.92	11.02	18.90	12.6	3083 3409 13
10	Shaft	-	-	17.72	11.5	3315 3700 00
11	Tamping pad (square)	Ø7.87	-	-	33.0	3315 3706 00
12	Post driver pad (round)	Ø3.94	-	-	18.7	3315 3714 00
13	Pile driver pad (round)	Ø1.97	-	-	7.3	3315 3721 00
14	Bushing pad (round)	Ø3.54	-	-	9.0	3315 3728 00

Accessories

Optional equipment

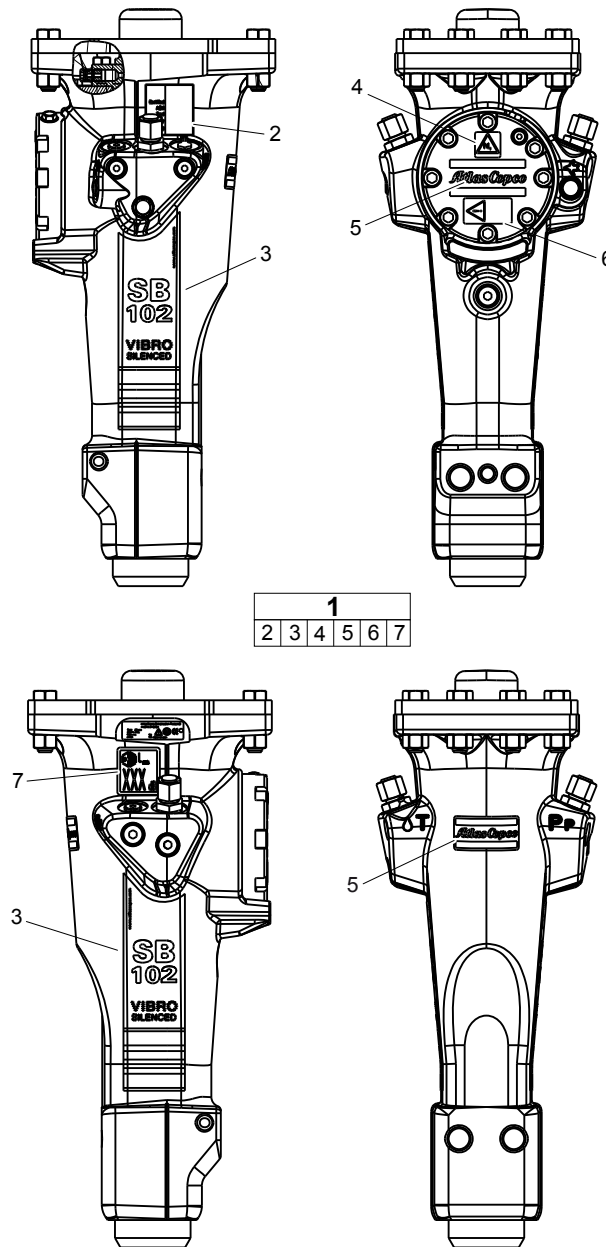
Description	Remark	Quantity	Part number
Grease gun	For manual greasing with cartridge, 400 g (0.88 lb)	1	0909 1071 00
Chisel paste cartridge	400 g x 12 0.88 lb x 12	1	3363 0949 13
ContiLube™ II micro		1	3315 3831 90
Welding kit, universal	For ContiLube™ II micro	1	3315 3867 80
Hose kit, universal	For ContiLube™ II micro	1	3315 3862 80
Chisel paste cartridge	150 g x 12 0.33 lb x 12	1	3363 1064 47
Filling device	For the 150 g (0.33 lb) Chisel paste cartridges, to use in combination with Chisel paste container 15 kg (33 lb)	1	3363 0946 69
Filling adapter	For the 150 g (0.33 lb) Chisel paste cartridges, suitable with the filling device for 15 kg (33 lb) and 45 kg (99 lb)	1	3315 3839 80
Filling device	For the 150 g (0.33 lb) Chisel paste cartridges, to use in combination with Chisel paste container 45 kg (99 lb)	1	3363 0664 11
Chisel paste container	15 kg 33 lb	1	3362 2639 00
Chisel paste container	45 kg 99 lb	1	3362 2632 75
Filling device for accumulator		1	3360 9204 15
Nipple, for charging the accumulator		1	3363 0944 59
Filling hose, for charging the accumulator		1	3361 3298 03
Bushing wear controller		1	3315 3531 00

Hydraulic hoses

Description	Remark	Quantity	Part number
Hose	I.D. 16 (0.63 in.), both ends M26 x 1.5 mm conical seal 24°, length 1,500 mm (59 in.)	2	3360 9957 17
Hose	I.D. 16 (0.63 in.), both ends M26 x 1.5 mm conical seal 24°, length 2,000 mm (79 in.)	2	3362 2351 59
Hose	I.D. 16 (0.63 in.), both ends M26 x 1.5 mm conical seal 24°, length 2,400 mm (94 in.)	2	3363 0833 13
Additional fitting kit	Needed to fit two hoses to the hydraulic breaker	1	3363 0980 18

Kits

Label kit

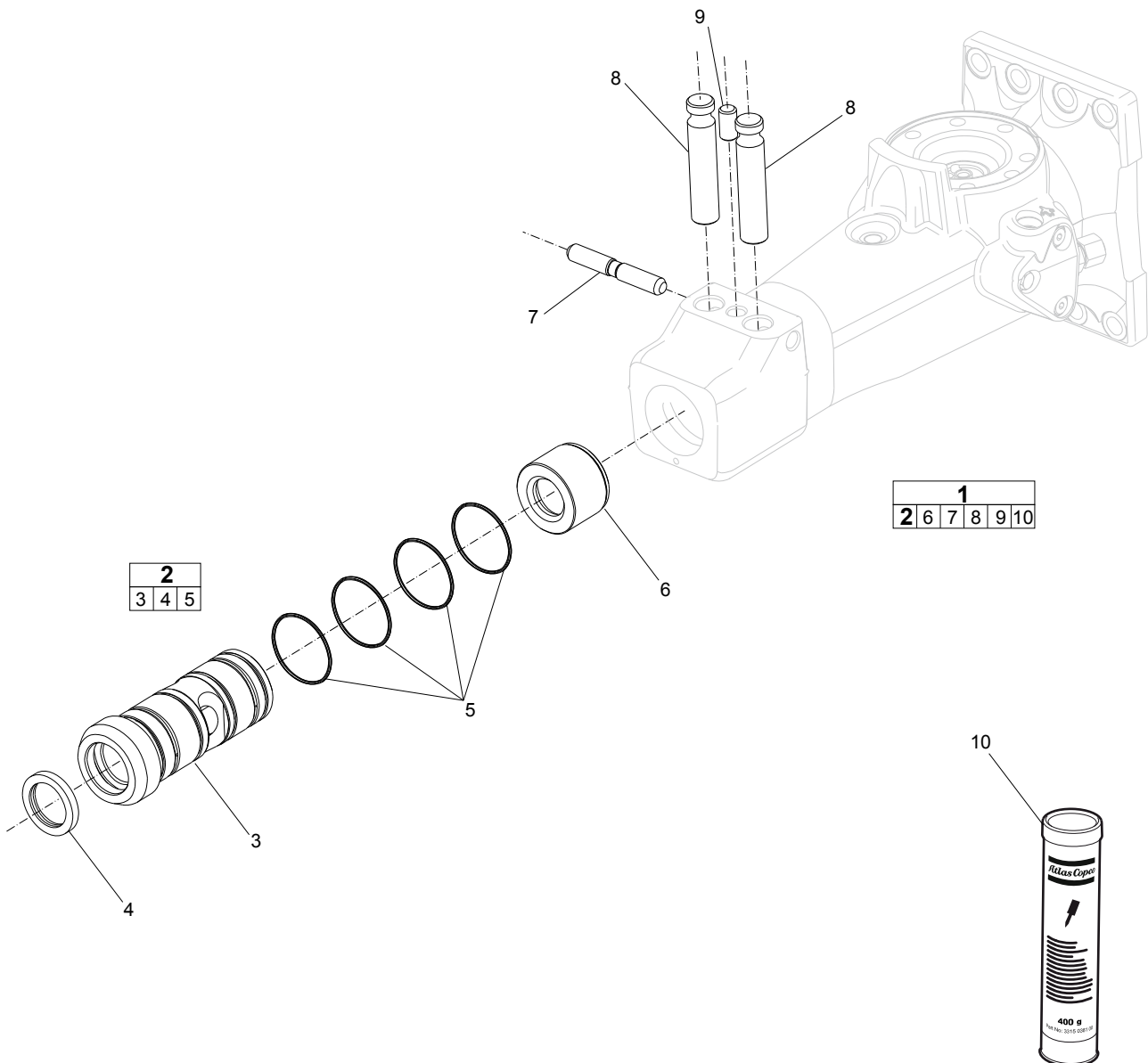


No.	Description	Remark	Quantity	Part number
1(2-7)	Label kit		1	3315 2962 91
2	AEM sign		1	-
3	Product label	"SB 102"	2	-
4	Safety label		1	-
5	Product label	"Atlas Copco"	2	-
6	Safety label		1	-
7	Noise level label		1	-

Seal kit

Description	Remark	Quantity	Part number
Seal kit		1	3315 2962 90
Scraper ring		1	3315 3565 00
O-ring	64.77 x 2.62 mm 2.55 x 0.10 in. (90 shore)	4	0663 2102 89
Seal washer		1	0661 1000 24
O-ring	13.3 x 2.4 mm 0.52 x 0.09 in. (70 shore)	1	0663 2120 00
O-ring	7.3 x 2.4 mm 0.29 x 0.09 in. (90 shore)	1	0663 2114 00
O-ring	15.6 x 1.78 mm 0.61 x 0.07 in. (90 shore)	2	0663 9032 01
O-ring	10.82 x 1.78 mm 0.43 x 0.07 in. (90 shore)	2	0663 9054 01
O-ring	72 x 2 mm 2.83 x 0.08 in. (70 shore)	1	0663 9279 00
Wiper		1	0665 9099 48
Piston rod seal		1	0665 0701 32
O-ring	69.5 x 3 mm 2.74 x 0.12 in. (90 shore)	1	0663 2105 76
O-ring	72 x 3 mm 2.83 x 0.12 in. (90 shore)	8	0663 2112 54
Piston rod seal		1	0665 0701 35
Valve rubber		1	3315 2808 00
Seal ring		2	0664 0000 03
O-ring	12.42 x 1.78 mm 0.50 x 0.07 in. (90 shore)	2	0663 9055 01
Seal ring	10 x 16 x 2.6 mm 0.39 x 0.63 x 0.10 in. SCR	3	0665 0900 14
Plug		1	3315 3050 00
Seal ring		1	3315 3290 02
O-ring	28 x 2.5 mm 1.10 x 0.10 in. (90 shore)	2	0663 2114 89

Lower hammer part kit



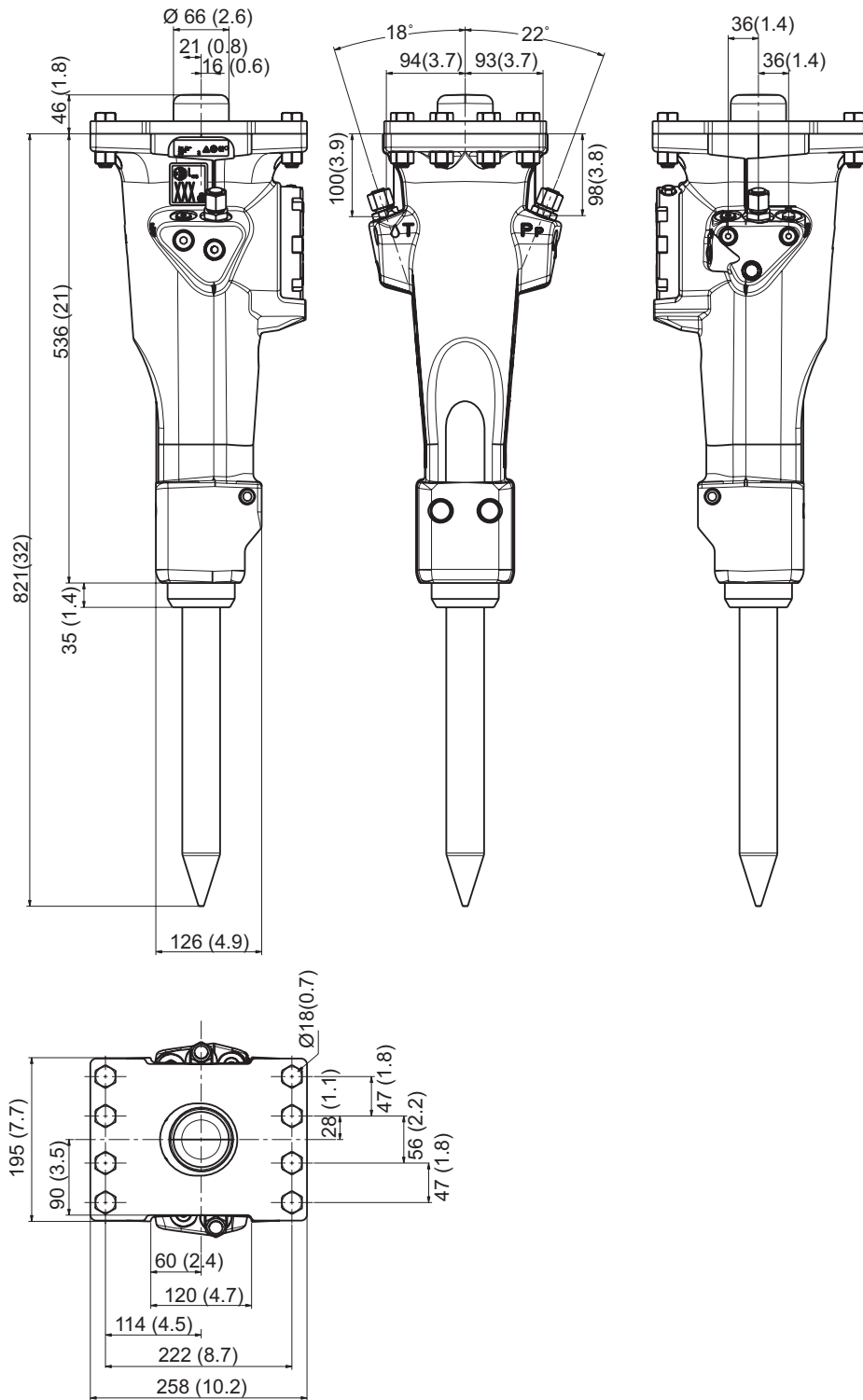
No.	Description	Remark	Quantity	Part number
1(2,6-10)	Lower hammer part kit		1	3315 3521 20
2(3-5)	Bushing, complete		1	3315 3538 80
3	Bushing		1	-
4	Scraper ring		1	3315 3565 00
5	O-ring	64.77 x 2.62 mm 2.55 x 0.10 in. (90 shore)	4	0663 2102 89
6	Stop ring		1	3315 2985 00
7	Lock pin		1	3315 2930 00
8	Tool retainer		2	3315 3000 00
9	Lock buffer		1	3315 3046 00
10	Chisel paste cartridge	400 g 0.88 lb	1	-

Accumulator repair kit

Description	Remark	Quantity	Part number
Accumulator repair kit		1	3315 2997 90
Coil spring		1	3315 2933 00
Diaphragm support		1	3315 2889 00
Diaphragm		1	3315 2382 00
Seal ring	8 x 14 x 2.4 mm 0.31 x 0.55 x 0.09 in. SCR	1	3115 3290 02
O-ring	13.3 x 2.4 mm 0.52 x 0.09 in. (70 shore)	1	0663 2120 00
Charge valve		1	3315 3660 00
Parallel pin	D4 x 25 mm	1	0101 4140 00
O-ring	7.3 x 2.4 mm 0.29 x 0.09 in. (90 shore)	1	0663 2114 00
Hexagon socket screw	M12 x 45 mm 12.9	8	0211 1965 34

Dimensions

mm (inch)



Any unauthorized use or copying of the contents or any part thereof is prohibited.
This applies in particular to trademarks, model denominations, part numbers, and
drawings.

© 2013 Atlas Copco Construction Tools AB | No. 9800 0642 01h | 2013-04-16

Atlas Copco

www.atlascopco.com