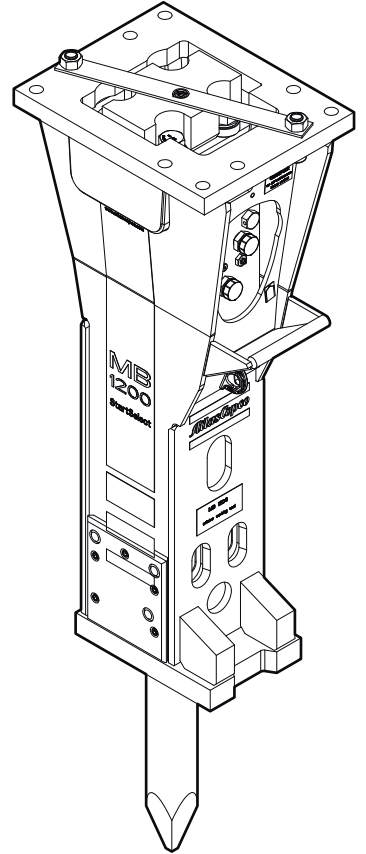


Spare parts list Hydraulic breakers



Contents

General note.....	5
Spare parts list.....	6
Hydraulic breaker MB 1200 High thermal load.....	6
Percussion unit part 1: cylinder cover.....	8
Percussion unit part 2: cylinder.....	10
Percussion unit part 3: lower breaker part.....	12
StartSelect - AutoStart or AutoStop.....	14
Tightening torques.....	16
Working tools.....	17
MB 1200.....	17
Accessories.....	18
Hydraulic hoses.....	18
Optional equipment.....	18
Kits.....	19
Label kit MB 1200.....	19
Seal kit.....	20
Tensioning bolt kit.....	20
Lower breaker part kit.....	20
Dimensions.....	21

General note

This spare parts list applies to the following:

Part number	Description
3363 0869 71	Hydraulic breaker MB 1200 High thermal load

Use only authorized parts. Any damage or malfunction caused by the use of unauthorized parts is not covered by Warranty or Product Liability. Any unauthorized use or copying of the contents or any part thereof is prohibited. This applies in particular to trademarks, model denominations, part numbers, and drawings.

Instructions for use

This spare parts list contains no safety regulations and is merely intended to assist in the ordering of spare parts.

For information on operating, servicing, or repairing, the relevant Safety and operating instructions must be consulted at all costs.

Please observe the safety instructions listed in the relevant Safety and operating instructions!

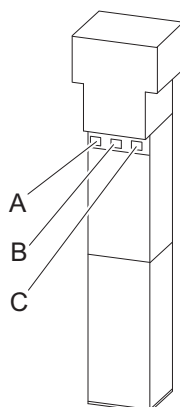
Instructions of ordering

It is essential to indicate the serial number of the hydraulic attachment when ordering spare parts!

Please note the full identification number of your hydraulic attachment. This code can be found on the cylinder.

Determine the quantity of individual parts which are required and need to be ordered. The order must indicate the following details:

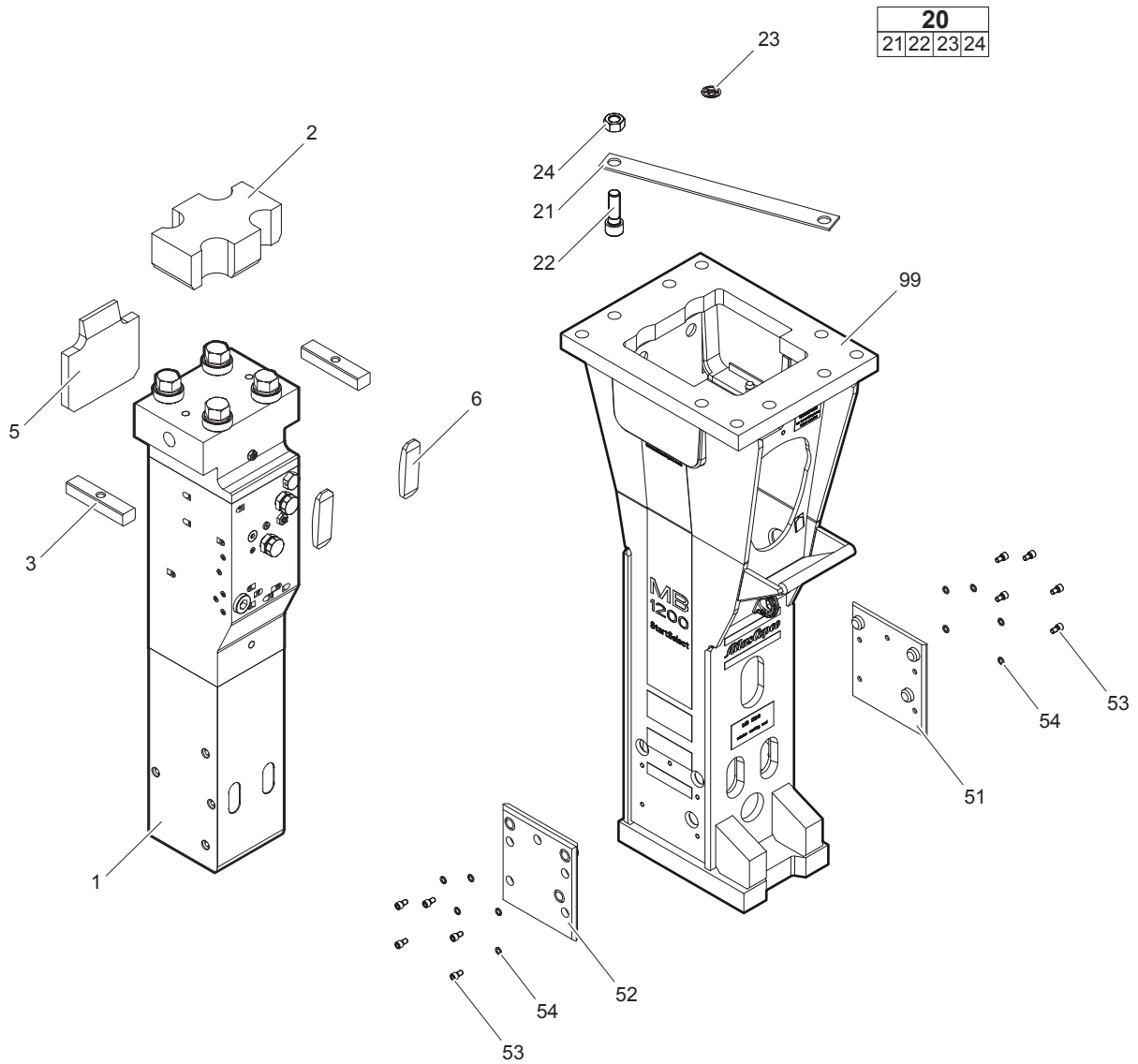
- full identification code of the hydraulic attachment
- required quantity
- part number
- description



- A. Cylinder number
- B. Type
- C. Serial number

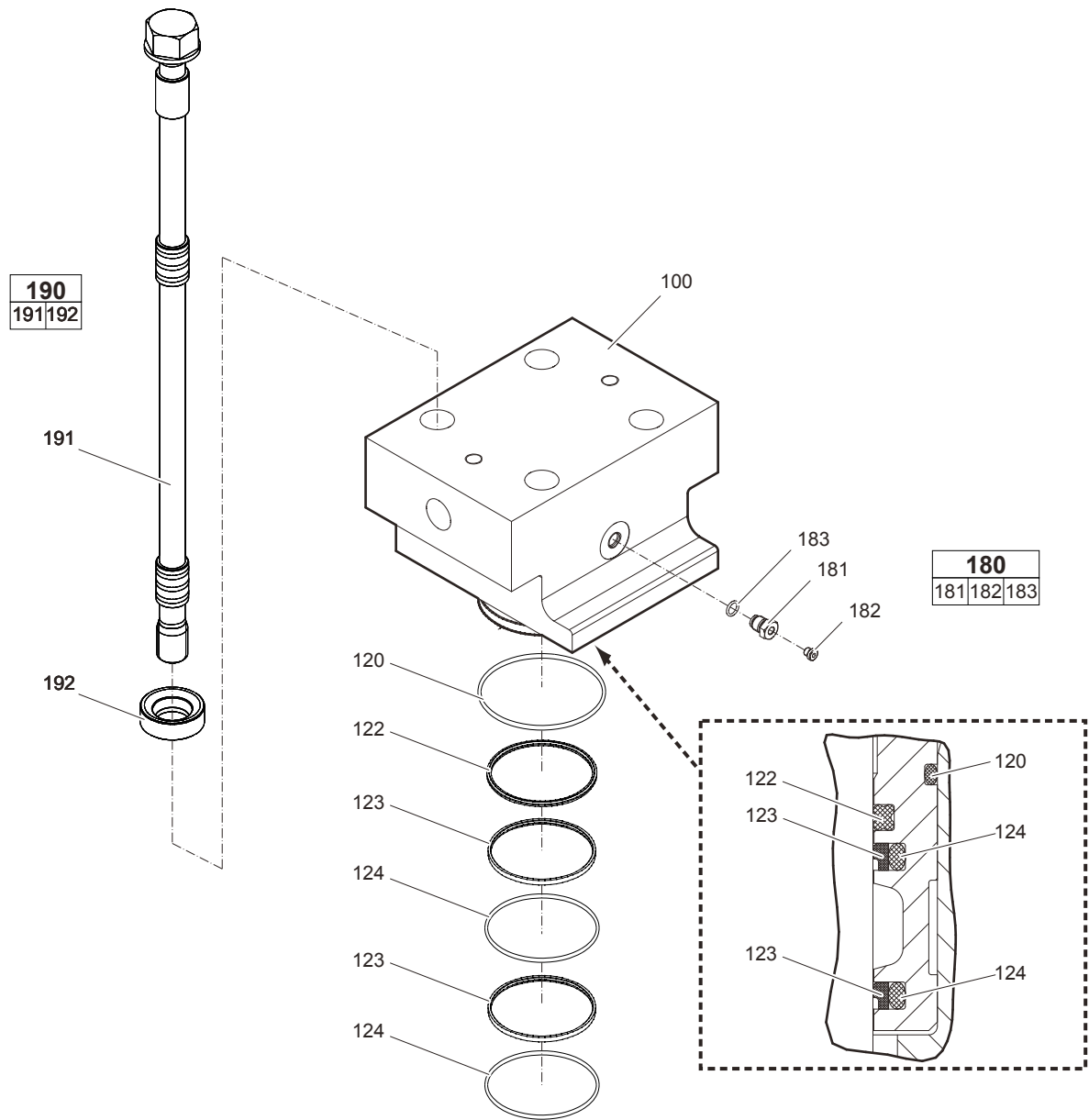
Spare parts list

Hydraulic breaker MB 1200 High thermal load



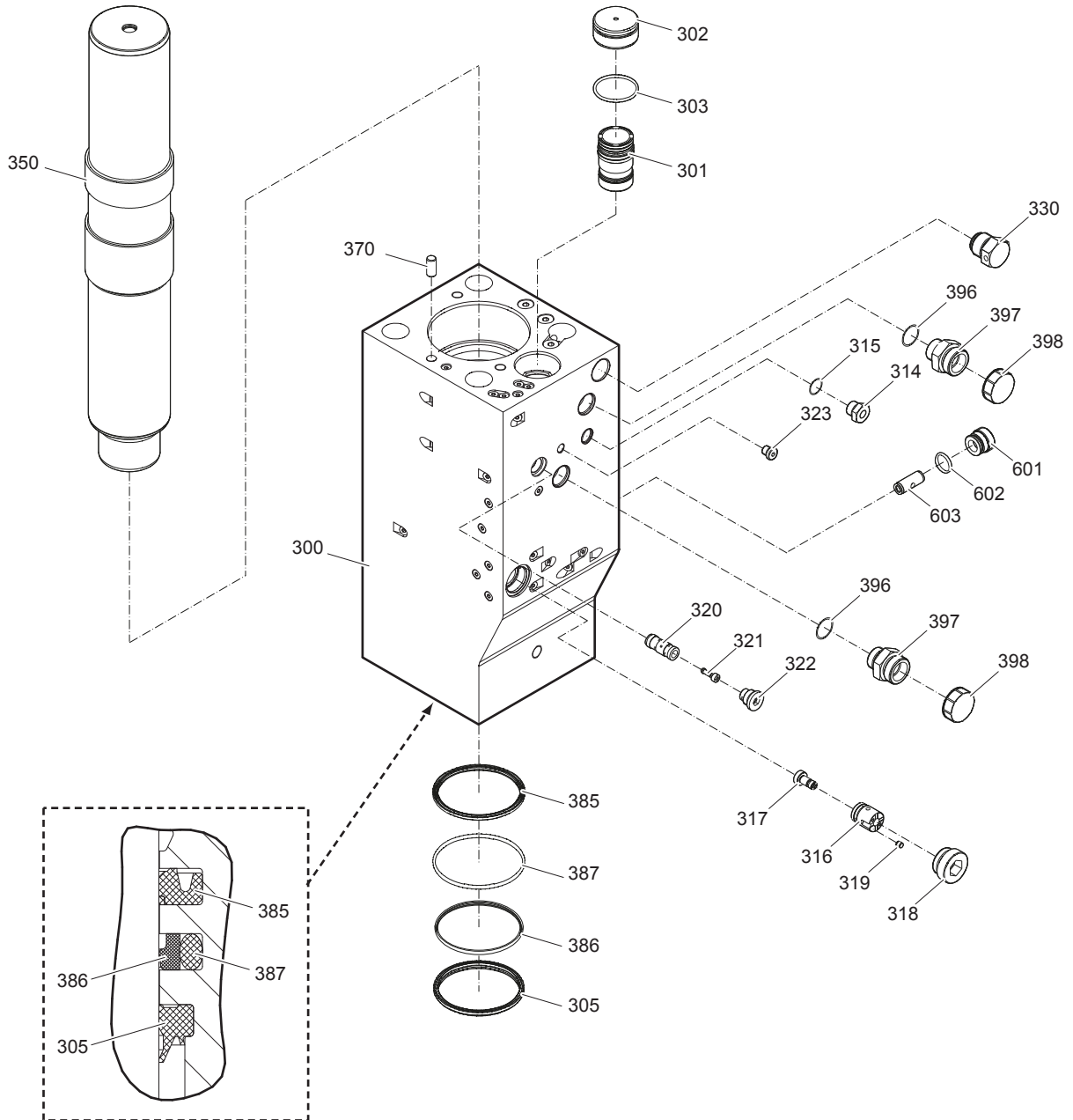
No.	Description	Remark	Quantity	Part number
1	Percussion unit	see separate chapter	1	-
2	Elastic pad		1	3363 0339 57
3	Shock absorber		2	3361 8476 85
5	Guide plate		1	3363 0679 19
6	Guide plate		2	3363 0679 21
20(21-24)	Transport safety device complete		1	3363 0834 16
21	Transport safety device		1	-
22	Allen screw		2	3360 0268 83
23	Label transport safety device		1	3363 0918 72
24	Nut		2	3360 1032 54
51	Plate		1	3363 1119 78
52	Plate		1	3363 1119 79
53	Allen screw		10	3362 3284 80
54	Pair of lock washers		10	3361 8505 96
99	Breaker box		1	3363 1119 77

Percussion unit part 1: cylinder cover



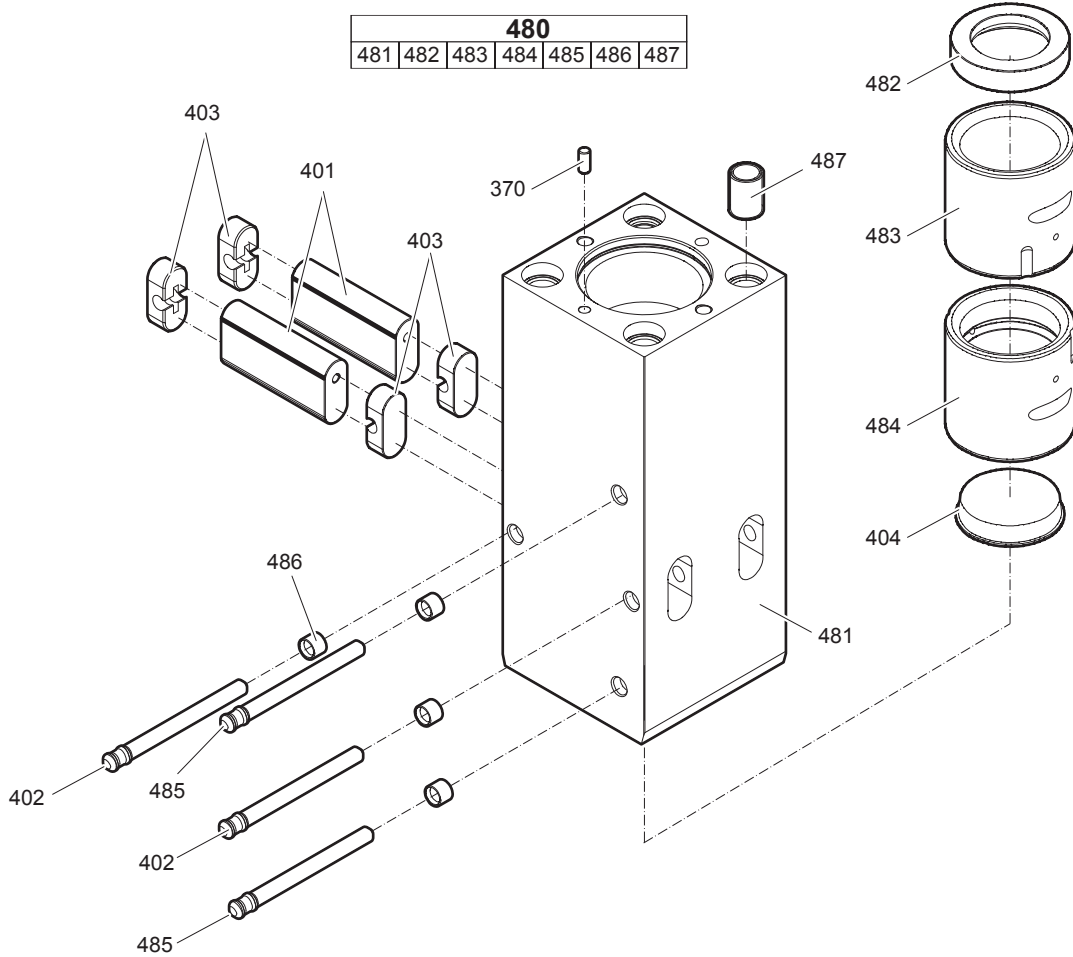
No.	Description	Remark	Quantity	Part number
100	Cylinder cover		1	3363 0337 53
120	O-ring		1	3363 0666 53
122	Seal		1	3363 0666 54
123	Seal		2	3363 0340 29
124	O-ring		2	3363 0340 33
180(181-183)	Filling valve complete		1	3363 0872 86
181	Filling valve		1	-
182	Threaded plug		1	3360 4784 26
183	O-ring		1	3360 1751 25
190(191-192)	Tensioning bolt complete		4	3363 0879 08
191	Tensioning bolt		1	3363 0887 03
192	Washer		1	3363 0936 47

Percussion unit part 2: cylinder



No.	Description	Remark	Quantity	Part number
300	Cylinder	with no. 601 - 603	1	3363 0857 75
301	Main control valve		1	3363 0337 51
302	Cover		1	3363 0333 33
303	O-ring		1	3363 0342 50
305	Wiper		1	3363 0666 56
314	Connecting screw		1	3361 8546 57
315	O-ring		1	3360 4781 71
316	Valve bushing	AutoControl	1	3363 0678 03
317	Valve piston	AutoControl	1	3363 0678 05
318	Threaded plug		1	3363 0695 01
319	Pin	AutoControl	1	3363 0661 97
320	Valve bushing	AutoControl	1	3363 0330 59
321	Valve piston	AutoControl	1	3363 1053 05
322	Threaded plug		1	3363 0337 49
323	Threaded plug		1	3363 0669 63
330	Non-return valve		1	3361 8545 11
350	Percussion piston		1	3363 0862 79
370	Lock pin		1	3360 1067 84
385	Seal		1	3363 0666 55
386	Seal		1	3363 0340 30
387	O-ring		1	3360 9921 94
396	O-ring		2	3360 3145 51
397	Fitting	with no. 396	2	3360 9956 65
398	Protective cap		2	3361 3534 88
601	Plug		1	3363 0825 93
602	O-ring		1	3363 0832 45
603	Valve	StartSelect	1	3363 0825 05

Percussion unit part 3: lower breaker part



No.	Description	Remark	Quantity	Part number
370	Lock pin		1	3360 1067 84
401	Retainer bar		2	3360 9930 29
402	Bolt		2	3362 2618 50
403	Plug		4	3362 2629 25
404	Protective cap		1	3363 0317 15
480(481-487)	Lower breaker part complete	Note: When ordering a lower breaker part for DustProtector version it is imperative to order additionally the base for wiper (no. 18) and the wiper (no. 19).	1	3363 0895 05
481	Lower breaker part		1	-
482	Impact ring		1	3363 0690 73
483	Wear bush		1	3363 0693 53
484	Wear bush	steel bronze see chapter <i>Optional parts</i>	1	3363 0886 69
485	Bolt		2	3362 2618 50
486	Locking bush		4	3361 8543 63
487	Threaded insert		4	3363 0317 74

No.	Description	Remark	Quantity	Part number
601	Plug		1	3363 0825 93
602	O-ring		1	3363 0832 45
603	Valve	StartSelect	1	3363 0825 05

I = AutoStop setting

II = AutoStart setting (standard setting on delivery)

A. Port bore in cylinder

B. Wall of breaker box

C. Plug of breaker box

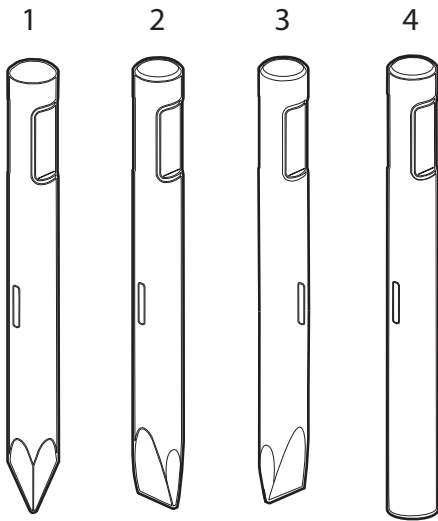
D. M 10 thread (both ends) for mounting

The position of the StartSelect unit is shown on the percussion unit illustrations.

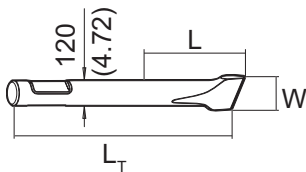
Tightening torques

No.	Description	Tightening torque	Remark
22	Allen screw	240 Nm	Allen key size 22
24	Nut	240 Nm	Jaw spanner size 46
53	Allen screw	85 Nm	Allen key size 10
181	Filling valve	130 Nm	Socket spanner size 22
182	Threaded plug	20 Nm	Allen key size 5
191	Tensioning bolt		Torque wrench or Power wrench size 55 1. Pretighten the tensioning bolts to 500 Nm, proceeding in a crosswise fashion, 2. then tighten each tensioning bolt through 120° (2 sides of hexagonal head) in a crosswise fashion, 3. finally tighten each tensioning bolt again through 120° (2 sides of hexagonal head) in a crosswise fashion.
314	Threaded plug	300 Nm	Allen key size 22
318	Threaded plug	350 Nm	Allen key size 24
322	Threaded plug	100 Nm	Allen key size 12
330	Non-return valve	200 Nm	Socket spanner size 41
601	Plug	200 Nm	Allen key size 17

Working tools



MB 1200



Metric

No.	Description	Remark	W (mm)	L (mm)	L _T (mm)	Wt (kg)	Part number
1	Moil point	ClassicLine		605	1150	90.0	3363 0827 87
2	Chisel (cross)	ClassicLine	120	605	1150	93.0	3363 0829 43
3	Chisel (parallel)	ClassicLine	120	605	1150	93.0	3363 0972 52
4	Blunt tool	ClassicLine		605	1150	99.0	3363 0829 45

Imperial

No.	Description	Remark	W (in.)	L (in.)	L _T (in.)	Wt (lb)	Part number
1	Moil point	ClassicLine		23.82	45.28	198.4	3363 0827 87
2	Chisel (cross)	ClassicLine	4.72	23.82	45.28	205.7	3363 0829 43
3	Chisel (parallel)	ClassicLine	4.72	23.82	45.28	205.7	3363 0972 52
4	Blunt tool	ClassicLine		23.82	45.28	217.2	3363 0829 45

Accessories

Hydraulic hoses

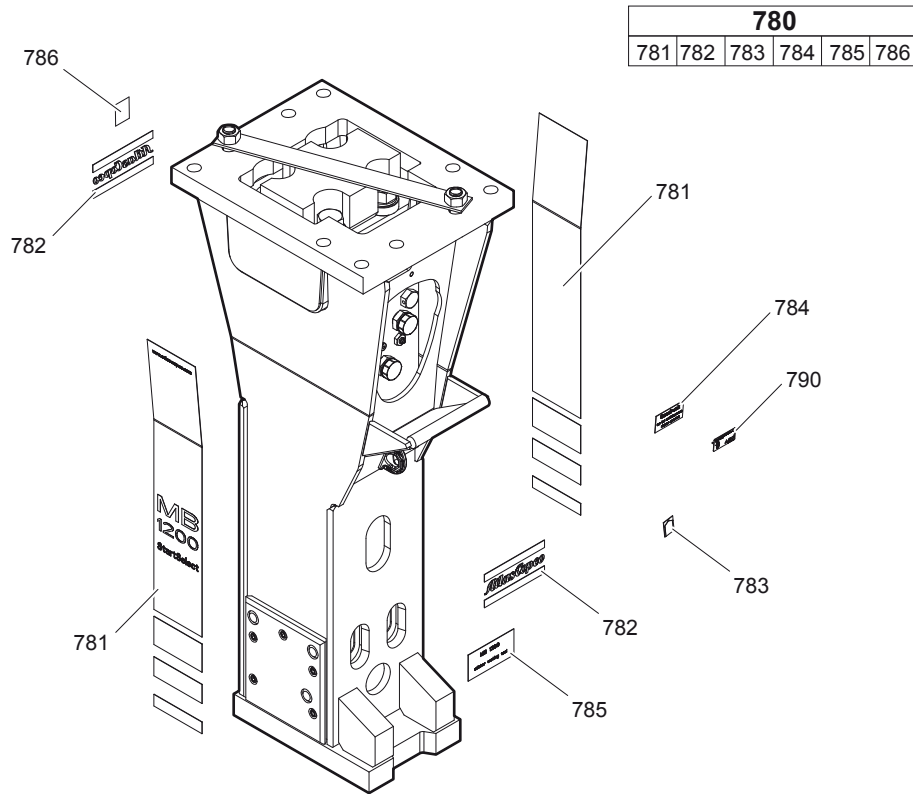
Description	Remark	Quantity	Part number
Hose	I.D. 25 (1"), both ends M 42x2 conical seal 24°, length 2300 mm (91 in.)	2	3360 9923 40
Hose	I.D. 25 (1"), both ends M 42x2 conical seal 24°, length 2800 mm (110 in.)	2	3361 8538 59

Optional equipment

Description	Remark	Quantity	Part number
Chisel paste for ContiLube® II	12 x 500 g (1.1 lbs)	1	3363 0912 00
Grease gun for cartridge ContiLube® II		1	3363 0345 67
Grease nipple		1	3360 4337 74
Service box no. I with nitrogen cylinder	2 l 0.4 gal (0.53 US gal)	1	3363 0898 44
Service box no. III without nitrogen cylinder		1	3363 0949 40
Test gauge lower wear bush		1	3363 0682 55
Inside callipers upper wear bush		1	3363 0949 52
Adapter plate matching the carrier Consult the Atlas Copco Customer Center/Dealer in your area.		1	-
Base plate with threaded inserts		1	3363 0997 99
Bolt kit		1	3363 0873 03
Base plate through borings		1	3363 1006 97
Bolt kit		1	3363 0945 75
Allen key	22 mm for bolt kit	1	3360 2094 45
Adapter kit for underwater applications		1	3363 0905 31
Piston retainer		1	3363 0929 77

Kits

Label kit MB 1200



No.	Description	Remark	Quantity	Part number
780(781-786)	Label kit MB 1200		1	3363 1119 70
781	Product label	"MB 1200"	2	-
782	Product label	"Atlas Copco"	2	-
783	Lubricating symbol		1	-
784	Label gas pressure		1	-
785	Label working tools		1	-
786	Sound power label		1	-
790	Name plate	Consult the Atlas Copco Customer Center/Dealer in your area.	1	-

Seal kit

No.	Description	Remark	Quantity	Part number
	Seal kit		1	3363 0668 90
120	O-ring		1	3363 0666 53
122	Seal		1	3363 0666 54
123	Seal		2	3363 0340 29
124	O-ring		2	3363 0340 33
182	Threaded plug		1	3360 4784 26
183	O-ring		1	3360 1751 25
303	O-ring		1	3363 0342 50
305	Wiper		1	3363 0666 56
315	O-ring		1	3360 4781 71
385	Seal		1	3363 0666 55
386	Seal		1	3363 0340 30
387	O-ring		1	3360 9921 94
396	O-ring		2	3360 3145 51

Tensioning bolt kit

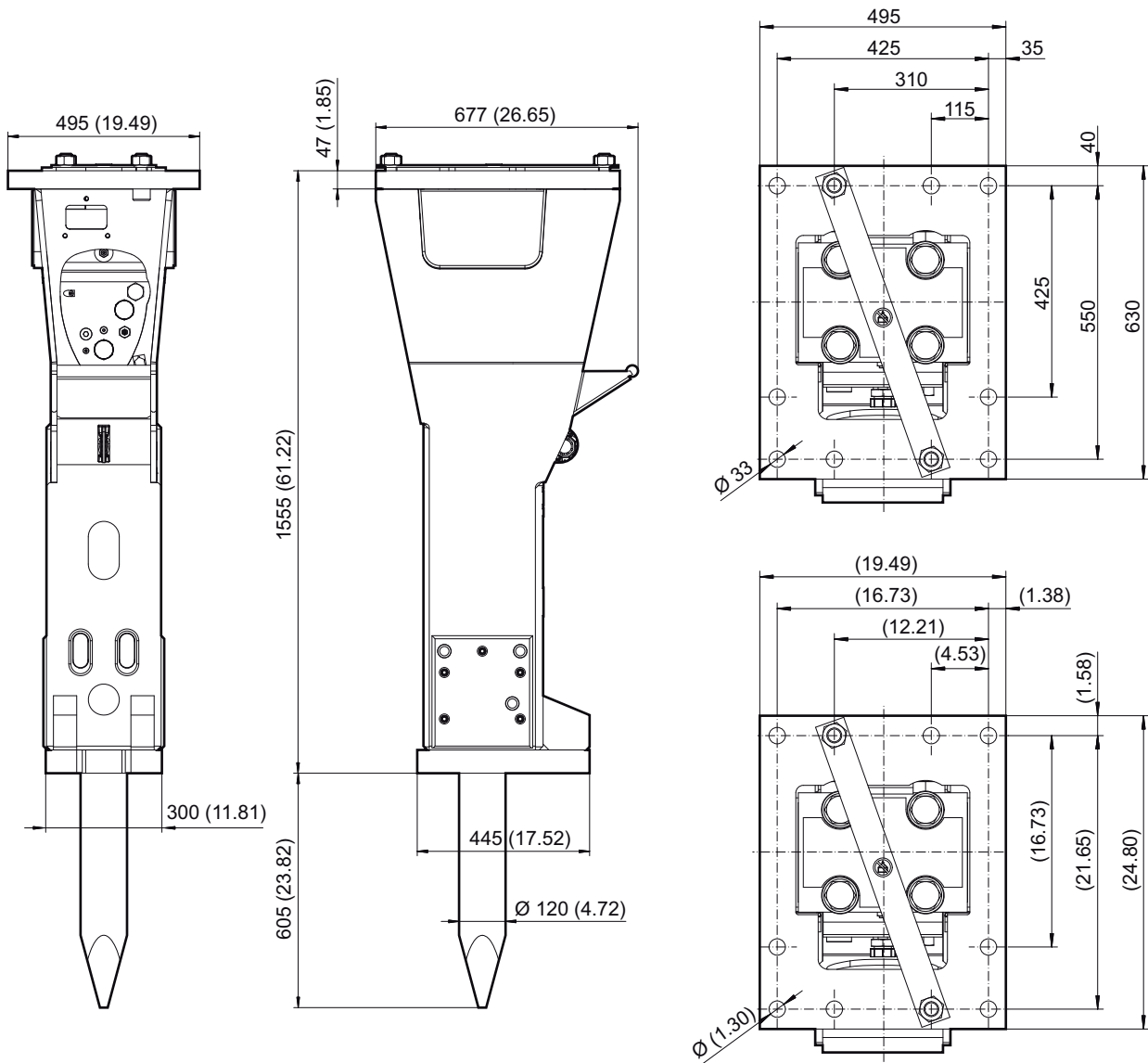
No.	Description	Remark	Quantity	Part number
	Tensioning bolt kit		1	3363 0943 49
191	Tensioning bolt		2	3363 0887 03
192	Washer		2	3363 0936 47
487	Threaded insert		2	3363 0317 74
	Anti Seize 120 g		1	3363 0943 00

Lower breaker part kit

No.	Description	Remark	Quantity	Part number
	Lower breaker part kit		1	3363 0943 69
401	Retainer bar		2	3360 9930 29
402	Bolt		2	3362 2618 50
403	Plug		4	3362 2629 25
482	Impact ring		1	3363 0690 73
483	Wear bush		1	3363 0693 53
484	Wear bush	steel	1	3363 0886 69
485	Bolt		2	3362 2618 50
486	Locking bush		4	3361 8543 63
	Chisel paste		1	3315 0381 00
	Test gauge		1	3363 0682 55

Dimensions

mm (inch)





Any unauthorized use or copying of the contents or any part thereof is prohibited.
This applies in particular to trademarks, model denominations, part numbers, and drawings.

© 2013 Atlas Copco Construction Tools GmbH | No. 3390 7333 01 | 2013-04-18

www.atlascopco.com