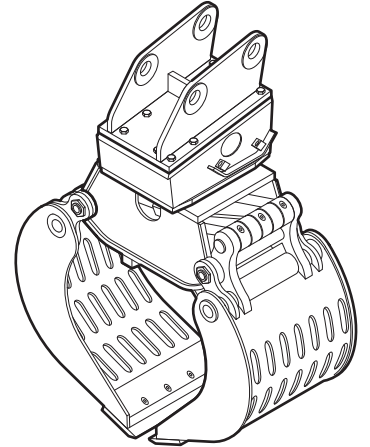


Spare parts list

Multi grapple

| | Valid from serial number |
|---------|--------------------------|
| MG 2300 | 150 |



Contents

| | |
|--------------------------------------|----|
| General information | 5 |
| Spare parts list | 6 |
| Multi grapple | 6 |
| Hydraulic cylinder, left-hand | 8 |
| Hydraulic cylinder, right-hand | 10 |
| Rotary transmission | 12 |
| Tightening torques | 14 |
| Accessories | 15 |
| Hydraulic hoses | 15 |
| Optional equipment | 15 |
| Kits | 16 |
| Label kit | 16 |
| Blade kit | 16 |
| Seal kit (Hydraulic motor) | 16 |
| Seal kit (Hydraulic cylinder) | 16 |
| Seal kit (Rotary transmission) | 16 |
| Dimensions | 17 |

General information

This spare parts list applies to the following:

| Part number | Description |
|--------------|-----------------------|
| 3363 1124 62 | Multi grapple MG 2300 |

Use only authorized parts. Any damage or malfunction caused by the use of unauthorized parts is not covered by Warranty or Product Liability. Any unauthorized use or copying of the contents or any part thereof is prohibited. This applies in particular to trademarks, model denominations, part numbers, and drawings.

Instructions for use

This spare parts list contains no safety regulations and is merely intended to assist in the ordering of spare parts.

For information about operating, servicing, or repairing, the relevant Safety and operating instructions must be consulted at all costs.

Please observe the safety instructions listed in the relevant Safety and operating instructions!

Instructions of ordering

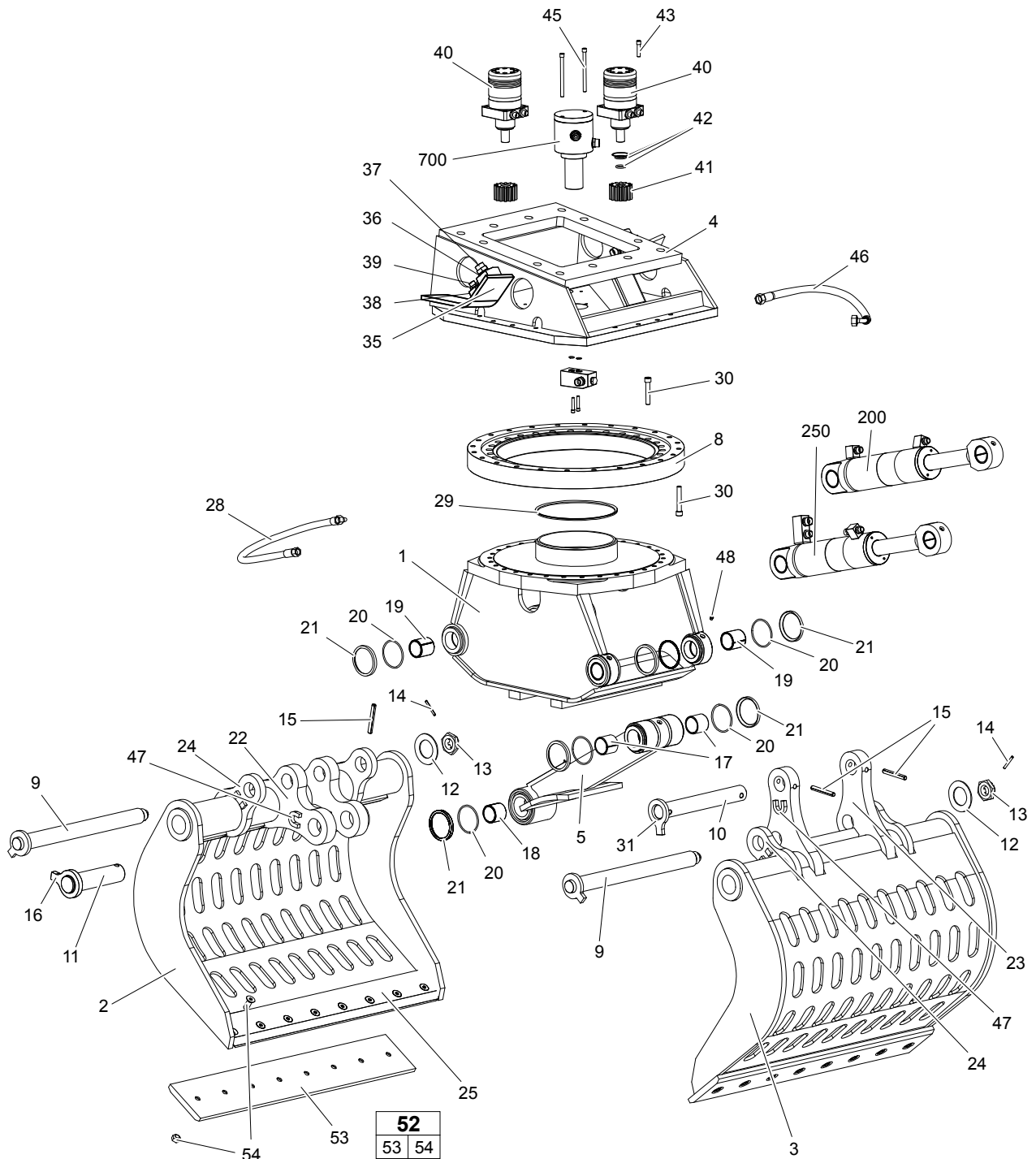
It is essential to indicate the serial number of the hydraulic attachment when ordering spare parts!

Determine the quantity of individual parts which are required and need to be ordered. The order must indicate the following details:

- full identification code of the hydraulic attachment
- required quantity
- part number
- description

Spare parts list

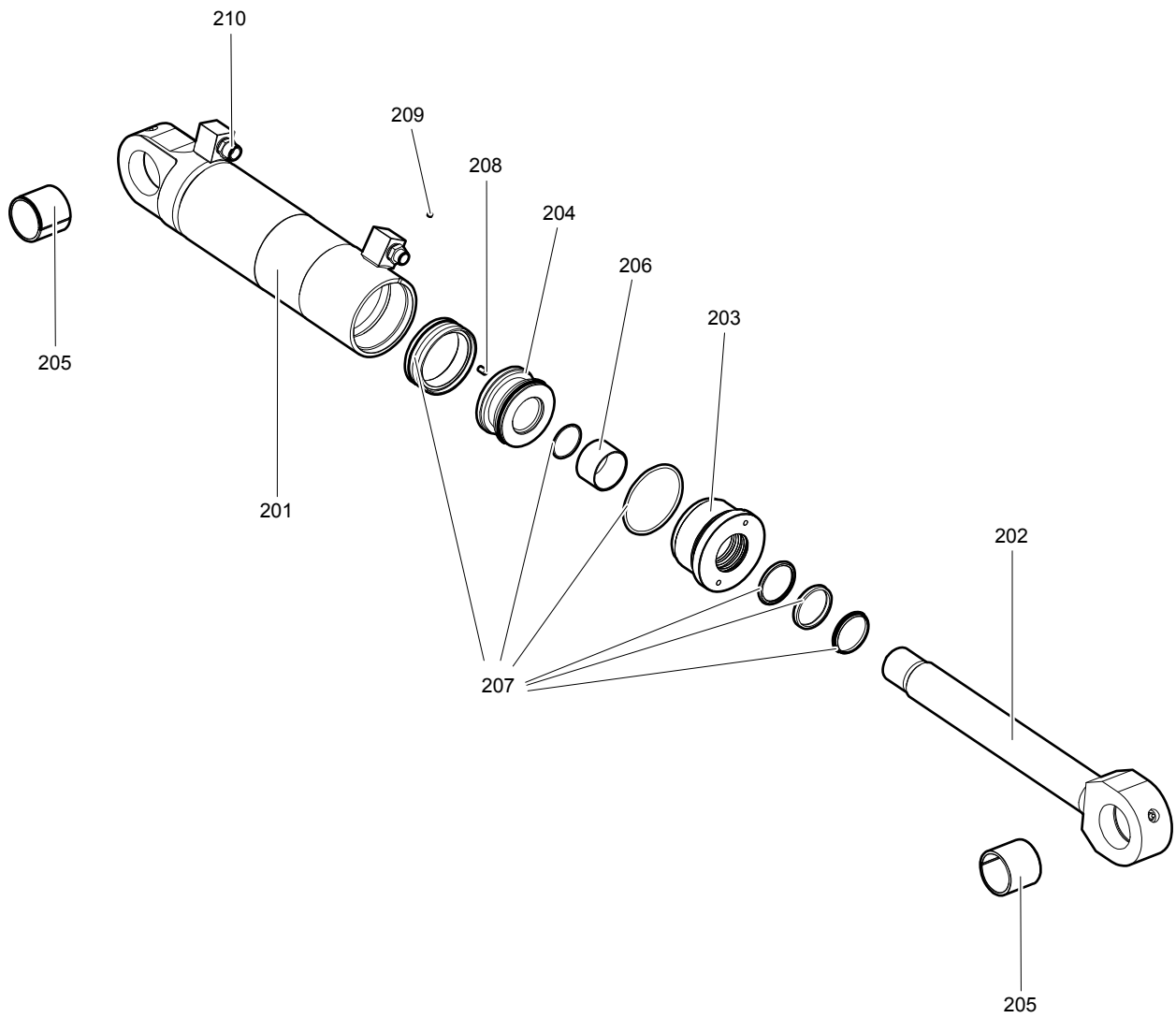
Multi grapple



| No. | Description | Remark | Quantity | Part number |
|------------------|---------------------|-------------------------|----------|--------------|
| 1 | Housing | | 1 | - |
| 2 | Grapple leaf, left | | 1 | 3363 1128 48 |
| 3 | Grapple leaf, right | | 1 | 3363 1128 49 |
| 4 | Upper part | | 1 | - |
| 5 | Linkage | | 1 | 3363 1128 51 |
| 8 | Live ring | | 1 | 3363 1128 54 |
| 9 | Bolt | | 2 | 3363 1128 55 |
| 10 | Bolt | | 1 | 3363 1128 56 |
| 11 | Bolt | | 1 | 3363 1128 57 |
| 12 | Spring ring | | 2 | 3363 1128 58 |
| 13 | Castle nut | | 2 | 3363 1128 59 |
| 14 | Spring dowel sleeve | | 2 | 3363 1128 60 |
| 15 | Spring dowel sleeve | | 3 | 3363 1128 61 |
| 16 | Lock plate | | 2 | 3363 1128 62 |
| 17 | Bearing bush | | 2 | 3363 1128 63 |
| 18 | Bearing bush | | 2 | 3363 1128 64 |
| 19 | Bearing bush | | 4 | 3363 1128 65 |
| 20 | O-ring | | 12 | 3363 1128 66 |
| 21 | Metal seal | | 12 | 3363 1128 67 |
| 22 | Web plate | | 2 | 3363 1128 68 |
| 23 | Web plate | | 2 | 3363 1128 69 |
| 24 | Web plate | | 4 | 3363 1128 70 |
| 25 | Blade support | | 2 | 3363 1128 71 |
| 28 | Hose kit | Kit with 4 hoses | 1 | 3363 1128 74 |
| 29 | V-ring | | 1 | 3363 1128 75 |
| 30 | Allen screw | Kit with 24/30 screws | 1 | 3363 1128 76 |
| 31 | Lock plate | | 1 | 3363 1135 22 |
| 35 | Protective sheath | | 2 | 3363 1128 81 |
| 36 | Nipple | | 2 | 3363 1128 82 |
| 37 | Fitting | | 2 | 3363 1128 83 |
| 38 | Nipple | | 2 | 3363 1128 84 |
| 39 | Fitting | | 2 | 3363 1128 85 |
| 40 | Hydraulic motor | | 2 | 3363 1128 86 |
| 41 | Pineon | | 2 | 3363 1128 94 |
| 42 | Seal kit | for hydraulic motor | 1 | 3363 1128 88 |
| 43 | Allen screw | Kit with 8 screws | 1 | 3363 1128 89 |
| 45 | Allen screw | Kit with 2 screws | 1 | 3363 1128 91 |
| 46 | Hose kit | Kit with 6 hoses | 1 | 3363 1128 92 |
| 47 | Lock piece | | 2 | 3363 1128 93 |
| 48 | Grease nipple | Kit with 12 nipples | 1 | 3363 1128 97 |
| 52(53-54) | Blade kit | | 1 | 3363 1129 18 |
| 53 | Blade | Kit with 2 blades | 1 | - |
| 54 | Bolt kit | Kit with 16 screws/nuts | 1 | 3363 1128 73 |
| 200 | Hydraulic cylinder | see separate chapter | 1 | 3363 1128 53 |
| 250 | Hydraulic cylinder | see separate chapter | 1 | 3363 1128 52 |
| 700 | Rotary transmission | see separate chapter | 1 | 3363 1128 90 |

Hydraulic cylinder, left-hand

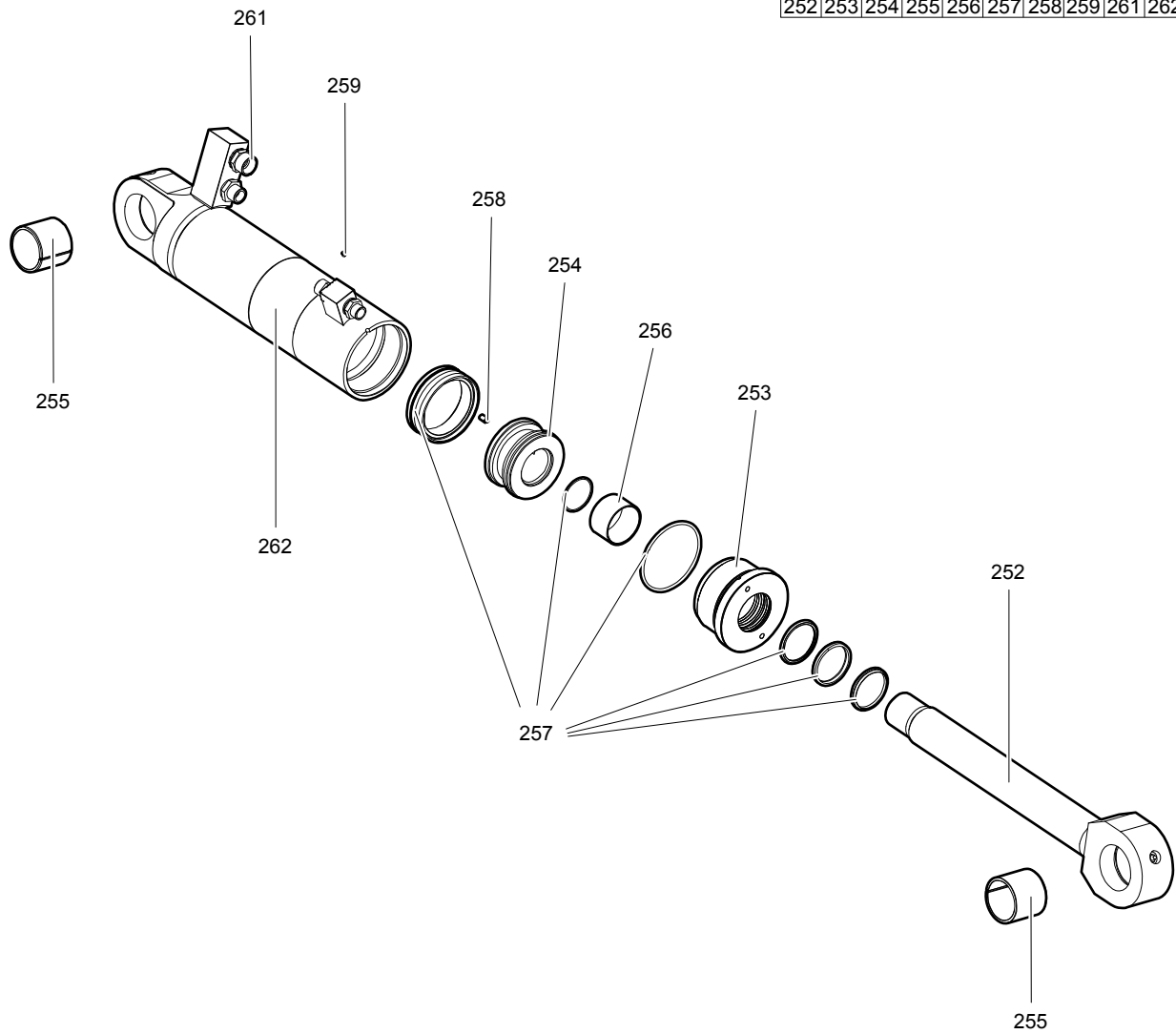
| | | | | | | | | | |
|------------|-----|-----|-----|-----|-----|-----|-----|-----|-----|
| 200 | | | | | | | | | |
| 201 | 202 | 203 | 204 | 205 | 206 | 207 | 208 | 209 | 210 |



| No. | Description | Remark | Quantity | Part number |
|---------------------|---------------------------|--------------------|----------|--------------|
| 200(201-210) | Hydraulic cylinder | | 1 | 3363 1128 53 |
| 201 | Cylinder body | | 1 | 3363 1128 99 |
| 202 | Piston rod | | 1 | 3363 1129 00 |
| 203 | Cover | | 1 | 3363 1129 01 |
| 204 | Piston | | 1 | 3363 1129 02 |
| 205 | Bearing bush | | 2 | 3363 1129 03 |
| 206 | Guide bush | | 1 | 3363 1129 04 |
| 207 | Seal kit | | 1 | 3363 1129 05 |
| 208 | Pin | | 1 | 3363 1129 06 |
| 209 | Pin | | 1 | 3363 1129 07 |
| 210 | Connecting kit | Kit with 2 nipples | 1 | 3363 1129 08 |

Hydraulic cylinder, right-hand

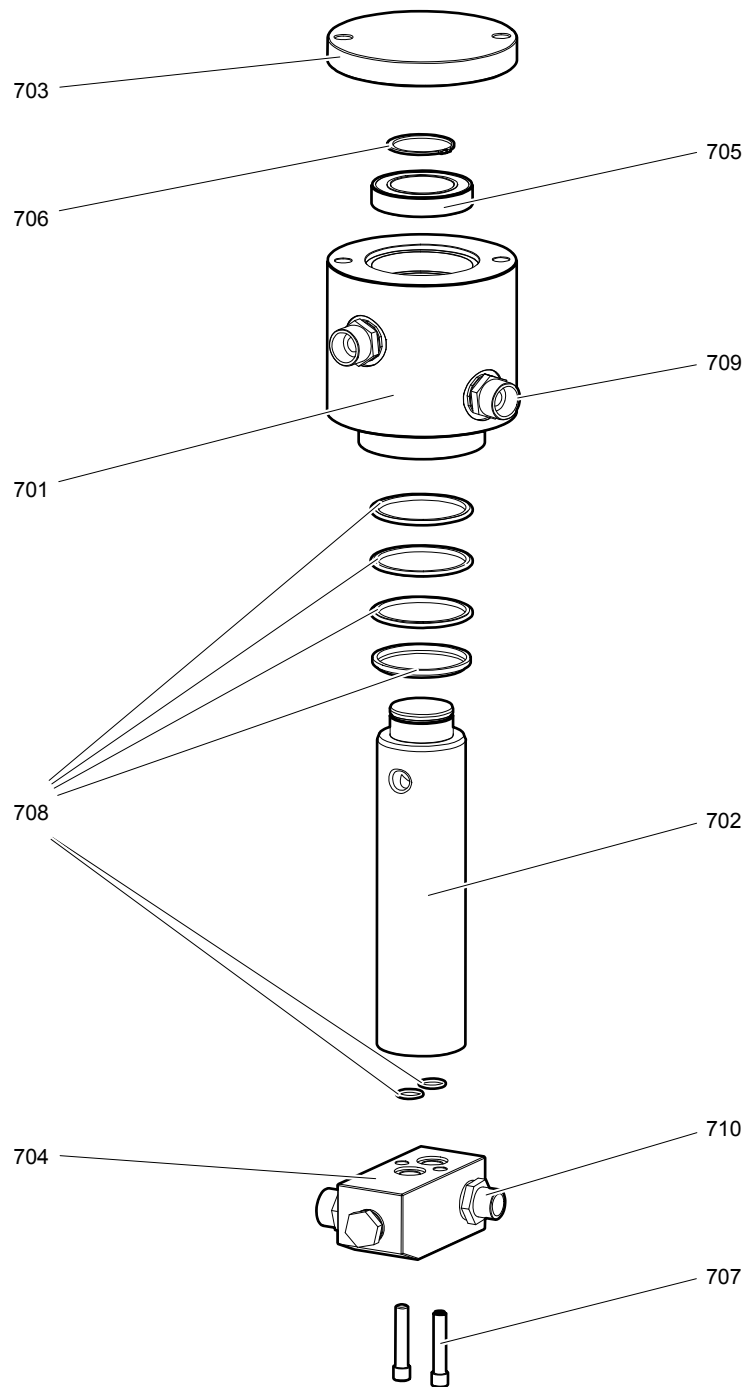
| 250 | | | | | | | | | |
|-----|-----|-----|-----|-----|-----|-----|-----|-----|-----|
| 252 | 253 | 254 | 255 | 256 | 257 | 258 | 259 | 261 | 262 |



| No. | Description | Remark | Quantity | Part number |
|---------------------|---------------------------|--------------------|----------|--------------|
| 250(252-262) | Hydraulic cylinder | | 1 | 3363 1128 52 |
| 252 | Piston rod | | 1 | 3363 1129 00 |
| 253 | Cover | | 1 | 3363 1129 01 |
| 254 | Piston | | 1 | 3363 1129 02 |
| 255 | Bearing bush | | 2 | 3363 1129 03 |
| 256 | Guide bush | | 1 | 3363 1129 04 |
| 257 | Seal kit | | 1 | 3363 1129 05 |
| 258 | Pin | | 1 | 3363 1129 06 |
| 259 | Pin | | 1 | 3363 1129 07 |
| 261 | Connecting kit | Kit with 4 nipples | 1 | 3363 1129 09 |
| 262 | Cylinder body | | 1 | 3363 1129 10 |

Rotary transmission

| 700 | | | | | | | | | |
|-----|-----|-----|-----|-----|-----|-----|-----|-----|-----|
| 701 | 702 | 703 | 704 | 705 | 706 | 707 | 708 | 709 | 710 |



| No. | Description | Remark | Quantity | Part number |
|---------------------|----------------------------|--|----------|--------------|
| 700(701-710) | Rotary transmission | | 1 | 3363 1128 78 |
| 701 | Stator | | 1 | 3363 1129 12 |
| 702 | Rotor | | 1 | 3363 1129 13 |
| 703 | Cover | | 1 | 3363 1129 14 |
| 704 | Connection block | | 1 | 3363 1129 15 |
| 705 | Bearing | | 1 | 3363 1129 16 |
| 706 | Seeger circlip ring | | 1 | 3363 1129 17 |
| 707 | Allen screw kit | Kit with 2 screws | 1 | 3363 1128 80 |
| 708 | Seal kit | | 1 | 3363 1129 19 |
| 709 | Connecting kit | Kit with 2 nipples | 1 | 3363 1129 20 |
| 710 | Connecting kit | Kit with 2 nipples 1 threaded plug | 1 | 3363 1129 21 |

Tightening torques

| No. | Description | Tightening torque | Remark |
|-----|-----------------------------|-------------------|--------|
| 30 | Allen key | 300 Nm | |
| 31 | Allen key | 300 Nm | |
| 54 | Allen key and socket wrench | 550 Nm | |

Accessories

Hydraulic hoses

Open - Close

| Description | Remark | Quantity | Part number |
|----------------|---|----------|--------------|
| Hydraulic hose | I.D. 25 both ends M 42x2, conical seal 24° length 2300 mm (90.55 in.) | 2 | 3360 9923 40 |
| Hydraulic hose | I.D. 25 both ends M 42x2, conical seal 24° length 2800 mm (110.24 in.) | 2 | 3361 8538 59 |

Rotation

| Description | Remark | Quantity | Part number |
|----------------|--|----------|--------------|
| Hydraulic hose | I.D. 8 both ends M 20x1.5, conical seal 24° length 2800 mm (110.24 in.) | 2 | 3363 0317 67 |
| Hydraulic hose | I.D. 8 both ends M 20x1.5, conical seal 24° length 3500 mm (137.80 in.) | 2 | 3363 0343 99 |

Optional equipment

| Description | Remark | Quantity | Part number |
|------------------------------------|---|----------|--------------|
| Cutter grease cartridge | 12 x 400 g (0.88 lbs) | 1 | 3363 0949 14 |
| Grease gun | | 1 | 0909 1071 00 |
| Adapter plate matching the carrier | Consult the Atlas Copco Customer Center/Dealer in your area. | 1 | - |
| Base plate with threaded inserts | | 1 | 3363 0997 95 |
| Bolt kit | | 1 | 3363 0873 06 |
| Base plate with through borings | | 1 | 3363 1006 99 |
| Bolt kit | | 1 | 3363 0945 79 |
| Allen key | 22 mm for bolt kit | 1 | 3360 2094 45 |

Kits

Label kit

| No. | Description | Remark | Quantity | Part number |
|-----|-------------|--------|----------|--------------|
| | Label kit | | 1 | 3363 1125 88 |

Blade kit

| No. | Description | Remark | Quantity | Part number |
|-----|-------------|-------------------------|----------|--------------|
| 52 | Blade kit | | 1 | 3363 1129 18 |
| 53 | Blade | Kit with 2 blades | 1 | - |
| 54 | Bolt kit | Kit with 16 screws/nuts | 1 | 3363 1128 73 |

Seal kit (Hydraulic motor)

| No. | Description | Remark | Quantity | Part number |
|-----|----------------------------|--------|----------|--------------|
| 42 | Seal kit (Hydraulic motor) | | 1 | 3363 1128 88 |

Seal kit (Hydraulic cylinder)

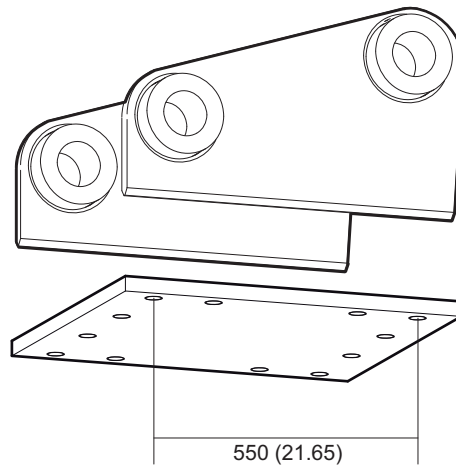
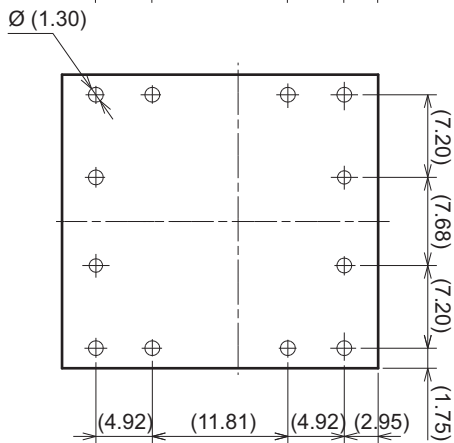
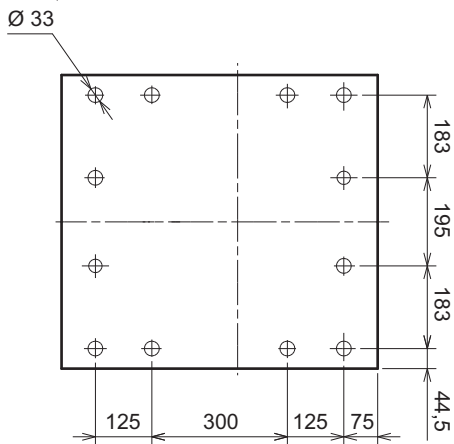
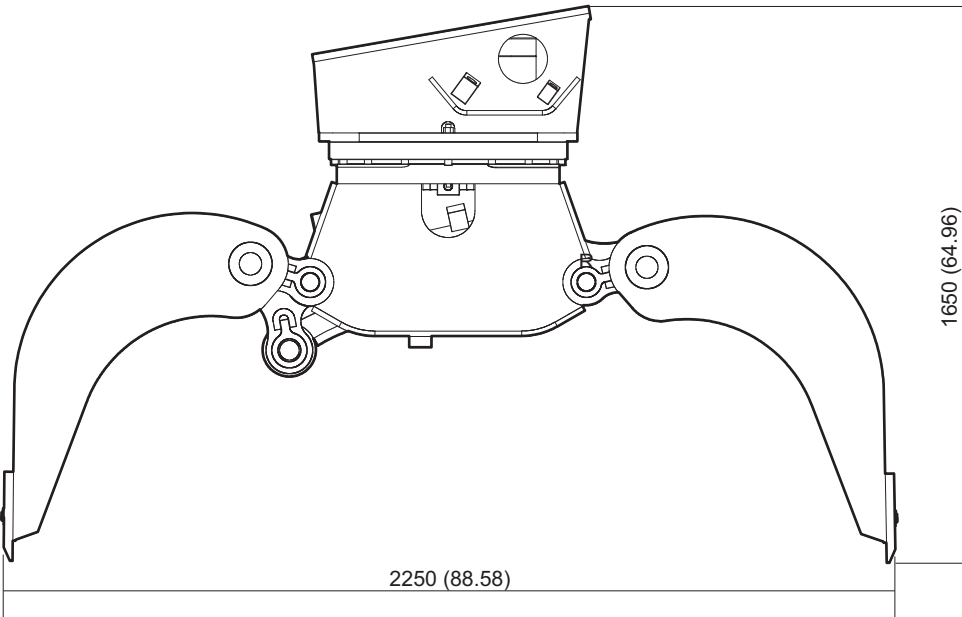
| No. | Description | Remark | Quantity | Part number |
|-----|-------------------------------|--------|----------|--------------|
| | Seal kit (Hydraulic cylinder) | | 1 | 3363 1129 05 |

Seal kit (Rotary transmission)

| No. | Description | Remark | Quantity | Part number |
|-----|--------------------------------|--------|----------|--------------|
| 708 | Seal kit (Rotary transmission) | | 1 | 3363 1129 19 |

Dimensions

mm (inch)



Any unauthorized use or copying of the contents or any part thereof is prohibited.
This applies in particular to trademarks, model denominations, part numbers, and
drawings.

© 2012 Atlas Copco Construction Tools GmbH | No. 3390 7528 01 | 2012-01-11

Atlas Copco

www.atlascopco.com