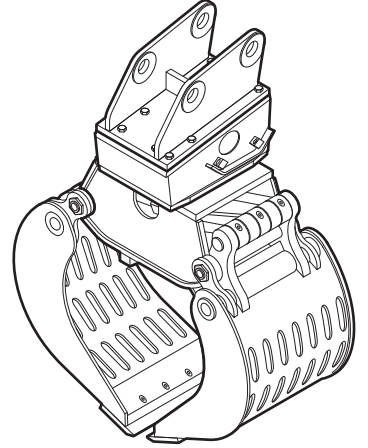


Spare parts list Multi grapple

	Valid from serial number
MG 100	100



Contents

General information	5
Spare parts list	6
Multi grapple	6
Hydraulic cylinder	8
Rotary transmission	10
Tightening torques	12
Accessories	13
Hydraulic hoses	13
Optional equipment	13
Kits	14
Label kit	14
Blade kit	14
Seal kit (Hydraulic cylinder)	14
Seal kit (Rotary transmission)	14
Dimensions	15
.....	15

General information

This spare parts list applies to the following:

Part number	Description
3363 1036 50	Multi grapple MG 100

Use only authorized parts. Any damage or malfunction caused by the use of unauthorized parts is not covered by Warranty or Product Liability. Any unauthorized use or copying of the contents or any part thereof is prohibited. This applies in particular to trademarks, model denominations, part numbers, and drawings.

Instructions for use

This spare parts list contains no safety regulations and is merely intended to assist in the ordering of spare parts.

For information about operating, servicing, or repairing, the relevant Safety and operating instructions must be consulted at all costs.

Please observe the safety instructions listed in the relevant Safety and operating instructions!

Instructions of ordering

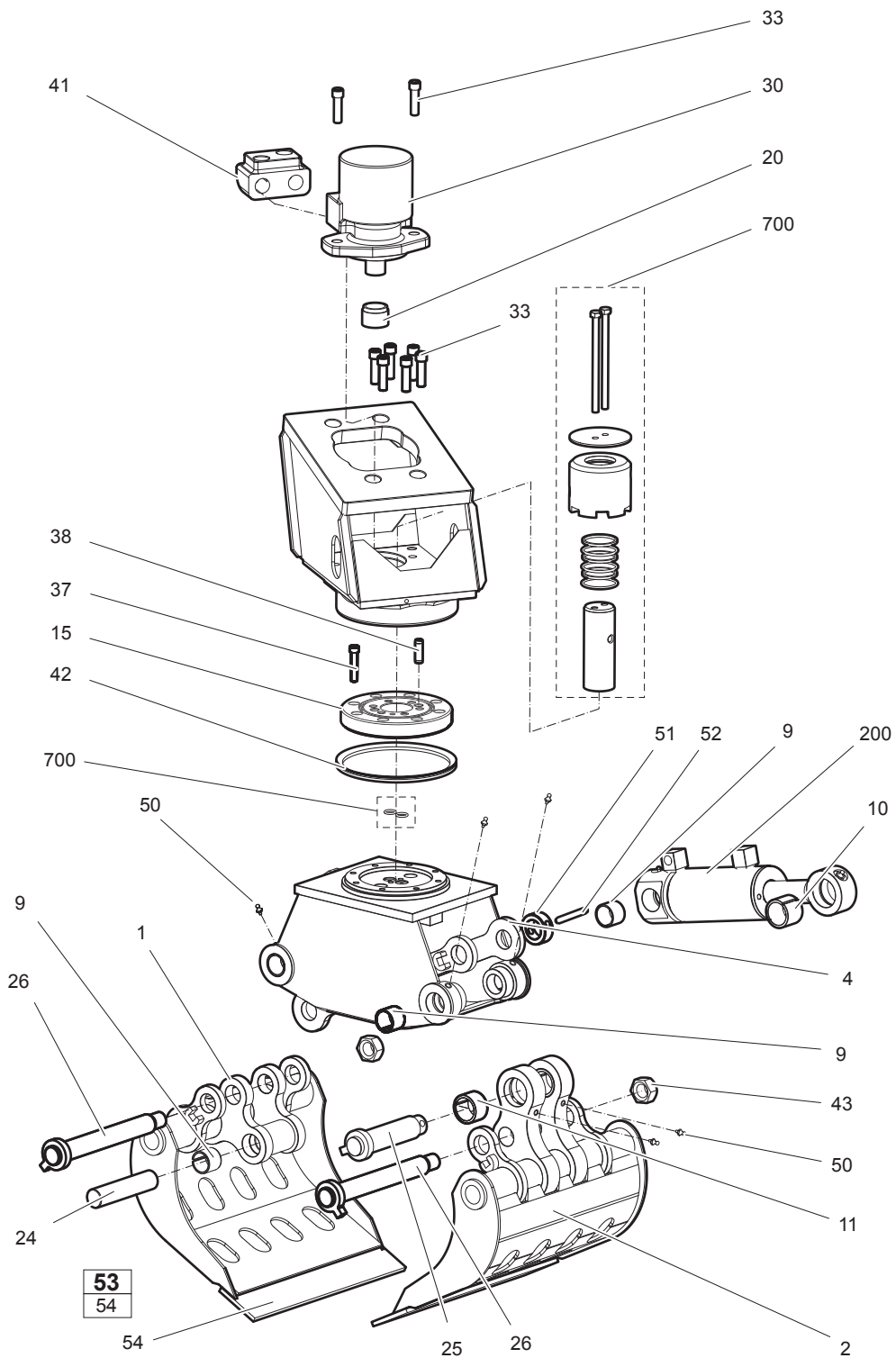
It is essential to indicate the serial number of the hydraulic attachment when ordering spare parts!

Determine the quantity of individual parts which are required and need to be ordered. The order must indicate the following details:

- full identification code of the hydraulic attachment
- required quantity
- part number
- description

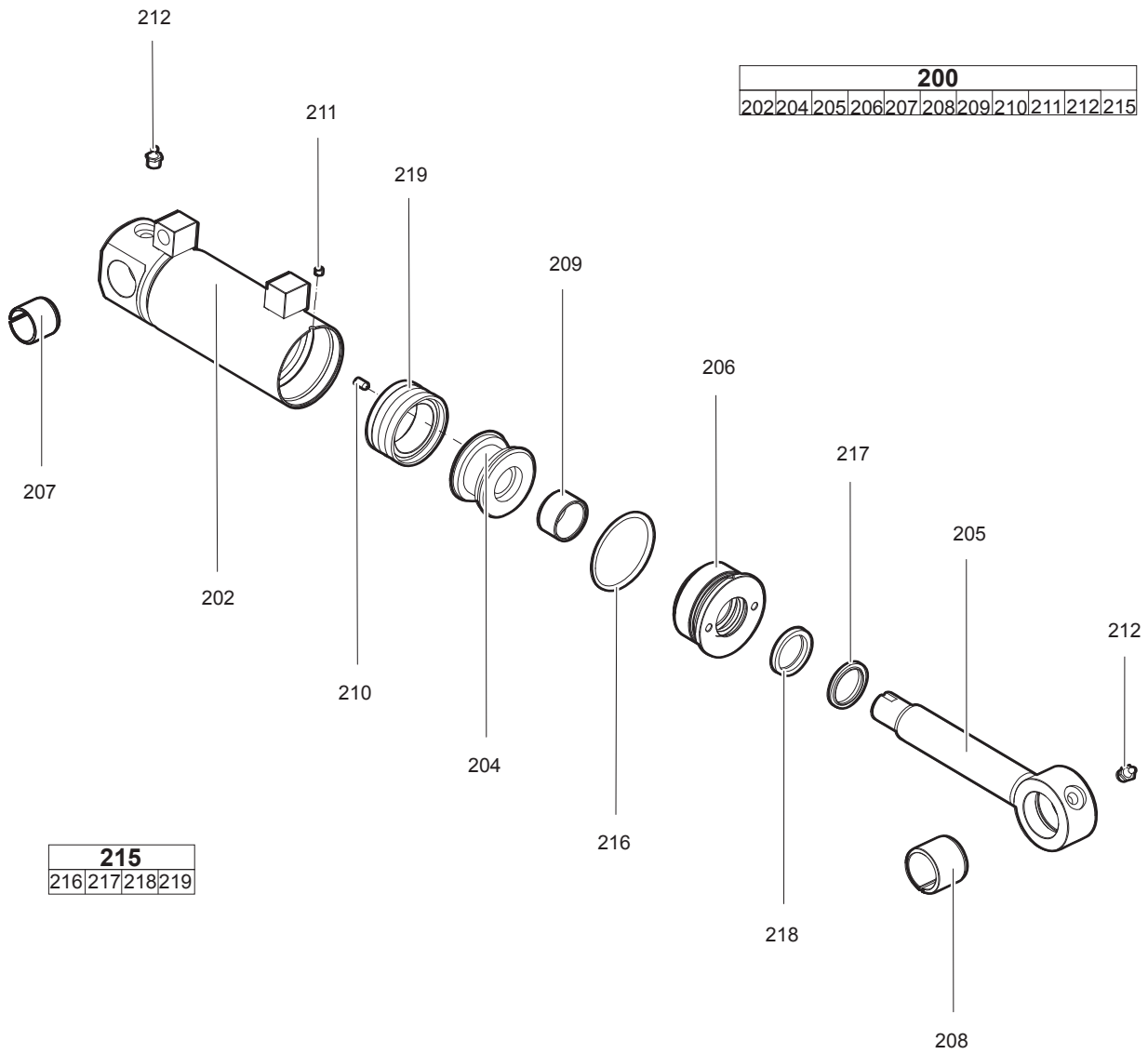
Spare parts list

Multi grapple



No.	Description	Remark	Quantity	Part number
1	Grapple leaf, left		1	3363 1061 00
2	Grapple leaf, right		1	3363 1061 01
4	Linkage		2	3363 1061 02
9	Bearing bush		8	3363 1061 04
10	Bearing bush		1	3363 1061 05
11	Bearing bush		2	3363 1061 06
15	Live ring		1	3363 1061 07
20	Pinion		1	3363 1061 10
24	Bolt		1	3363 1061 11
25	Bolt		1	3363 1061 12
26	Bolt		2	3363 1061 13
30	Hydraulic motor		1	3363 1061 14
33	Allen screw		8	3363 1061 15
37	Allen screw		8	3363 1061 17
38	Spring dowel pin		2	3363 1061 18
41	Connection block		1	3363 1061 27
42	V-ring		1	3363 1061 19
43	Hexagon nut		2	3363 1061 20
50	Grease nipple		7	3363 1061 25
51	Locking ring		1	3363 1106 62
52	Spring dowel pin		1	3363 1061 22
53(54)	Blade kit		1	3363 1061 23
54	Blade	You must use a qualified professional welding company to weld the blades onto the grapple leaves.	2	-
200	Hydraulic cylinder	see separate chapter	1	3363 1061 03
700	Rotary transmission	see separate chapter	1	3363 1061 24

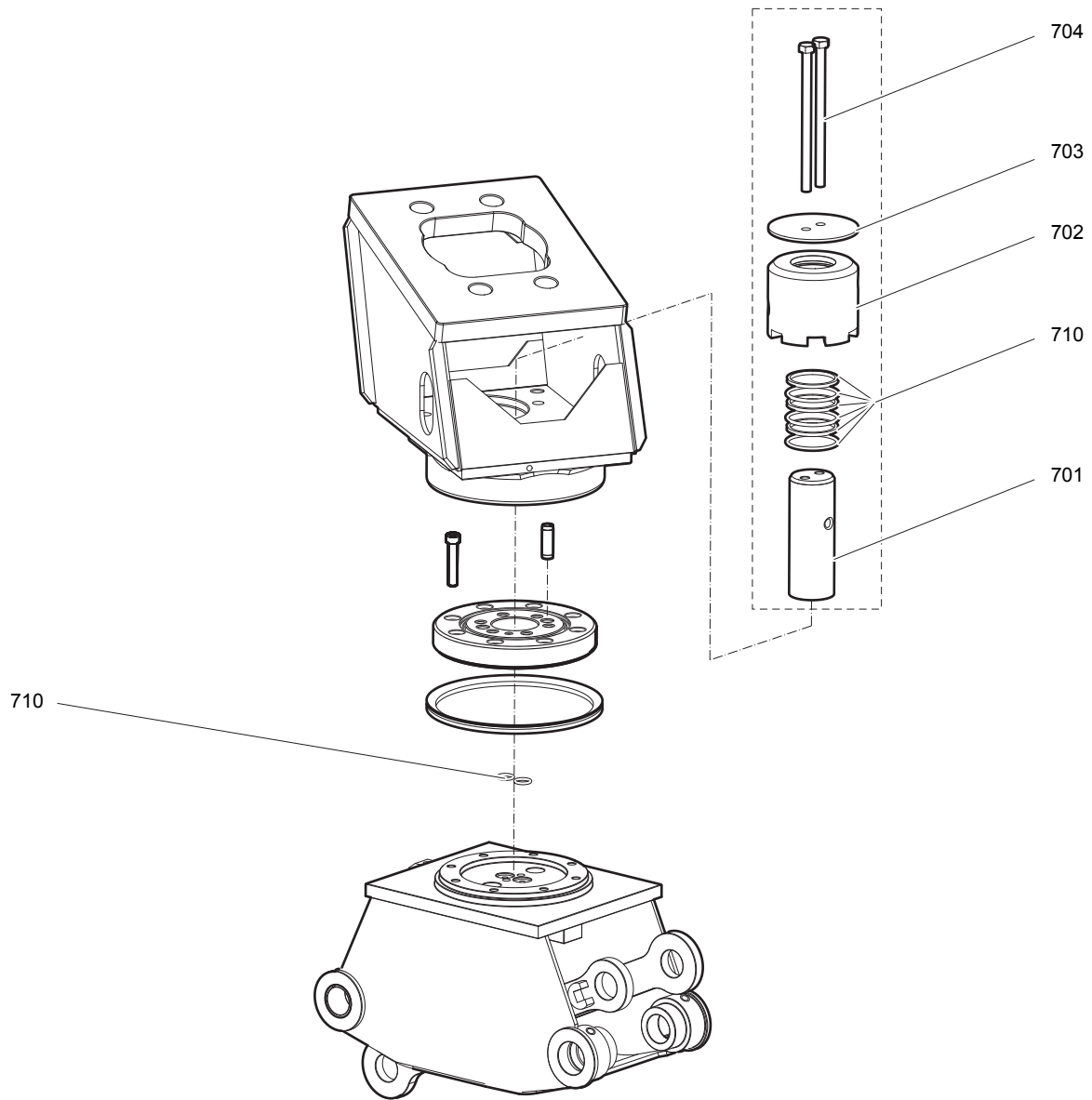
Hydraulic cylinder



No.	Description	Remark	Quantity	Part number
200(202-212,215)	Hydraulic cylinder		1	3363 1061 03
202	Cylinder body		1	3363 1061 30
204	Cylinder piston		1	3363 1106 61
205	Piston rod		1	3363 1061 32
206	Cover		1	3363 1061 31
207	Bearing bush		2	3363 1061 33
208	Bearing bush		1	3363 1061 34
209	Guide bush		1	3363 1061 36
210	Pin		1	3363 1061 42
211	Pin		1	3363 1061 41
212	Grease nipple		2	3363 1061 40
215(216-219)	Seal kit		1	3363 1062 40
216	O-ring		1	-
217	Wiper		1	-
218	Seal		1	-
219	Piston packing		1	-

Rotary transmission

700				
701	702	703	704	710



No.	Description	Remark	Quantity	Part number
700(701-710)	Rotary transmission		1	3363 1061 24
701	Rotor		1	3363 1061 08
702	Stator		1	3363 1061 21
703	Cover		1	3363 1061 09
704	Hexagon bolt		2	3363 1061 16
710	Seal kit		1	3363 1061 28

Tightening torques

No.	Description	Tightening torque	Remark
33	Allen screw	70 Nm	
37	Allen screw	40 Nm	

Accessories

Hydraulic hoses

Open - Close

Description	Remark	Quantity	Part number
Hydraulic Hose	I.D. 8 both ends M 16x1.5, conical seal 24° length 2000 mm (78.74 in.)	2	3363 0945 41

Rotation

Description	Remark	Quantity	Part number
Hydraulic Hose	I.D. 8 both ends M 16x1.5, conical seal 24° length 2000 mm (78.74 in.)	2	3363 0945 41

Optional equipment

Description	Remark	Quantity	Part number
Cutter grease cartridge	12 x 400 g (0.88 lbs)	1	3363 0949 14
Grease gun		1	0909 1071 00
Adapter plate matching the carrier	Consult the Atlas Copco Customer Center/Dealer in your area.	1	-
Base plate		1	3315 3472 00
Bolt kit		1	3315 3335 92
Allen key	14 mm for bolt kit	1	3360 2049 63

Kits

Label kit

No.	Description	Remark	Quantity	Part number
	Label kit		1	3363 1062 48

Blade kit

No.	Description	Remark	Quantity	Part number
53	Blade kit		1	3363 1061 23
54	Blade	You must use a qualified professional welding company to weld the blades onto the grapple leafs.	2	-

Seal kit (Hydraulic cylinder)

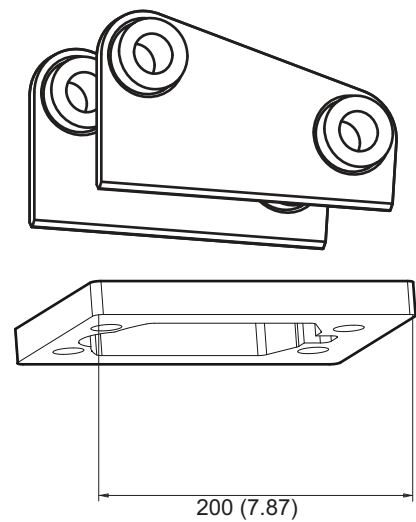
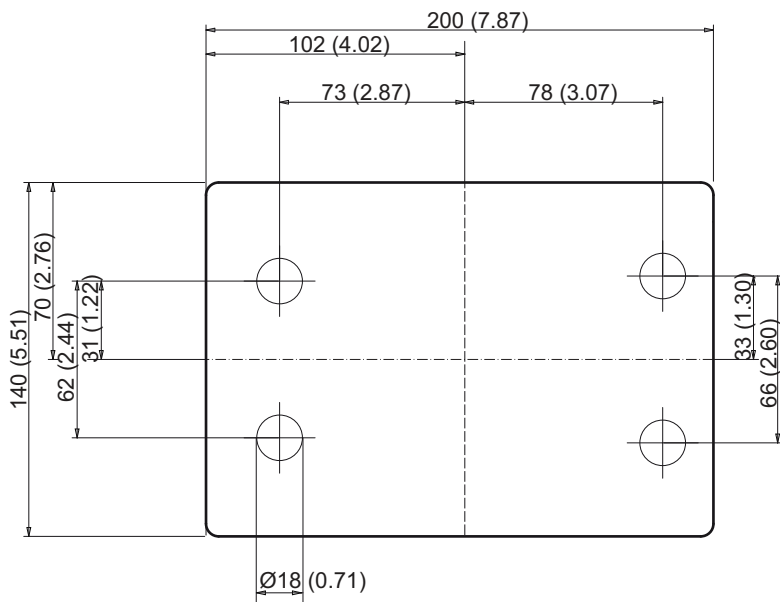
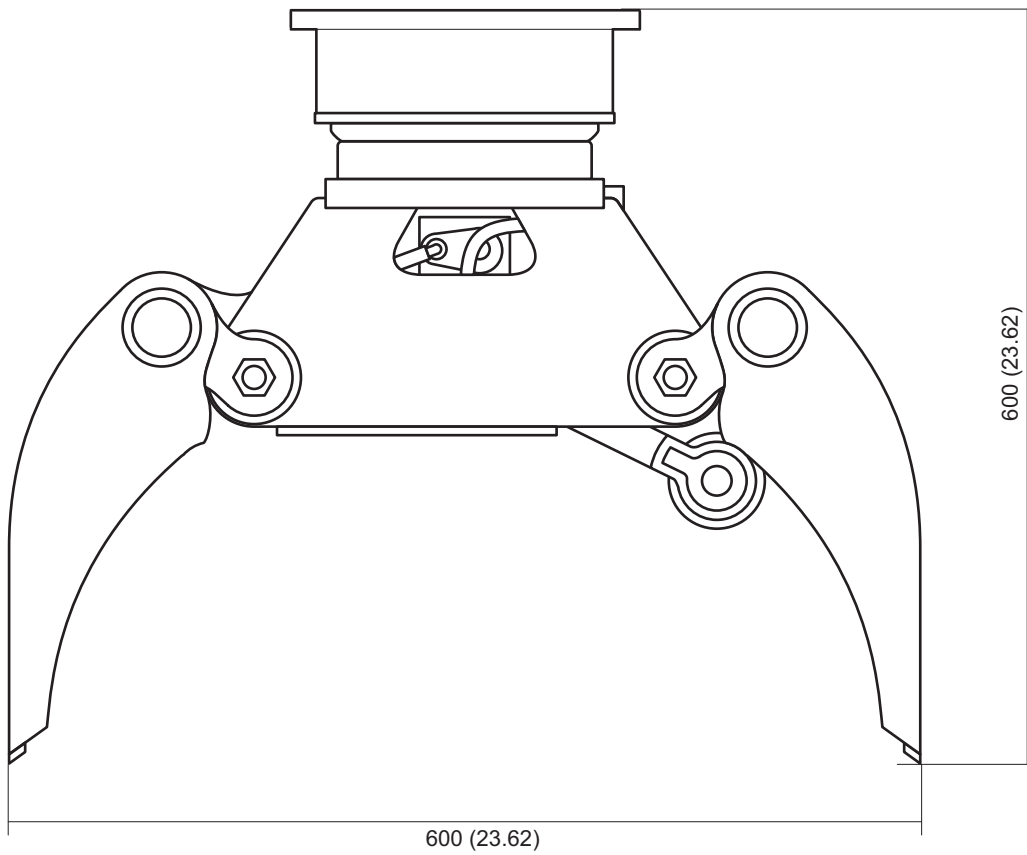
No.	Description	Remark	Quantity	Part number
215	Seal kit (Hydraulic cylinder)		1	3363 1062 40
216	O-ring		1	-
217	Wiper		1	-
218	Seal		1	-
219	Piston packing		1	-

Seal kit (Rotary transmission)

No.	Description	Remark	Quantity	Part number
710	Seal kit (Rotary transmission)		1	3363 1061 28

Dimensions

mm (inch)



Any unauthorized use or copying of the contents or any part thereof is prohibited.
This applies in particular to trademarks, model denominations, part numbers, and
drawings.

© 2010 Atlas Copco Construction Tools GmbH | No. 3390 7352 01 | 2010-12-09

Atlas Copco

www.atlascopco.com