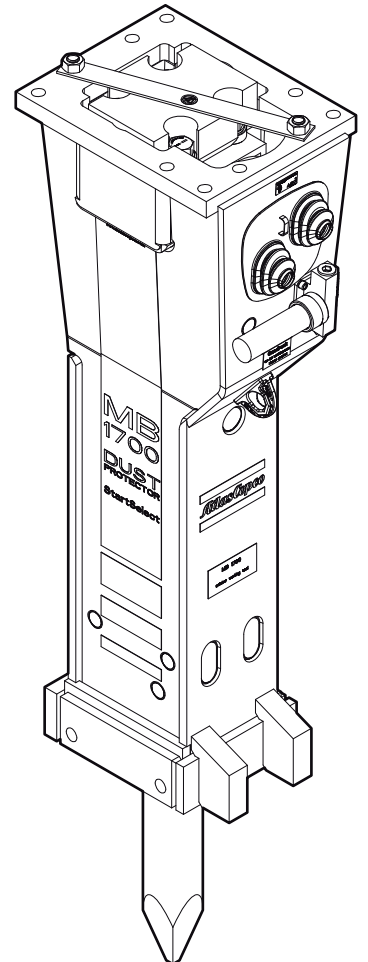


Spare parts list Hydraulic breakers

	Valid from serial number
MB 1700	54
MB 1700 DP	54



Contents

General information.....	5
Spare parts list.....	6
Hydraulic breaker MB 1700.....	6
Hydraulic breaker MB 1700 DustProtector.....	8
Percussion unit part 1: cylinder cover.....	10
Percussion unit part 2: cylinder.....	12
Percussion unit part 3: lower breaker part.....	14
Connecting kit for ContiLube® II.....	16
StartSelect - AutoStart or AutoStop.....	18
Optional parts.....	20
Tightening torques.....	21
Working tools.....	22
MB 1700.....	22
MB 1700 DustProtector.....	23
Accessories.....	24
Hydraulic hoses.....	24
Optional equipment.....	24
Kits.....	25
Label kit MB 1700.....	25
Label kit MB 1700 DustProtector.....	26
Seal kit.....	27
Seal kit for swivel joint (ContiLube® II).....	27
Plastic parts kit.....	27
Tensioning bolt kit.....	28
DustProtector kit.....	28
Noise protection kit.....	28
Lower breaker part kit (steel).....	28
Lower breaker part kit DustProtector (steel).....	29
Fastening screw kit.....	29
Accumulator repair kit.....	29
Dimensions.....	30
Dimensions MB 1700.....	30
Dimensions MB 1700 DustProtector.....	31

General information

This spare parts list applies to the following:

Part number	Description
3363 0904 49	Hydraulic breaker MB 1700
3363 0904 51	Hydraulic breaker MB 1700 DustProtector

Use only authorized parts. Any damage or malfunction caused by the use of unauthorized parts is not covered by Warranty or Product Liability. Any unauthorized use or copying of the contents or any part thereof is prohibited. This applies in particular to trademarks, model denominations, part numbers, and drawings.

Instructions for use

This spare parts list contains no safety regulations and is merely intended to assist in the ordering of spare parts.

For information on operating, servicing, or repairing, the relevant Safety and operating instructions must be consulted at all costs.

Please observe the safety instructions listed in the relevant Safety and operating instructions!

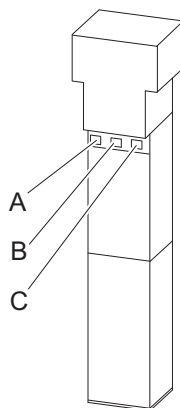
Instructions of ordering

It is essential to indicate the serial number of the hydraulic attachment when ordering spare parts!

Please note the full identification number of your hydraulic attachment. This code can be found on the cylinder.

Determine the quantity of individual parts which are required and need to be ordered. The order must indicate the following details:

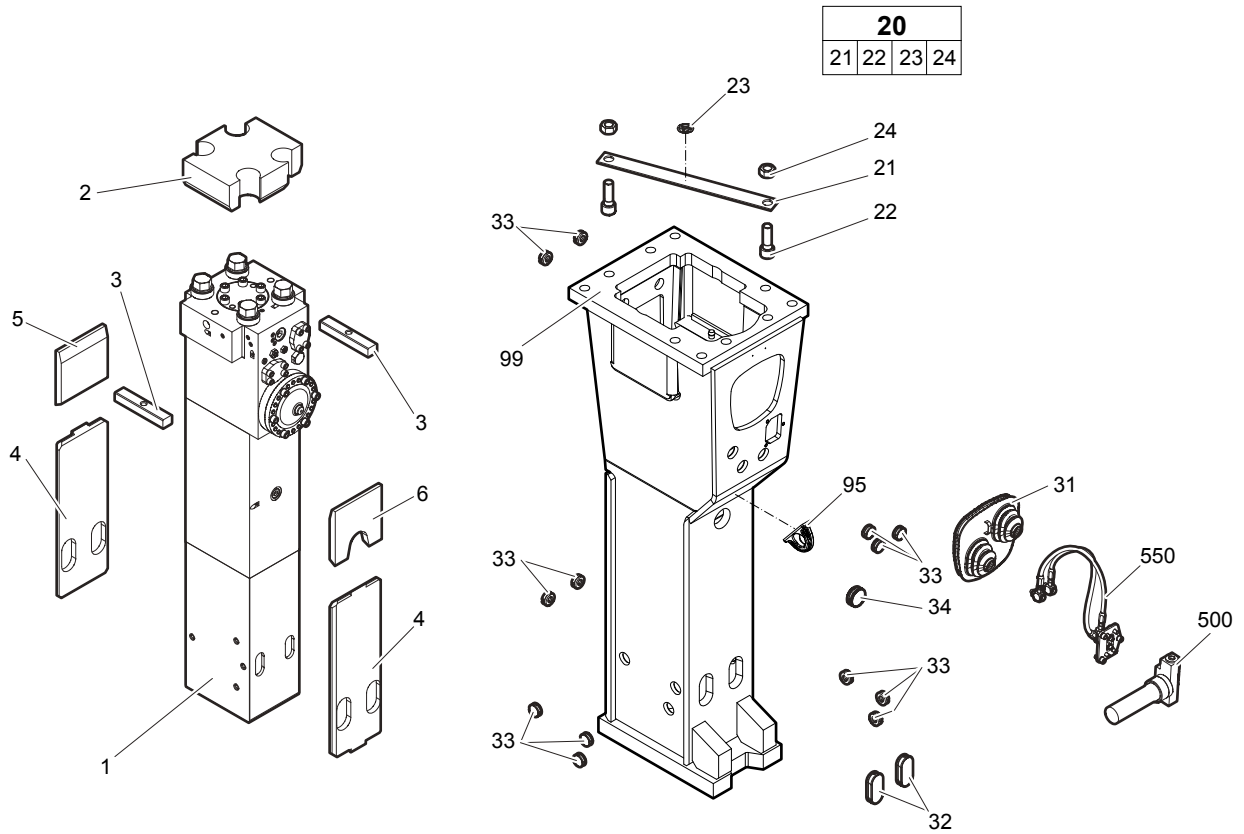
- full identification code of the hydraulic attachment
- required quantity
- part number
- description



- A. Cylinder number
- B. Type
- C. Serial number

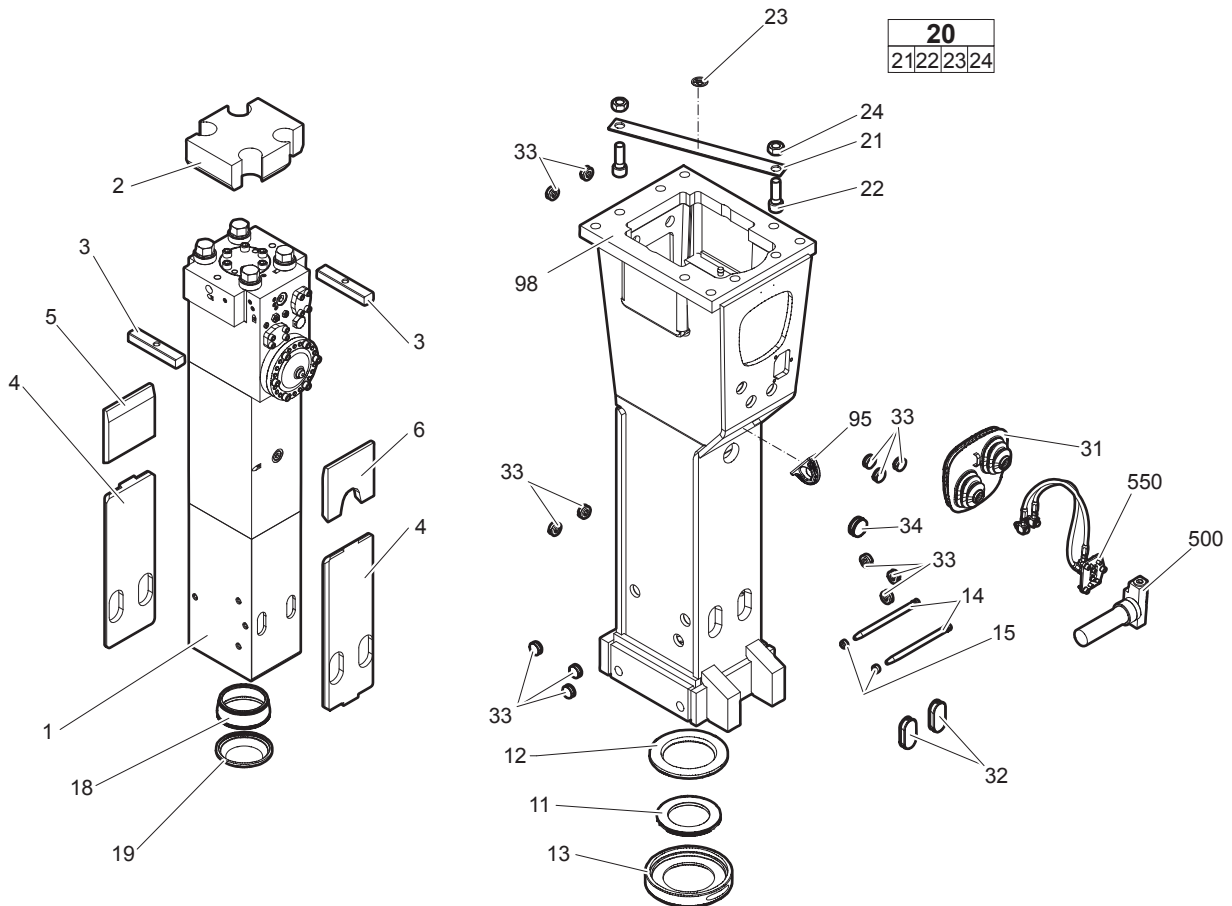
Spare parts list

Hydraulic breaker MB 1700



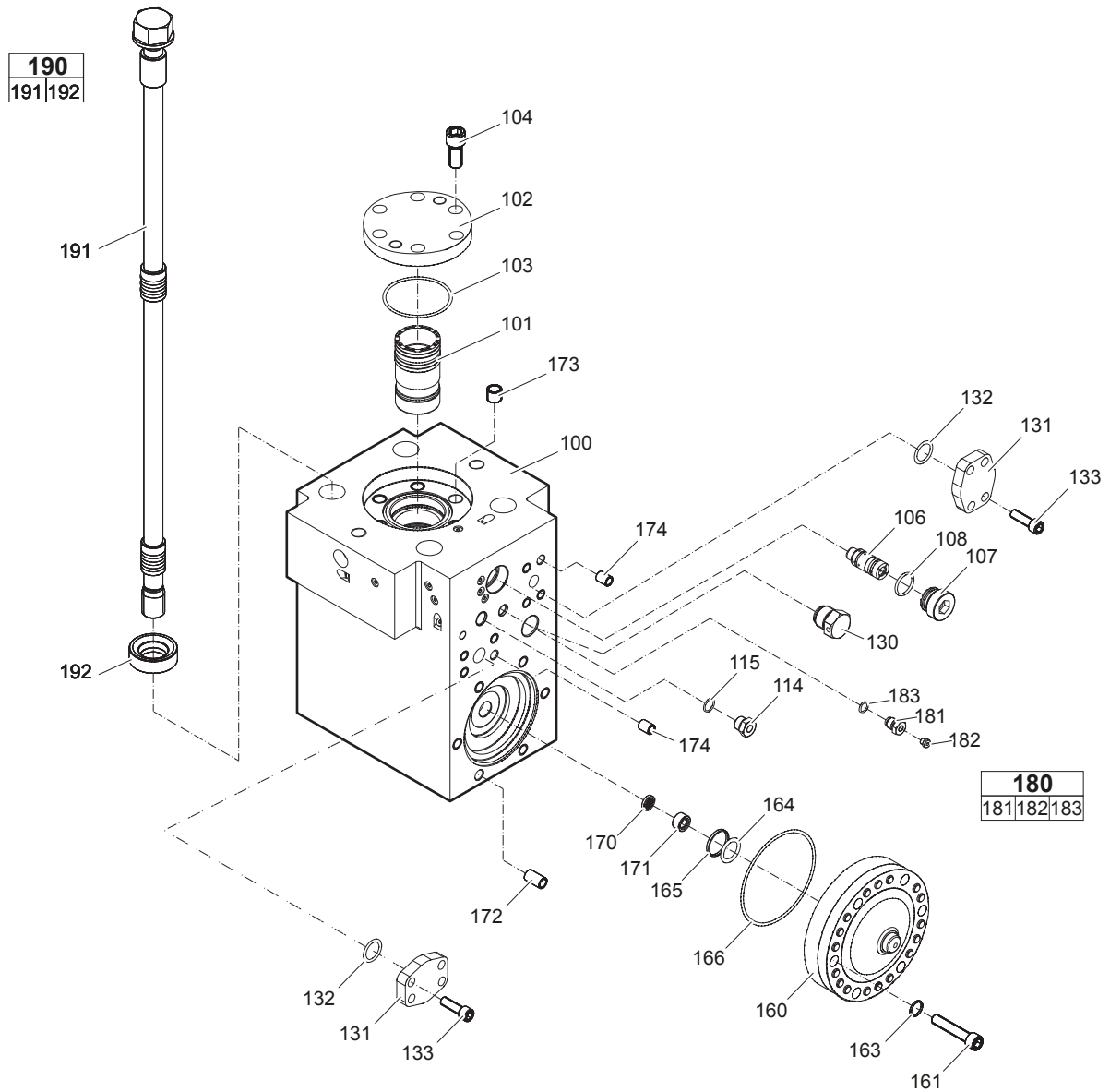
No.	Description	Remark	Quantity	Part number
1	Percussion unit	see separate chapter	1	-
2	Elastic pad		1	3363 0334 67
3	Shock absorber		2	3363 0334 65
4	Guide plate		2	3363 0357 95
5	Guide plate		1	3363 0357 93
6	Guide plate		1	3363 0841 99
20(21-24)	Transport safety device complete		1	3363 0834 16
21	Transport safety device		1	-
22	Allen screw		2	3360 0268 83
23	Label transport safety device		1	3363 0918 72
24	Nut		2	3360 1032 54
31	Cover		1	3363 0335 51
32	Plug		2	3363 0860 11
33	Plug		13	3363 0860 15
34	Plug		1	3363 0860 17
95	Lifting eye	professional welding process necessary	1	3363 1119 94
99	Breaker box		1	3363 0988 77
500	ContiLube® II	see separate <i>Safety and operating instructions</i>	1	3363 0671 23
550	Connecting kit for ContiLube® II	see separate chapter	1	3363 0834 21

Hydraulic breaker MB 1700 DustProtector



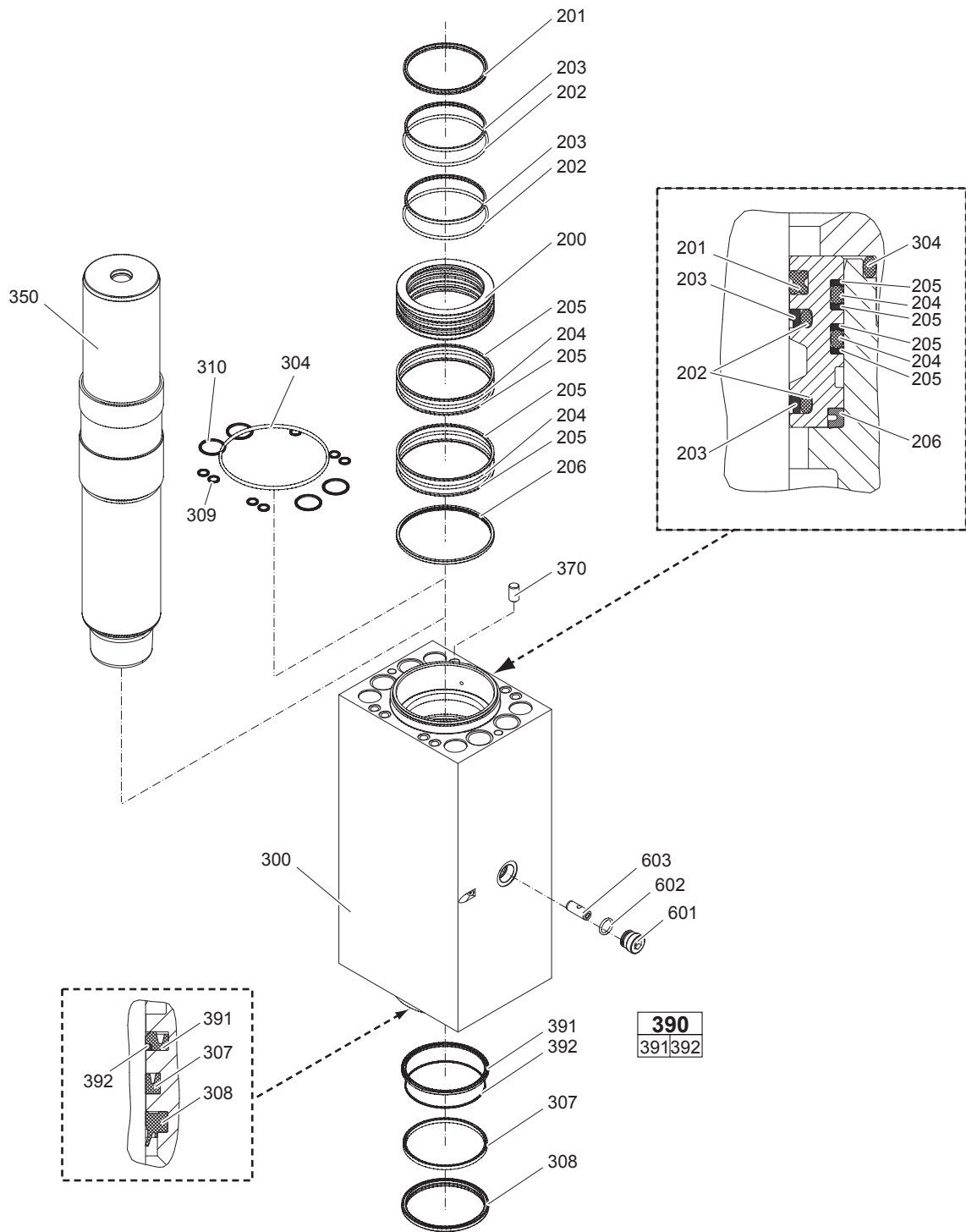
No.	Description	Remark	Quantity	Part number
1	Percussion unit	see separate chapter Note: When ordering a percussion unit for DustProtector version it is imperative to order additionally the base for wiper (no. 18) and the wiper (no. 19).	1	-
2	Elastic pad		1	3363 0334 67
3	Shock absorber		2	3363 0334 65
4	Guide plate		2	3363 0357 95
5	Guide plate		1	3363 0357 93
6	Guide plate		1	3363 0841 99
11	Floating ring	tribolid steel see chapter <i>Optional parts</i>	1	3363 0706 61
12	Counter ring		1	3363 0357 75
13	Guide ring		1	3363 0357 77
14	Bolt		2	3363 0697 71
15	Locking bush		2	3363 0330 43
18	Base for wiper		1	3363 0886 59
19	Wiper		1	3363 0660 69
20(21-24)	Transport safety device complete		1	3363 0834 16
21	Transport safety device		1	-
22	Allen screw		2	3360 0268 83
23	Label transport safety device		1	3363 0918 72
24	Nut		2	3360 1032 54
31	Cover		1	3363 0335 51
32	Plug		2	3363 0860 11
33	Plug		13	3363 0860 15
34	Plug		1	3363 0860 17
95	Lifting eye	professional welding process necessary	1	3363 1119 94
98	Breaker box		1	3363 0988 78
500	ContiLube® II	see separate <i>Safety and operating instructions</i>	1	3363 0671 23
550	Connecting kit for ContiLube® II	see separate chapter	1	3363 0834 21

Percussion unit part 1: cylinder cover



No.	Description	Remark	Quantity	Part number
100	Cylinder cover	with no. 170 - 174	1	3363 0682 01
101	Main control valve		1	3363 0330 29
102	Cover		1	3361 3315 55
103	O-ring		1	3360 3143 75
104	Allen screw		6	3360 1037 76
106	Frequency switching valve	AutoControl	1	3363 0354 53
107	Threaded plug		1	3363 0354 25
108	O-ring		1	3360 3143 70
114	Connecting screw		1	3361 8546 57
115	O-ring		1	3360 4781 71
130	Non-return valve		1	3361 8545 11
131	Blind flange		2	3363 0340 41
132	O-ring		2	3360 3143 72
133	Allen screw		8	3360 1060 74
160	HP-accumulator		1	3363 0695 85
161	Fastening screw		6	3363 0704 90
163	Pair of lock washers		6	3361 3337 03
164	O-ring		1	3361 0319 12
165	Back-up ring		1	3361 8505 29
166	O-ring		1	3361 0319 90
170	Strainer disk		1	3361 8441 13
171	Threaded plug		1	3361 8441 15
172	Threaded insert		6	3361 0319 89
173	Threaded insert		6	3361 0315 29
174	Threaded insert		8	3361 0319 46
180(181-183)	Filling valve complete		1	3363 0872 86
181	Filling valve		1	-
182	Threaded plug		1	3360 4784 26
183	O-ring		1	3360 1751 25
190(191-192)	Tensioning bolt complete		4	3363 0949 27
191	Tensioning bolt		1	3363 0990 37
192	Washer		1	3363 0977 73

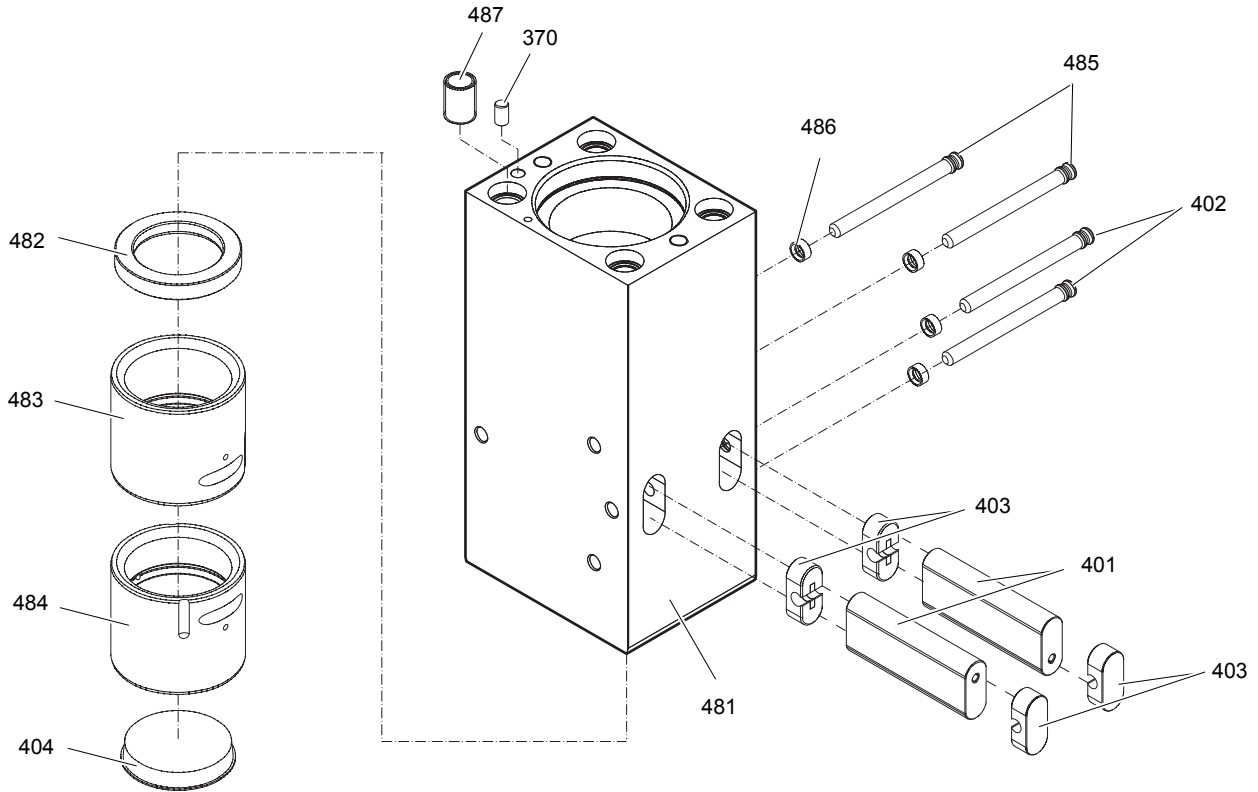
Percussion unit part 2: cylinder



No.	Description	Remark	Quantity	Part number
200	Seal bush		1	3363 0977 99
201	Seal		1	3363 0318 72
202	O-ring		2	3360 4797 21
203	Seal		2	3363 0319 73
204	O-ring		2	3360 4781 69
205	Back-up ring		4	3363 0843 61
206	Ring		1	3363 0977 89
300	Cylinder	with no. 601 - 603	1	3363 0857 37
304	O-ring		1	3362 3281 26
307	Seal		1	3362 2675 57
308	Wiper		1	3363 0836 68
309	Seal		7	3362 2675 84
310	Seal		4	3362 2675 89
350	Percussion piston		1	3363 0857 30
370	Lock pin		1	3363 0330 51
390(391-392)	Seal kit		1	3362 2638 22
391	Seal		1	-
392	Back-up ring		1	-
601	Plug		1	3363 0825 93
602	O-ring		1	3363 0832 45
603	Valve piston		1	3363 0825 05

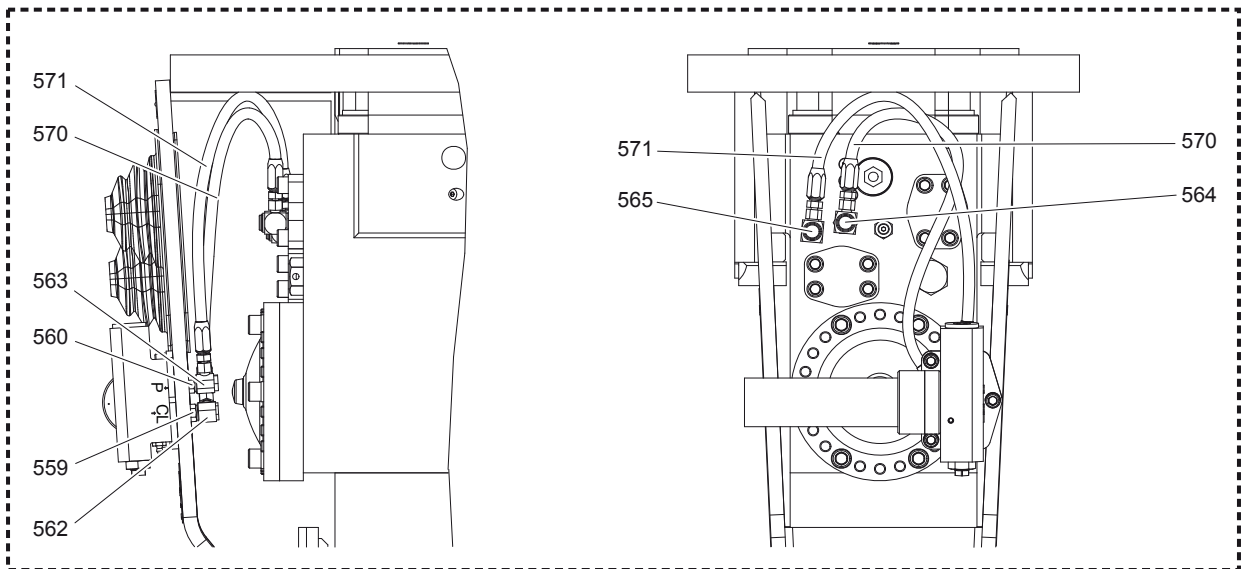
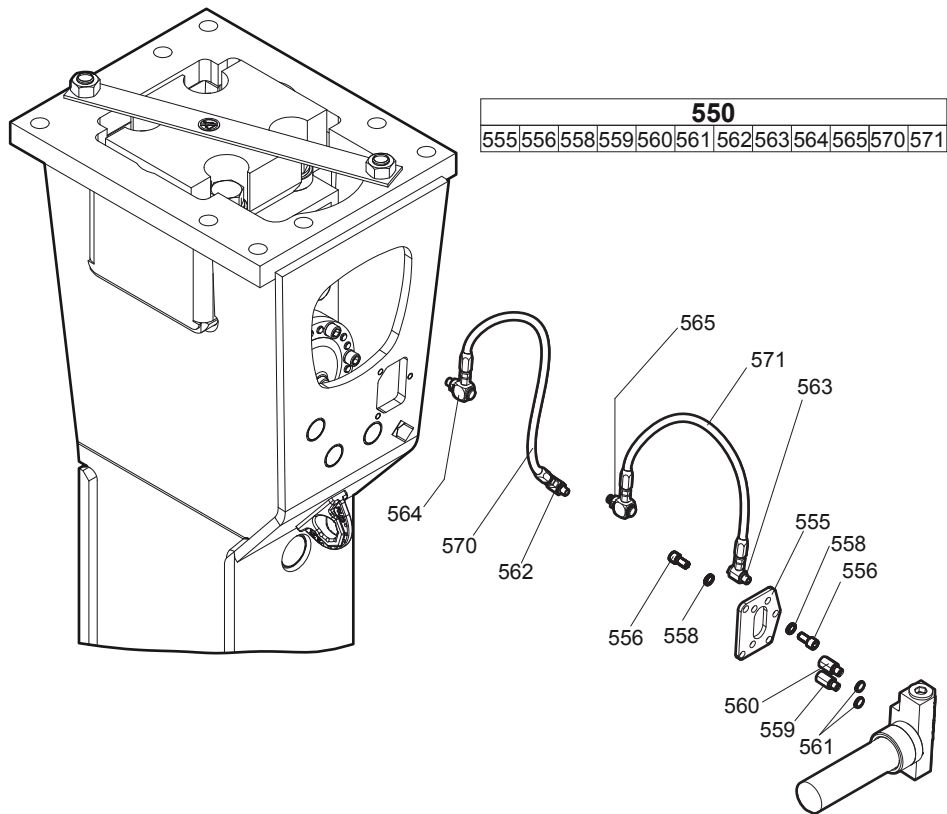
Percussion unit part 3: lower breaker part

480						
481	482	483	484	485	486	487



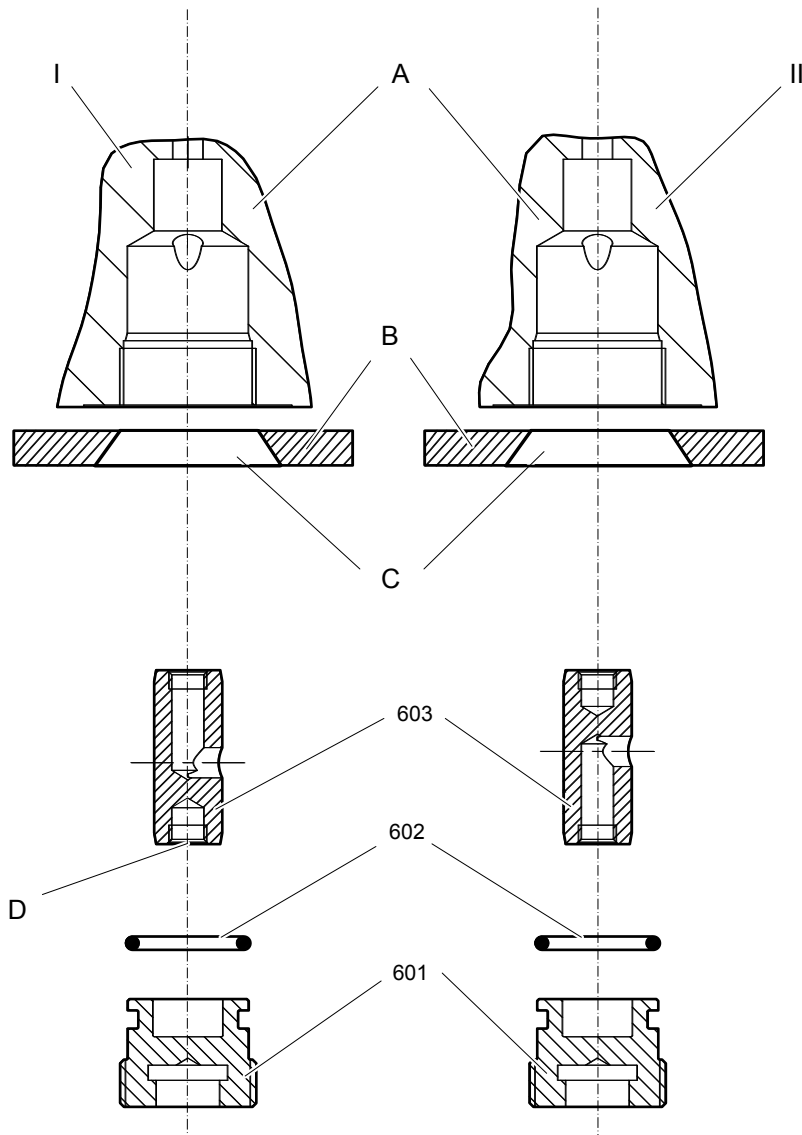
No.	Description	Remark	Quantity	Part number
370	Lock pin		1	3363 0330 51
401	Retainer bar		2	3360 9819 27
402	Bolt		2	3363 0330 27
403	Plug		4	3362 2629 25
404	Protective cap		1	3363 0660 28
480(481-487)	Lower breaker part complete	Note: When ordering a lower breaker part for DustProtector version it is imperative to order additionally the base for wiper (no. 18) and the wiper (no. 19).	1	3363 0895 04
481	Lower breaker part		1	-
482	Impact ring		1	3363 0690 77
483	Wear bush		1	3363 0691 93
484	Wear bush	steel bronze see chapter <i>Optional parts</i>	1	3363 0886 67
485	Bolt		2	3363 0330 27
486	Locking bush		4	3363 0330 43
487	Threaded insert		4	3363 0317 74

Connecting kit for ContiLube® II



No.	Description	Remark	Quantity	Part number
550(555-571)	Connecting kit		1	3363 0834 21
555	Support		1	3363 0689 37
556	Allen screw	secure all 4 allen screws with Loctite 243 screwed in the ContiLube® II	7	3360 1037 50
558	Pair of lock washers		7	3361 8505 96
559	Adapter	secure with Loctite 243	1	3363 0668 87
560	Adapter	secure with Loctite 243	1	3363 0687 45
561	Seal		2	3363 0669 51
562	Fitting	secure with Loctite 243	1	3363 0662 33
563	Fitting	secure with Loctite 243	1	3363 0662 34
564	Fitting	secure with Loctite 243	1	3363 0871 86
565	Fitting	secure with Loctite 243	1	3363 0871 85
570	Hydraulic hose	Grease line secure with Loctite 243 Route the hydraulic hoses as shown on the drawing. It must be ensured that the hydraulic hoses can move freely and are not in contact at any point.	1	3363 0838 74
571	Hydraulic hose	Oil line secure with Loctite 243 Route the hydraulic hoses as shown on the drawing. It must be ensured that the hydraulic hoses can move freely and are not in contact at any point.	1	3363 0838 78

StartSelect - AutoStart or AutoStop



No.	Description	Remark	Quantity	Part number
601	Plug		1	3363 0825 93
602	O-ring		1	3363 0832 45
603	Valve	StartSelect	1	3363 0825 05

I = AutoStop setting

II = AutoStart setting (standard setting on delivery)

- A. Port bore in cylinder
- B. Wall of breaker box
- C. Plug of breaker box
- D. M 10 thread (both ends) for mounting

The position of the StartSelect unit is shown on the percussion unit illustrations.

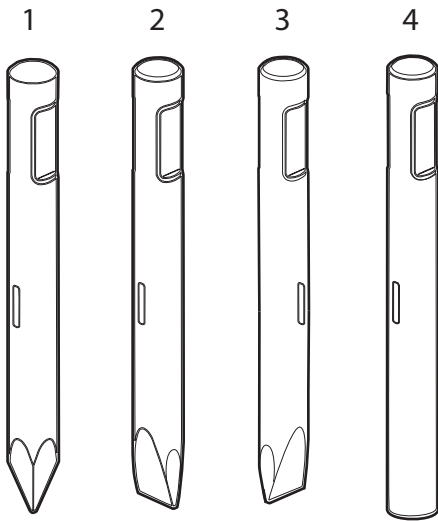
Optional parts

No.	Description	Remark	Quantity	Part number
11	Floating ring	steel	1	3363 0357 73
484	Wear bush	bronze	1	3363 0886 61

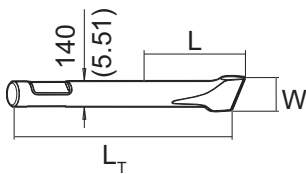
Tightening torques

No.	Description	Tightening torque	Remark
22	Allen screw	240 Nm	Allen key size 22
24	Nut	240 Nm	Socket spanner size 46
104	Allen screw	380 Nm	Allen key size 17
107	Threaded plug	300 Nm	Allen key size 24
114	Connecting screw	200 Nm	Allen key size 27
130	Non-return valve	200 Nm	Jaw spanner size 41
133	Allen screw	130 Nm	Allen key size 12
161	Fastening screw	350 Nm	Allen key size 14
181	Filling valve	130 Nm	Socket spanner size 22
182	Threaded plug	20 Nm	Allen key size 5
191	Tensioning bolt		Torque wrench or Power wrench size 55 1. Pretighten the tensioning bolts to 500 Nm, proceeding in a crosswise fashion, 2. then tighten each tensioning bolt through 120° (2 sides of hexagonal head) in a crosswise fashion, 3. finally tighten each tensioning bolt again through 150° (2.5 sides of hexagonal head) in a crosswise fashion.
556	Allen screw	85 Nm	Allen key size 10
559	Adapter	45 Nm	Open-ended wrench size 19
560	Adapter	55 Nm	Open-ended wrench size 19
562	Fitting	45 Nm	Open-ended wrench size 17, 19, 22
563	Fitting	55 Nm	Open-ended wrench size 19, 19, 22
564	Fitting	50 Nm	Open-ended wrench size 17, 22, 27
565	Fitting	60 Nm	Open-ended wrench size 19, 22, 27
570	Hydraulic hose grease line	16 Nm	Open-ended wrench size 17
571	Hydraulic hose oil line	42 Nm	Open-ended wrench size 19
601	Plug	200 Nm	Allen key size 17

Working tools



MB 1700



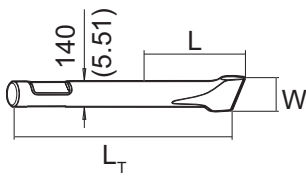
Metric

No.	Description	Remark	W (mm)	L (mm)	L _T (mm)	Wt (kg)	Part number
1	Moil point	ClassicLine		650	1200	125.0	3363 0822 35
1	Moil point	SilverLine		650	1200	127.0	3363 1034 24
2	Chisel (cross)	ClassicLine	140	650	1200	127.0	3363 0822 37
2	Chisel (cross)	SilverLine	140	650	1200	132.0	3363 1034 23
3	Chisel (parallel)	ClassicLine	140	650	1200	127.0	3363 0942 53
4	Blunt tool	ClassicLine		650	1200	140.0	3363 0822 39
4	Blunt tool	SilverLine		650	1200	141.0	3363 1043 41

Imperial

No.	Description	Remark	W (in.)	L (in.)	L _T (in.)	Wt (lb)	Part number
1	Moil point	ClassicLine		25.59	47.24	275.6	3363 0822 35
1	Moil point	SilverLine		25.59	47.24	280.0	3363 1034 24
2	Chisel (cross)	ClassicLine	5.51	25.59	47.24	280.0	3363 0822 37
2	Chisel (cross)	SilverLine	5.51	25.59	47.24	291.0	3363 1034 23
3	Chisel (parallel)	ClassicLine	5.51	25.59	47.24	280.0	3363 0942 53
4	Blunt tool	ClassicLine		25.59	47.24	308.6	3363 0822 39
4	Blunt tool	SilverLine		25.59	47.24	310.8	3363 1043 41

MB 1700 DustProtector



Metric

No.	Description	Remark	W (mm)	L (mm)	L _T (mm)	Wt (kg)	Part number
1	Moil point	ClassicLine		625	1200	125.0	3363 0822 35
1	Moil point	SilverLine		625	1200	127.0	3363 1034 24
2	Chisel (cross)	ClassicLine	140	625	1200	127.0	3363 0822 37
2	Chisel (cross)	SilverLine	140	625	1200	132.0	3363 1034 23
3	Chisel (parallel)	ClassicLine	140	625	1200	127.0	3363 0942 53
4	Blunt tool	ClassicLine		625	1200	140.0	3363 0822 39
4	Blunt tool	SilverLine		625	1200	141.0	3363 1043 41

Imperial

No.	Description	Remark	W (in.)	L (in.)	L _T (in.)	Wt (lb)	Part number
1	Moil point	ClassicLine		24.61	47.24	275.6	3363 0822 35
1	Moil point	SilverLine		24.61	47.24	280.0	3363 1034 24
2	Chisel (cross)	ClassicLine	5.51	24.61	47.24	280.0	3363 0822 37
2	Chisel (cross)	SilverLine	5.51	24.61	47.24	291.0	3363 1034 23
3	Chisel (parallel)	ClassicLine	5.51	24.61	47.24	280.0	3363 0942 53
4	Blunt tool	ClassicLine		24.61	47.24	308.6	3363 0822 39
4	Blunt tool	SilverLine		24.61	47.24	310.8	3363 1043 41

Accessories

Hydraulic hoses

Connecting hose with flange

Description	Remark	Quantity	Part number
Hose	I.D. 25 (1"), flange SAE 1 1/4" - 6000 PSI / JIC 1 5/8", length 2300 mm (91 in.)	2	3363 0870 15
Hose	I.D. 25 (1"), flange SAE 1 1/4" - 6000 PSI / JIC 1 5/8", length 2800 mm (110 in.)	2	3363 0870 16

Accessories to the connecting hoses (for two hoses)

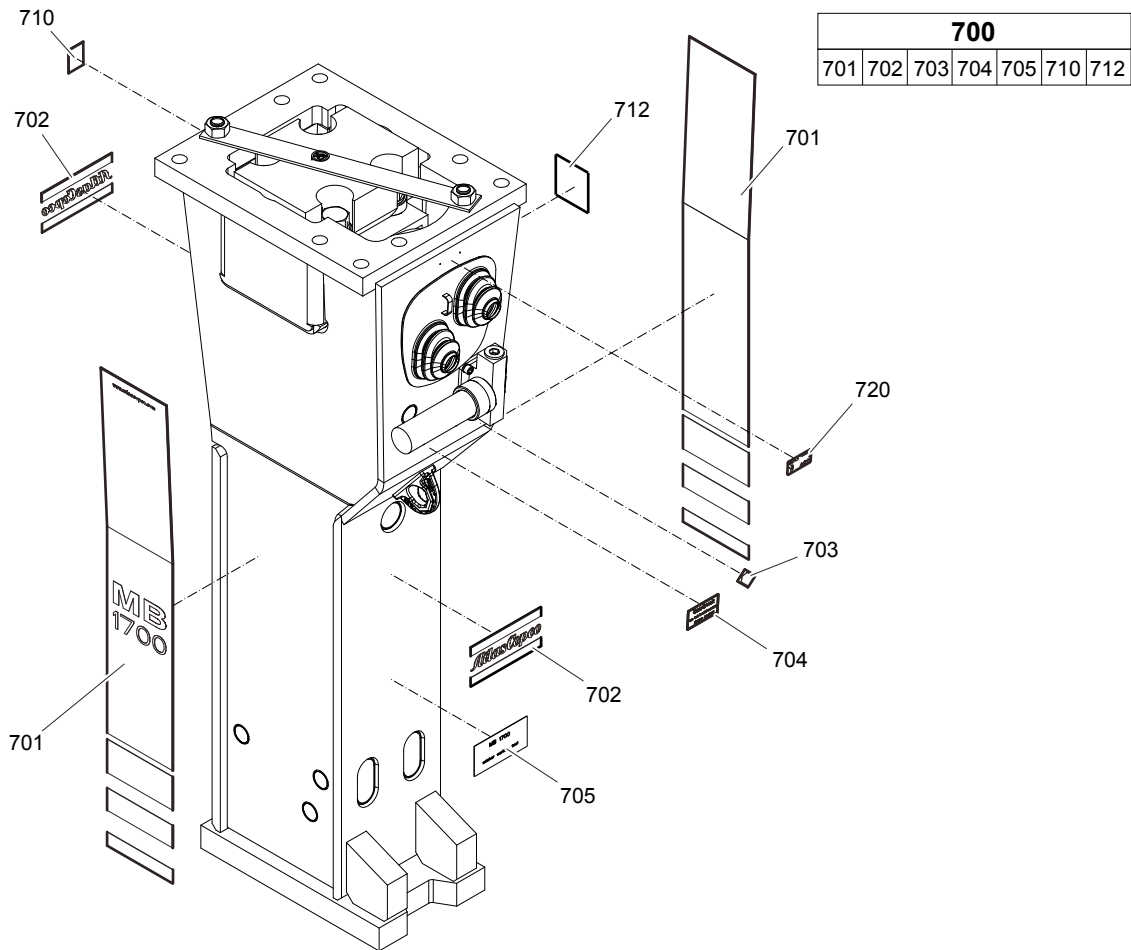
Description	Remark	Quantity	Part number
Allen screw		8	3360 1060 74
Seal		2	3363 0894 76
Threaded plug		4	3363 0669 63

Optional equipment

Description	Remark	Quantity	Part number
Chisel paste for ContiLube® II	12 x 500 g (1.1 lbs)	1	3363 0912 00
Grease gun for cartridge ContiLube® II		1	3363 0345 67
Grease nipple		1	3360 4337 74
Service box no. I with nitrogen cylinder	2 l 0.43 gal (0.53 US gal)	1	3363 0898 44
Service box no. III without nitrogen cylinder		1	3363 0949 40
Test gauge lower wear bush		1	3363 0674 13
Inside callipers upper wear bush		1	3363 0949 52
Adapter plate matching the carrier Consult the Atlas Copco Customer Center/Dealer in your area.		1	-
Base plate with threaded inserts		1	3363 0997 99
Bolt kit		1	3363 0873 03
Base plate with through borings		1	3363 1006 97
Bolt kit		1	3363 0945 75
Allen key	22 mm for bolt kit	1	3360 2094 45
Adapter kit for underwater applications		1	3363 0905 31
Piston retainer		1	3363 0929 81

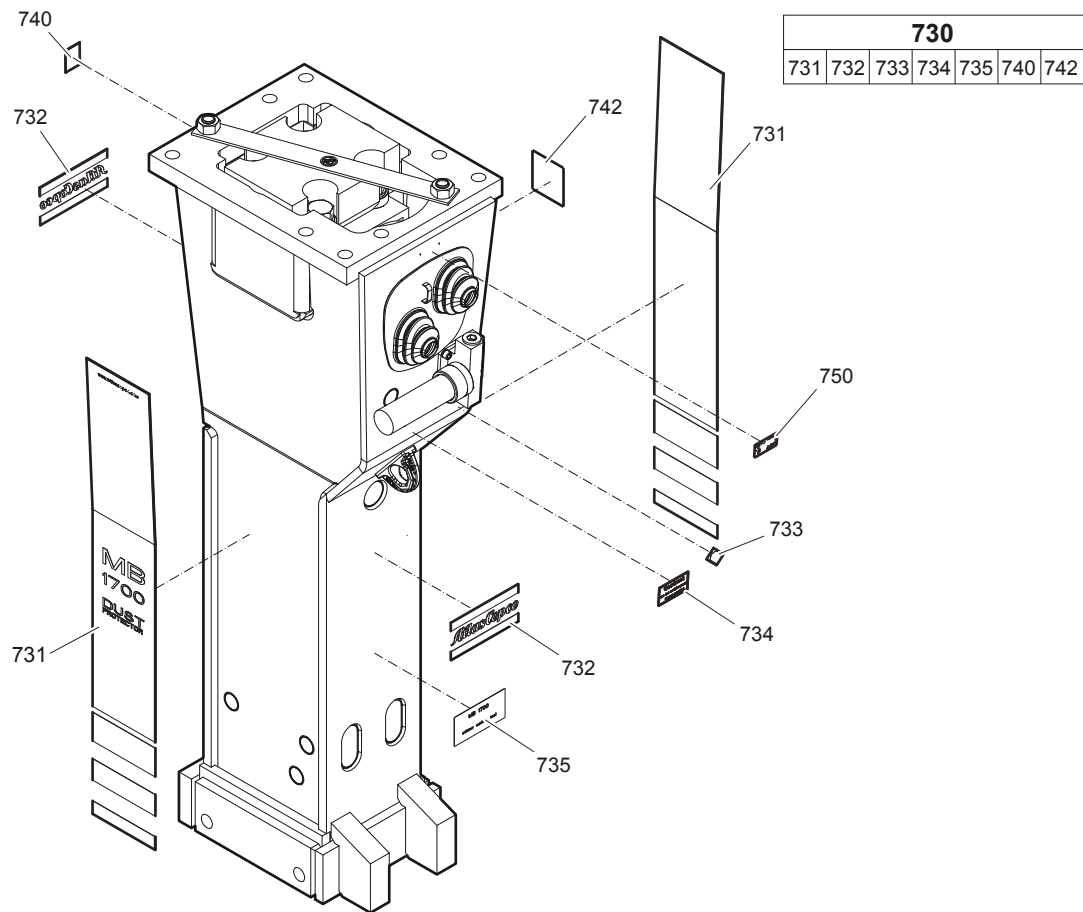
Kits

Label kit MB 1700



No.	Description	Remark	Quantity	Part number
700(701-712)	Label kit MB 1700		1	3363 0943 11
701	Product label	"MB 1700"	2	-
702	Product label	"Atlas Copco"	2	-
703	Lubricating symbol		1	-
704	Label gas pressure		2	-
705	Label working tools		1	-
710	Sound power label		1	-
712	Label AEM		1	-
720	Name plate	Consult the Atlas Copco Customer Center/Dealer in your area.	1	-

Label kit MB 1700 DustProtector



No.	Description	Remark	Quantity	Part number
730(731-742)	Label kit MB 1700 DP		1	3363 0943 12
731	Product label	"MB 1700 DP"	2	-
732	Product label	"Atlas Copco"	2	-
733	Lubricating symbol		1	-
734	Label gas pressure		2	-
735	Label working tools		1	-
740	Sound power label		1	-
742	Label AEM		1	-
750	Name plate	Consult the Atlas Copco Customer Center/Dealer in your area.	1	-

Seal kit

No.	Description	Remark	Quantity	Part number
	Seal kit		1	3363 0343 11
103	O-ring		1	3360 3143 75
108	O-ring		1	3360 3143 70
115	O-ring		1	3360 4781 71
132	O-ring		2	3360 3143 7
164	O-ring		1	3361 0319 12
165	Back-up ring		1	3361 8505 29
166	O-ring		1	3361 0319 90
182	Plug		1	3360 4784 26
183	O-ring		1	3360 1751 25
201	Seal		1	3363 0318 72
202	O-ring		2	3360 4797 21
203	Seal		2	3363 0319 73
204	O-ring		2	3360 4781 69
205	Back-up ring		4	3363 0843 61
304	O-ring		1	3362 3281 26
307	Seal		1	3362 2675 57
308	Wiper		1	3363 0836 68
309	Seal		7	3362 2675 84
310	Seal		4	3362 2675 89
390	Seal kit		1	3362 2638 22
391	Seal		1	-
392	Back-up ring		1	-

Seal kit for swivel joint (ContiLube® II)

No.	Description	Remark	Quantity	Part number
	Seal kit		1	3363 0917 32

Plastic parts kit

No.	Description	Remark	Quantity	Part number
	Plastic parts kit		1	3363 0859 40
2	Elastic pad		1	3363 0334 67
3	Shock absorber		2	3363 0334 65
4	Guide plate		2	3363 0357 95
5	Guide plate		1	3363 0357 93
6	Guide plate		1	3363 0841 99

Tensioning bolt kit

No.	Description	Remark	Quantity	Part number
	Tensioning bolt kit		1	3363 0982 17
191	Tensioning bolt		2	3363 0990 37
192	Washer		2	3363 0977 73
487	Threaded insert		2	3363 0317 74
	Anti-Seize 120 g		1	3363 0943 00

DustProtector kit

No.	Description	Remark	Quantity	Part number
	DustProtector kit		1	3363 0943 86
11	Floating ring		1	3363 0706 61
12	Counter ring		1	3363 0357 75
13	Guide ring		1	3363 0357 77
14	Bolt		2	3363 0697 71
15	Locking bush		2	3363 0330 43

Noise protection kit

No.	Description	Remark	Quantity	Part number
	Noise protection kit		1	3363 0980 61
31	Cover		1	3363 0335 51
32	Plug		2	3363 0860 11
33	Plug		13	3363 0860 15
34	Plug		1	3363 0860 17

Lower breaker part kit (steel)

No.	Description	Remark	Quantity	Part number
	Lower breaker part kit	MB 1700 with lower wear bush steel	1	3363 0943 71
401	Retainer bar		2	3360 9819 27
402	Bolt		2	3363 0330 27
403	Plug		4	3362 2629 25
482	Impact ring		1	3363 0690 77
483	Wear bush		1	3363 0691 93
484	Wear bush	steel	1	3363 0886 67
485	Bolt		2	3363 0330 27
486	Locking bush		4	3363 0330 43
	Chisel paste		1	3315 0381 00
	Test gauge		1	3363 0674 13

Lower breaker part kit DustProtector (steel)

No.	Description	Remark	Quantity	Part number
	Lower breaker part kit	MB 1700 DustProtector with lower wear bush steel	1	3363 0943 72
18	Base for wiper		1	3363 0886 59
19	Wiper		1	3363 0660 69
401	Retainer bar		2	3360 9819 27
402	Bolt		2	3363 0330 27
403	Plug		4	3362 2629 25
482	Impact ring		1	3363 0690 77
483	Wear bush		1	3363 0691 93
484	Wear bush	steel	1	3363 0886 67
485	Bolt		2	3363 0330 27
486	Locking bush		4	3363 0330 43
	Chisel paste		1	3315 0381 00
	Test gauge		1	3363 0674 13

Fastening screw kit

No.	Description	Remark	Quantity	Part number
	Fastening screw kit		1	3363 0980 88
161	Fastening screw		6	3363 0704 90
163	Pair of lock washers		6	3361 3337 03
172	Threaded insert		6	3361 0319 89

Accumulator repair kit

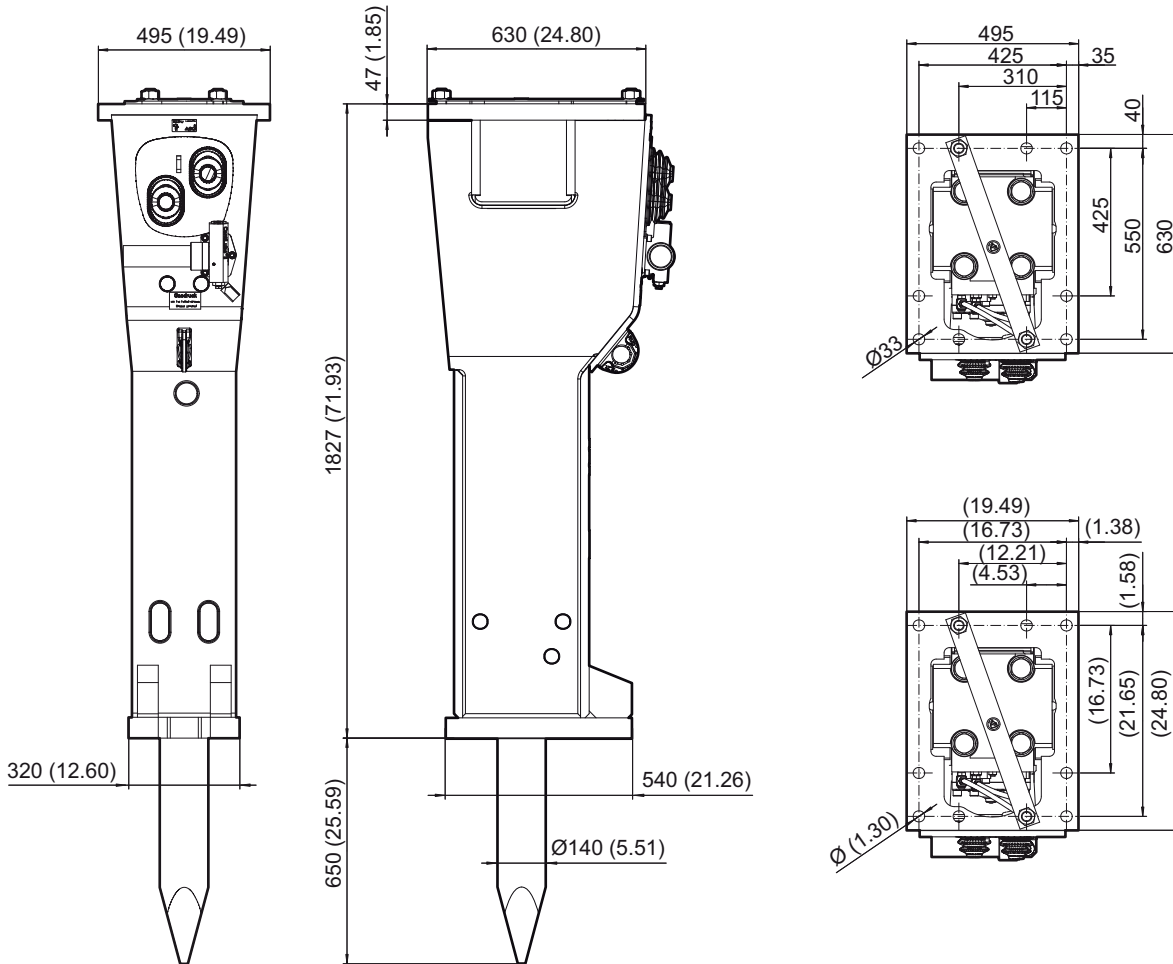
Accumulators are pressure containers in the context of the European Pressure Equipment Directive 97/23/EC. You have to observe all safety instructions comply with the laws and all national/regional regulations of your country if you repair accumulators.

No.	Description	Remark	Quantity	Part number
	Accumulator repair kit		1	3363 0898 49
	Diaphragm		1	3362 2616 47
	Filling screw		1	3360 3322 59
	O-ring		1	3360 3144 60
	Protective cap		1	3361 3350 25
	O-ring		1	3361 0319 12
	Back-up ring		1	3361 8505 29

Dimensions

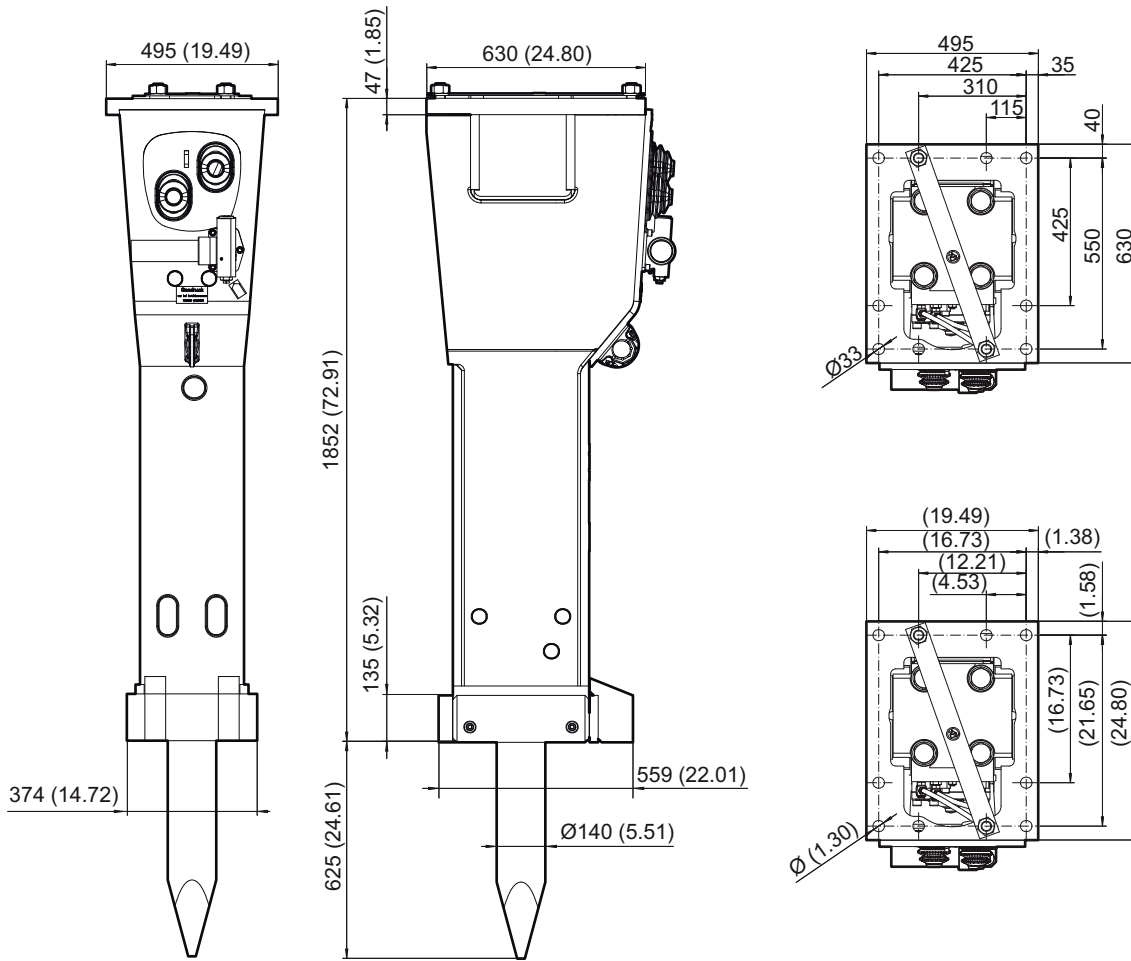
Dimensions MB 1700

mm (inch)



Dimensions MB 1700 DustProtector

mm (inch)





Any unauthorized use or copying of the contents or any part thereof is prohibited.
This applies in particular to trademarks, model denominations, part numbers, and drawings.

© 2013 Atlas Copco Construction Tools GmbH | No. 3390 7037 01 | 2013-04-03