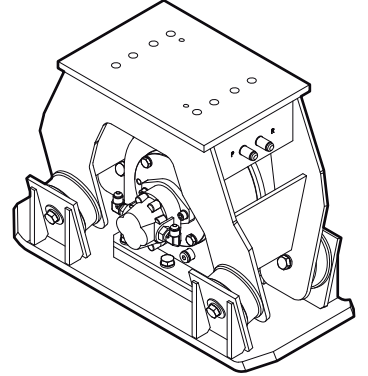


## Spare parts list Hydraulic compactor

	Valid from serial number
HC 150	BGF022383





# Contents

- General information ..... 5
- Spare parts list ..... 6
  - Hydraulic compactor ..... 6
- Tightening torques ..... 8
- Accessories ..... 9
  - Hydraulic hoses ..... 9
  - Optional equipment ..... 9
- Kits ..... 10
  - Label kit ..... 10
  - Seal kit (Hydraulic motor) ..... 10
  - Rubber isolator kit ..... 10
- Dimensions ..... 11



## General information

This spare parts list applies to the following:

Part number	Description
1826 1017 46	Hydraulic compactor HC 150

Use only authorized parts. Any damage or malfunction caused by the use of unauthorized parts is not covered by Warranty or Product Liability. Any unauthorized use or copying of the contents or any part thereof is prohibited. This applies in particular to trademarks, model denominations, part numbers, and drawings.

### Instructions for use

This spare parts list contains no safety regulations and is merely intended to assist in the ordering of spare parts.

For information about operating, servicing, or repairing, the relevant Safety and operating instructions must be consulted at all costs.

Please observe the safety instructions listed in the relevant Safety and operating instructions!

### Instructions of ordering

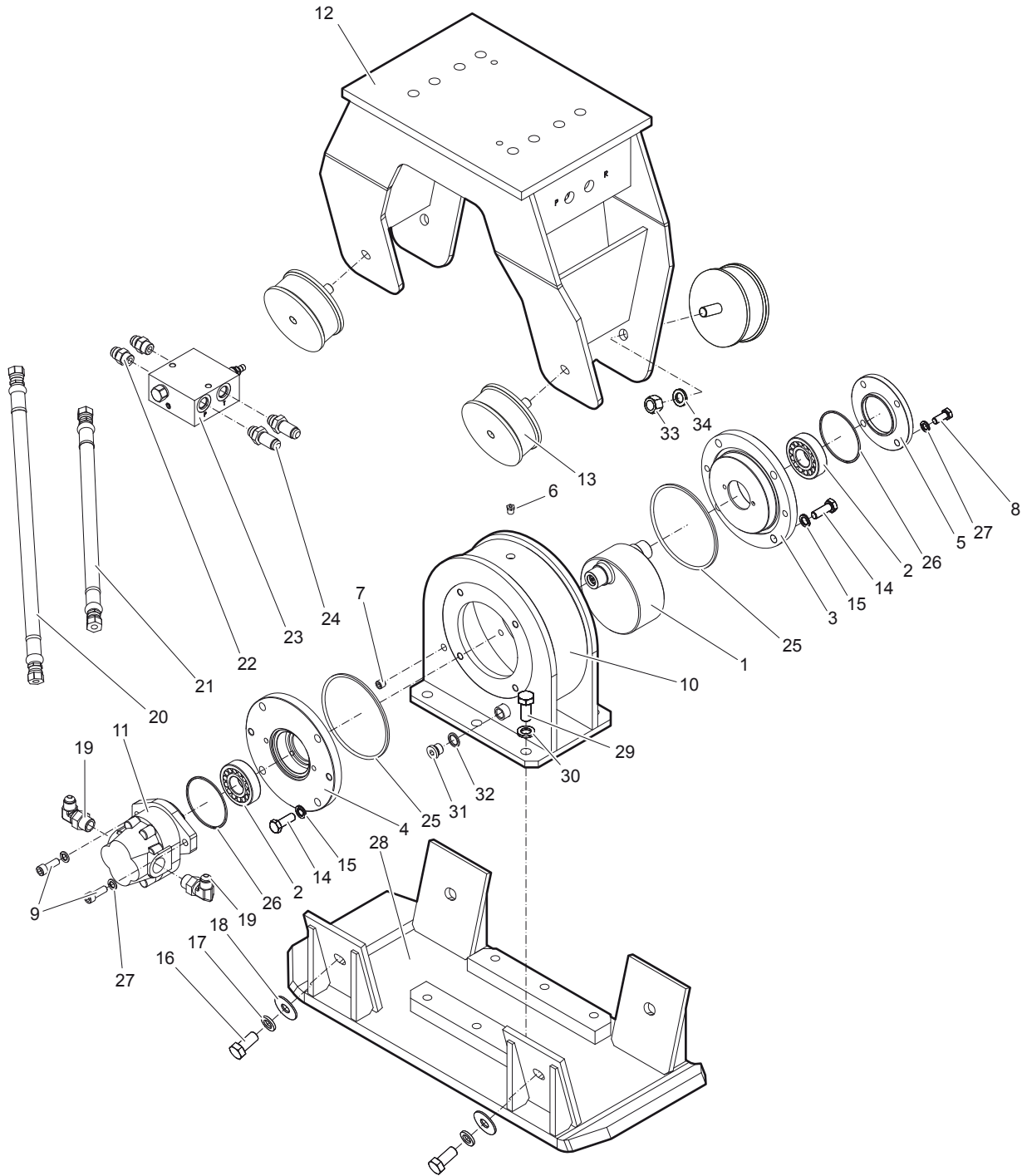
It is essential to indicate the serial number of the hydraulic attachment when ordering spare parts!

Determine the quantity of individual parts which are required and need to be ordered. The order must indicate the following details:

- full identification code of the hydraulic attachment
- required quantity
- part number
- description

# Spare parts list

## Hydraulic compactor



No.	Description	Remark	Quantity	Part number
1	Rotor		1	3376 6890 04
2	Bearing		2	3376 1007 51
3	Bearing retainer		1	3376 6950 12
4	Bearing retainer		1	3376 6950 11
5	Bearing cover		1	3376 6950 13
6	Air breather valve		1	3376 1007 79
7	Threaded plug		1	3371 8131 41
8	Hexagon head bolt		4	3378 0341 02
9	Hexagon head bolt		2	3371 8207 15
10	Rotor housing		1	3376 6951 09
11	Hydraulic motor		1	3376 1008 33
12	Outer housing		1	3376 6951 06
13	Rubber isolator		4	3376 1009 07
14	Hexagon head bolt		8	3376 1001 70
15	Washer		8	3371 8067 05
16	Hexagon head bolt		4	3378 3025 01
17	Lock washer		4	3376 1001 43
18	Washer		4	3376 1007 53
19	Elbow joint 90°		2	3376 1007 50
20	Hydraulic hose		1	3376 1014 84
21	Hydraulic hose		1	3376 1015 18
22	Fitting, straight ¼ UNF 37° - JIC ½ male		2	3376 1007 47
23	Valve block, ¼ UNF female ports		1	3376 6890 07
24	Fitting, bulkhead ¾ UNF 37° - JIC ½ male		2	3376 1007 48
25	O-ring		2	3376 1000 74
26	O-ring		2	3376 1007 84
27	Washer		6	3376 1006 23
28	Tamper plate		1	3376 6951 03
29	Hexagon head bolt		6	3378 3025 01
30	Lock washer		6	3376 1001 43
31	Plug		1	3371 8037 07
32	Seal ring		1	3377 0163 75
33	Nut		4	3371 8167 06
34	Washer		4	3371 8167 12

## Tightening torques

No.	Description	Tightening torque	Remark
6	Open-ended wrench	pretighten finger tight, then 1 - 2 turns tighten with the open-ended wrench	
7	Allen key	pretighten finger tight, then 1 - 2 turns tighten with the Allen key	
9	Open-ended wrench	54 Nm	
14	Open-ended wrench	54 / 93 Nm	
16	Open-ended wrench	230 Nm	
29	Open-ended wrench	230 Nm	
31	Allen key	30.5 Nm	
33	Open-ended wrench	185 Nm	



## Accessories

### Hydraulic hoses

Description	Remark	Quantity	Part number
Hydraulic hose	I.D. 12 (0.47"), both ends M 22 x 1.5 conical seal 24°, length 1750 mm (69 in.)	2	3361 3535 51
Hydraulic hose	I.D. 12 (0.47"), both ends M 22 x 1.5 conical seal 24°, length 2100 mm (83 in.)	2	3363 0859 46

#### Note

You need a special fitting set when using these hose connections. The fitting set must be ordered separately. Accessories to the hydraulic hoses

Description	Remark	Quantity	Part number
Fitting set		1	3363 0982 86

#### Note

Remove the genuine fittings carrier side from the valve block before mounting the fitting set.

### Optional equipment

Description	Remark	Quantity	Part number
Cobra & Compactor Impact-Oil	1 x 1 l (0.22 gal) (0.26 US gal)	1	9234 0012 03
Cobra & Compactor Impact-Oil	20 x 1 l (0.22 gal) (0.26 US gal)	1	9234 0014 05
Adapter plate matching the carrier	Consult the Atlas Copco Customer Center/Dealer in your area.	1	-
Base plate with through borings		1	3315 3226 00
Bolt kit		1	3315 3221 00
Open end spanner	24/27 mm for bolt kit	1	3360 4306 55

## Kits

### Label kit

No.	Description	Remark	Quantity	Part number
	Label kit		1	3376 6950 31

### Seal kit (Hydraulic motor)

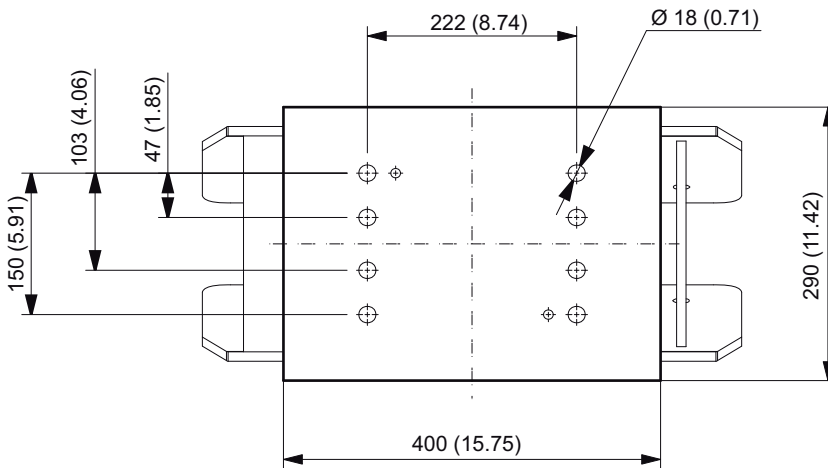
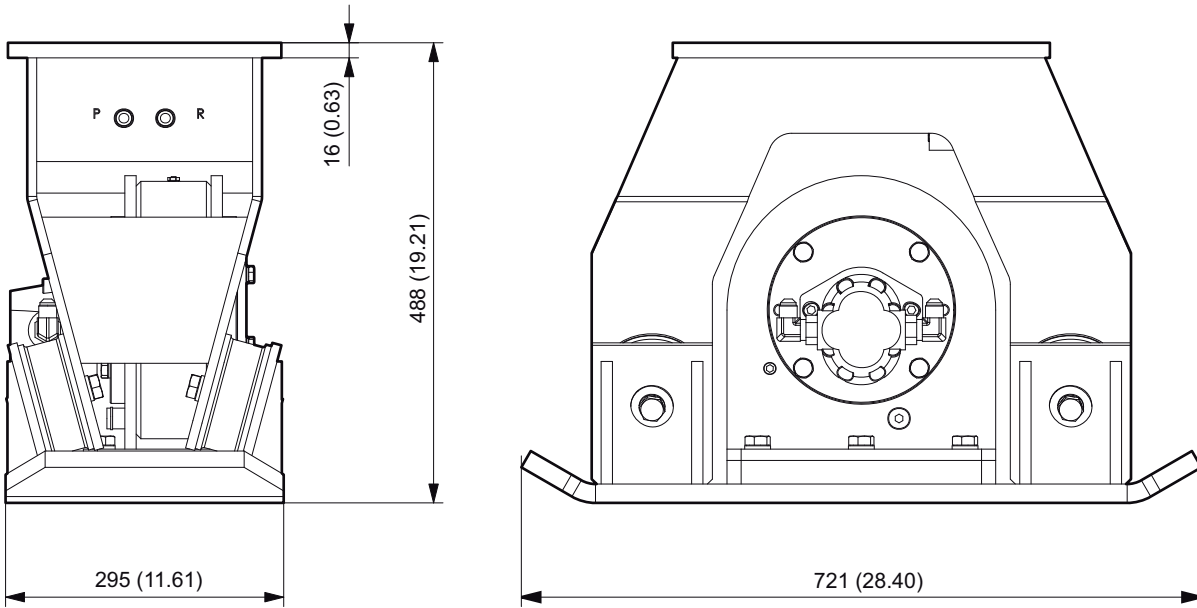
No.	Description	Remark	Quantity	Part number
	Seal kit (Hydraulic motor)		1	3376 6950 36

### Rubber isolator kit

No.	Description	Remark	Quantity	Part number
	Rubber isolator kit		1	3376 6950 32
13	Rubber isolator		4	3376 1009 07
16	Hexagon head bolt		4	3378 3025 01
17	Lock washer		4	3376 1001 43
18	Washer		4	3376 1007 53
33	Nut		4	3371 8167 06
34	Washer		4	3371 8167 12

# Dimensions

mm (inch)













Any unauthorized use or copying of the contents or any part thereof is prohibited.  
This applies in particular to trademarks, model denominations, part numbers, and drawings.

© 2013 Atlas Copco Construction Tools GmbH | No. 3390 7561 01 | 2013-04-10