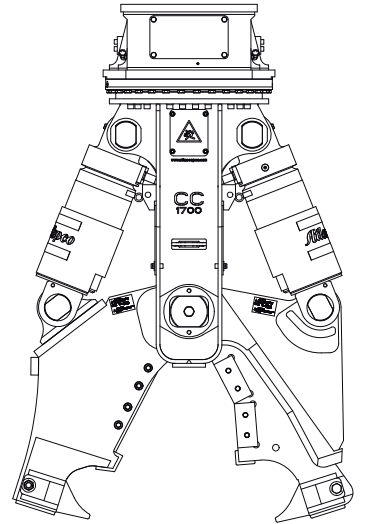


## Spare parts list

### Hydraulic demolition cutter

	Valid from serial number
CC 1700 U	DEQ129120
CC 1700 S	DEQ129120





# Contents

General information .....	5
Spare parts list .....	6
Hydraulic demolition cutter .....	6
Hydraulic cylinder .....	8
Protective piston rod sheath .....	10
Cutter jaw pair U complete .....	12
Cutter jaw (single) U .....	14
Cutter jaw (double) U .....	16
Cutter jaw pair S complete .....	18
Cutter jaw (single) S .....	20
Cutter jaw (double) S .....	22
Upper part complete .....	24
Rotary transmission .....	26
Tightening torques .....	28
Accessories .....	29
Hydraulic hoses .....	29
Optional equipment .....	29
Kits .....	30
Label kit .....	30
Hoses (casing) kit .....	30
Cutter blades kit U .....	30
Cutter blades kit S .....	30
Tip of tooth kit .....	31
Sliding plate kit .....	31
Seal kit (Hydraulic motor housing) .....	31
Seal kit (Hydraulic motor) .....	31
Seal kit for rapid movement valve .....	31
Dimensions .....	32
Dimensions CC 1700 U .....	32
Dimensions CC 1700 S .....	33



## General information

This spare parts list applies to the following:

Part number	Description
3363 0935 41	Hydraulic demolition cutter CC 1700 U
3363 0935 51	Hydraulic demolition cutter CC 1700 S

Use only authorized parts. Any damage or malfunction caused by the use of unauthorized parts is not covered by Warranty or Product Liability. Any unauthorized use or copying of the contents or any part thereof is prohibited. This applies in particular to trademarks, model denominations, part numbers, and drawings.

### Instructions for use

This spare parts list contains no safety regulations and is merely intended to assist in the ordering of spare parts.

For information about operating, servicing, or repairing, the relevant Safety and operating instructions must be consulted at all costs.

Please observe the safety instructions listed in the relevant Safety and operating instructions!

### Instructions of ordering

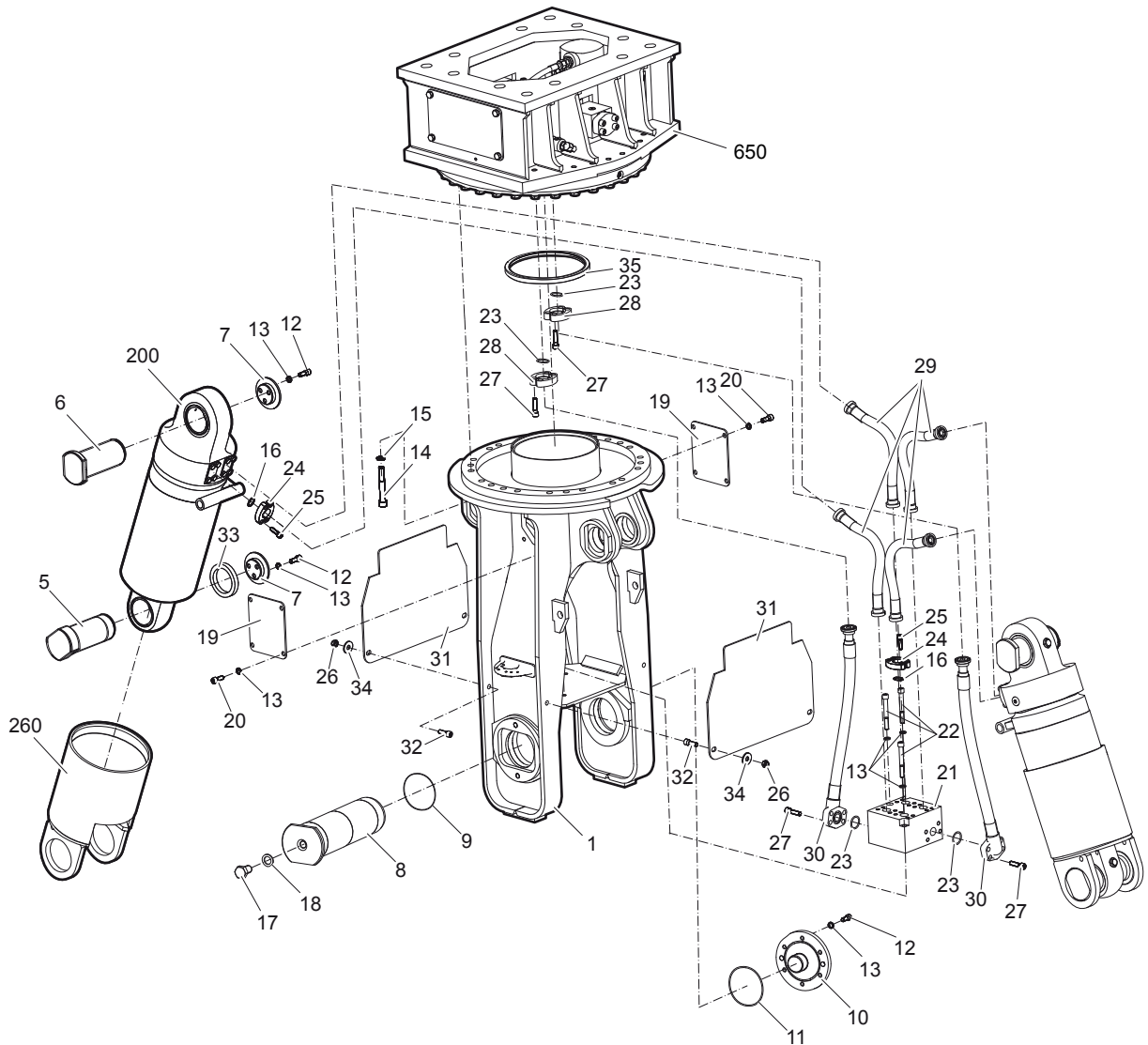
It is essential to indicate the serial number of the hydraulic attachment when ordering spare parts!

Determine the quantity of individual parts which are required and need to be ordered. The order must indicate the following details:

- full identification code of the hydraulic attachment
- required quantity
- part number
- description

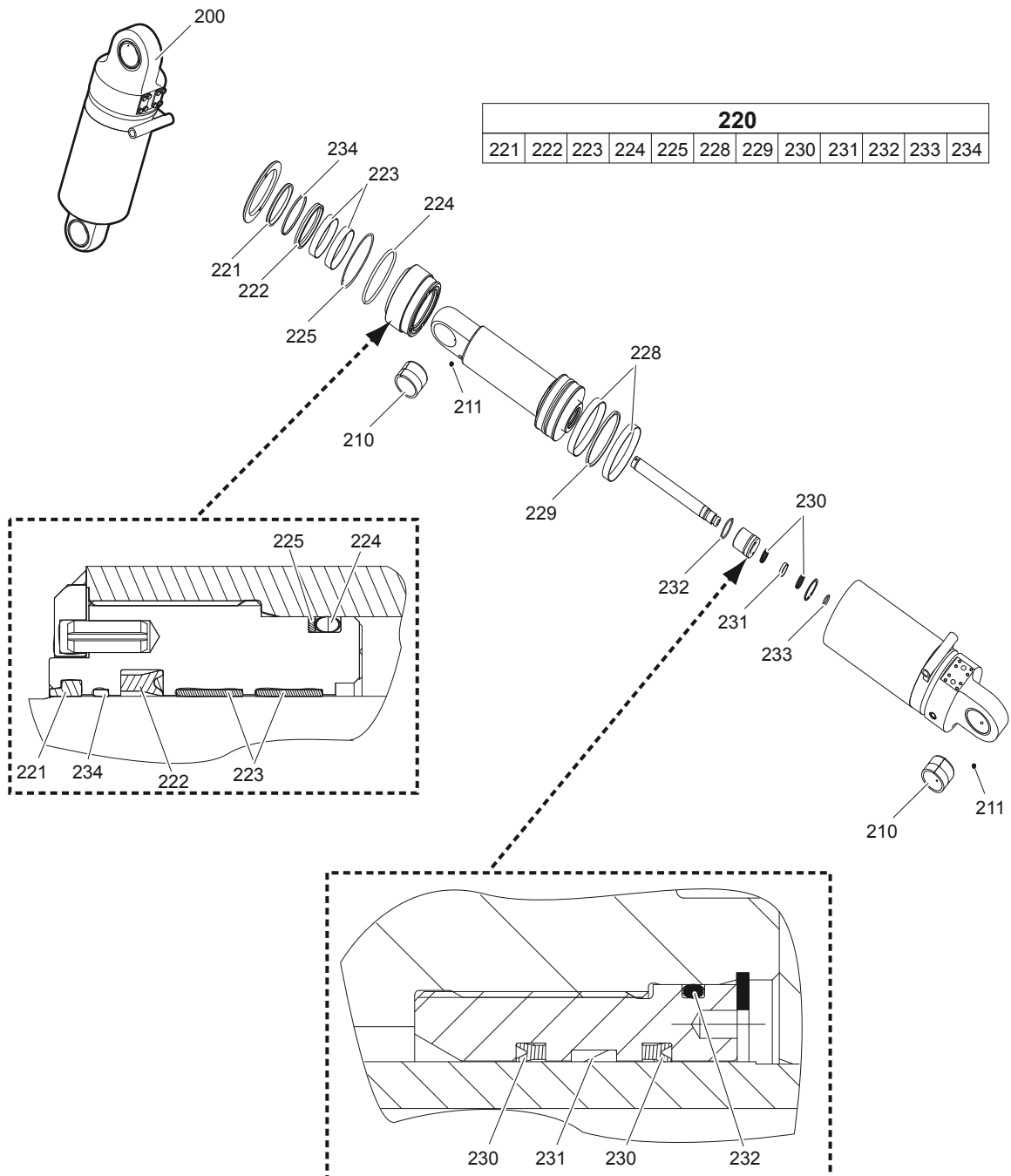
# Spare parts list

## Hydraulic demolition cutter



No.	Description	Remark	Quantity	Part number
1	Housing		1	3363 0907 05
5	Bolt		2	3363 1136 57
6	Bolt		2	3363 1136 56
7	Cap		4	3363 1138 28
8	Bolt		1	3363 0921 09
9	O-ring		1	3363 0910 48
10	Cap		1	3363 0921 29
11	O-ring		1	3360 3146 64
12	Allen screw		15	3360 1037 51
13	Pair of lock washers		26	3361 8505 96
14	Allen screw		24	3362 3280 98
15	Pair of lock washers		24	3361 3337 03
16	O-ring		8	3360 3145 49
17	Hexagon head screw		1	3363 0910 95
18	Pair of lock washers		1	3361 8507 46
19	Plate		2	3362 2623 71
20	Allen screw		8	3360 1037 51
21	Rapid movement valve		1	3363 1036 89
22	Allen screw		3	3360 1184 45
23	O-ring		4	3360 3143 70
24	Flange half		16	3360 9956 64
25	Allen screw		32	3360 0263 93
26	Nut		4	3360 4305 81
27	Allen screw		16	3360 0265 13
28	Flange half		4	3361 8532 08
29	Hydraulic hose		4	3363 0910 93
30	Hydraulic hose		2	3363 0910 94
31	Plate		2	3363 0921 31
32	Allen screw		4	3360 0265 11
33	Spacer ring		2	3363 0937 35
34	Disk		4	3362 3280 82
35	Seal		1	3362 2676 80
200	Hydraulic cylinder complete	see separate chapter	2	3363 0989 44
260	Protective piston rod sheath complete	see separate chapter	2	3363 0989 64
650	Upper part complete	see separate chapter	1	3363 1002 33

# Hydraulic cylinder

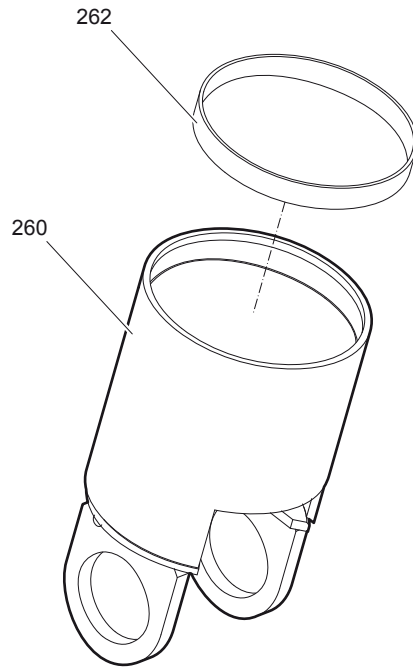




No.	Description	Remark	Quantity	Part number
200	Hydraulic cylinder complete	with parts No. 210 to 234	1	3363 0989 44
210	Clamping bush		2	3363 0919 60
211	Grease nipple		2	3360 2098 34
<b>220(221-234)</b>	<b>Seal kit for hydraulic cylinder</b>		1	3363 0910 32
221	Wiper		1	-
222	Seal		1	-
223	Seal		2	-
224	O-ring		1	-
225	Back-up ring		1	-
228	Guide ring		2	-
229	Seal		1	-
230	Seal		2	-
231	Guide ring		1	-
232	O-ring		1	-
233	O-ring		1	-
234	Guide ring		1	-

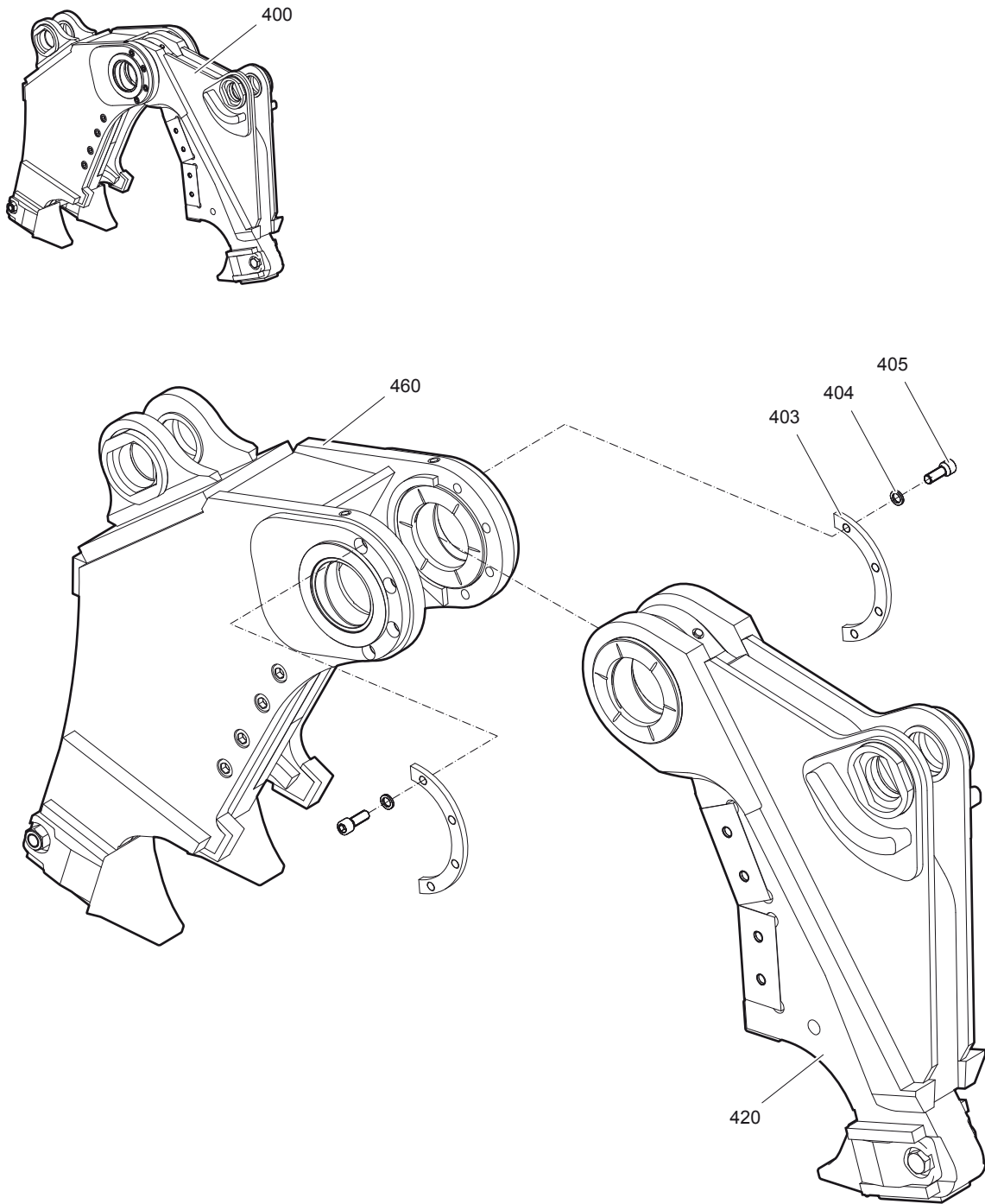
## Protective piston rod sheath

---



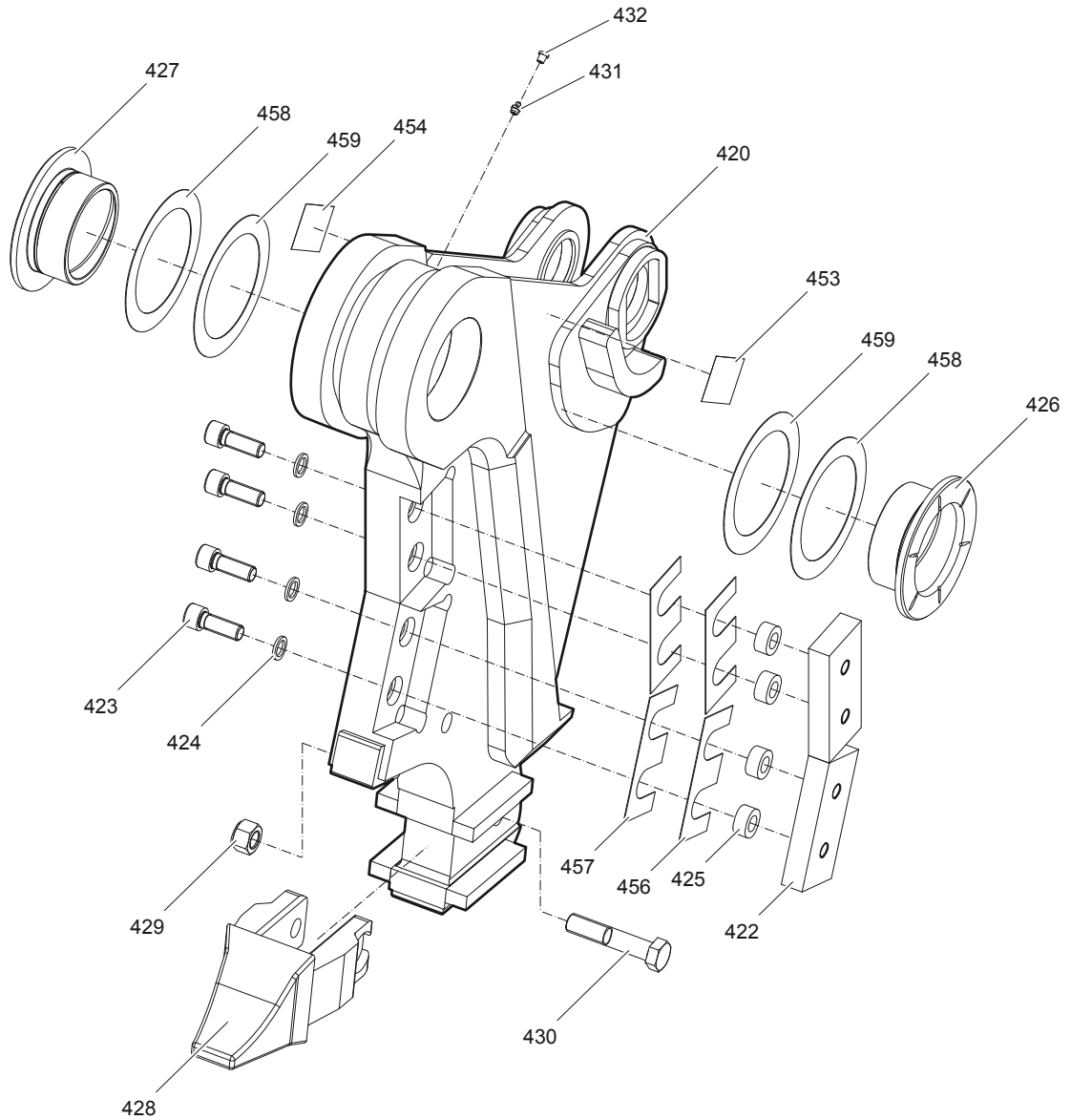
No.	Description	Remark	Quantity	Part number
260	Protective piston rod sheath complete	with part no. 262	1	3363 0989 64
262	Guide strip		1	3363 0888 73

# Cutter jaw pair U complete



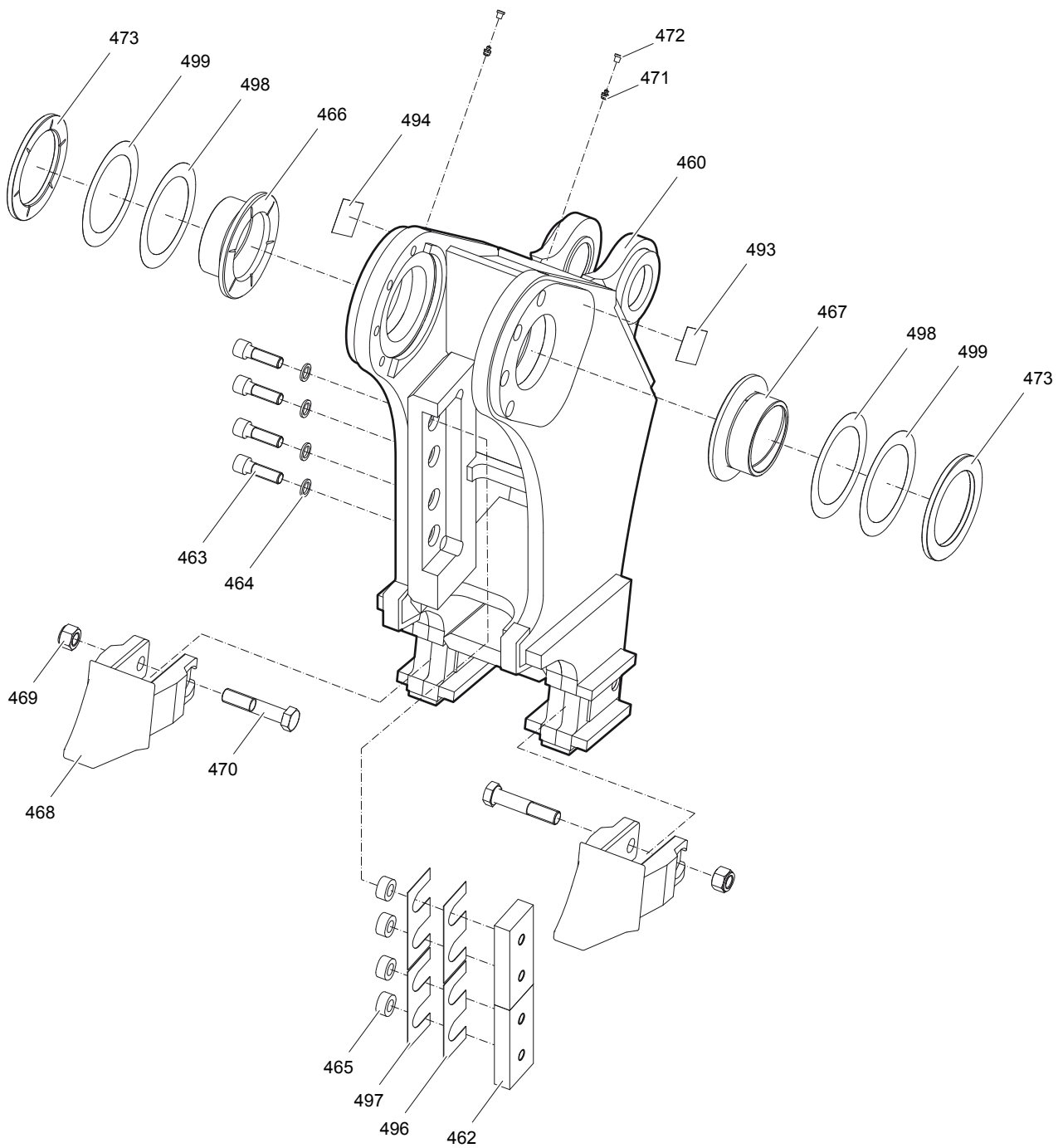
No.	Description	Remark	Quantity	Part number
400	Cutter jaw pair U complete	with parts no. 403 - 460	1	3363 0989 40
403	Ring segment		2	3363 0921 05
404	Pair of lock washers		8	3361 3337 03
405	Allen screw		8	3360 0266 41
420	Cutter jaw (single) U	see separate chapter	1	3363 0989 41
460	Cutter jaw (double) U	see separate chapter	1	3363 0989 42

# Cutter jaw (single) U



No.	Description	Remark	Quantity	Part number
420	Cutter jaw (single) U		1	3363 0989 41
422	Cutter blade		2	3363 0864 79
423	Allen screw		4	3362 3280 57
424	Pair of lock washers		4	3361 8507 48
425	Lock ring		4	3363 0351 07
426	Bearing bush		1	3363 0921 37
427	Bearing bush		1	3363 0921 39
428	Tip of tooth	with no. 429 and 430	1	3363 0989 68
429	Nut		1	3363 0989 34
430	Hexagon head screw		1	3363 0839 62
431	Grease nipple		1	3360 2098 34
432	Cap		1	3363 0876 00
453	Label tightening torque	German/English	1	3362 2687 51
454	Label tightening torque	Spanish/French	1	3363 0667 50
456	Shim	0.2 mm (0.01 in.) thick, as required	2	3363 0881 49
457	Shim	1.0 mm (0.04 in.) thick, as required	2	3363 0876 07
458	Spacer ring	1.0 mm (0.04 in.) thick, as required	2	3363 0921 41
459	Spacer ring	0.2 mm (0.01 in.) thick, as required	2	3363 0910 56

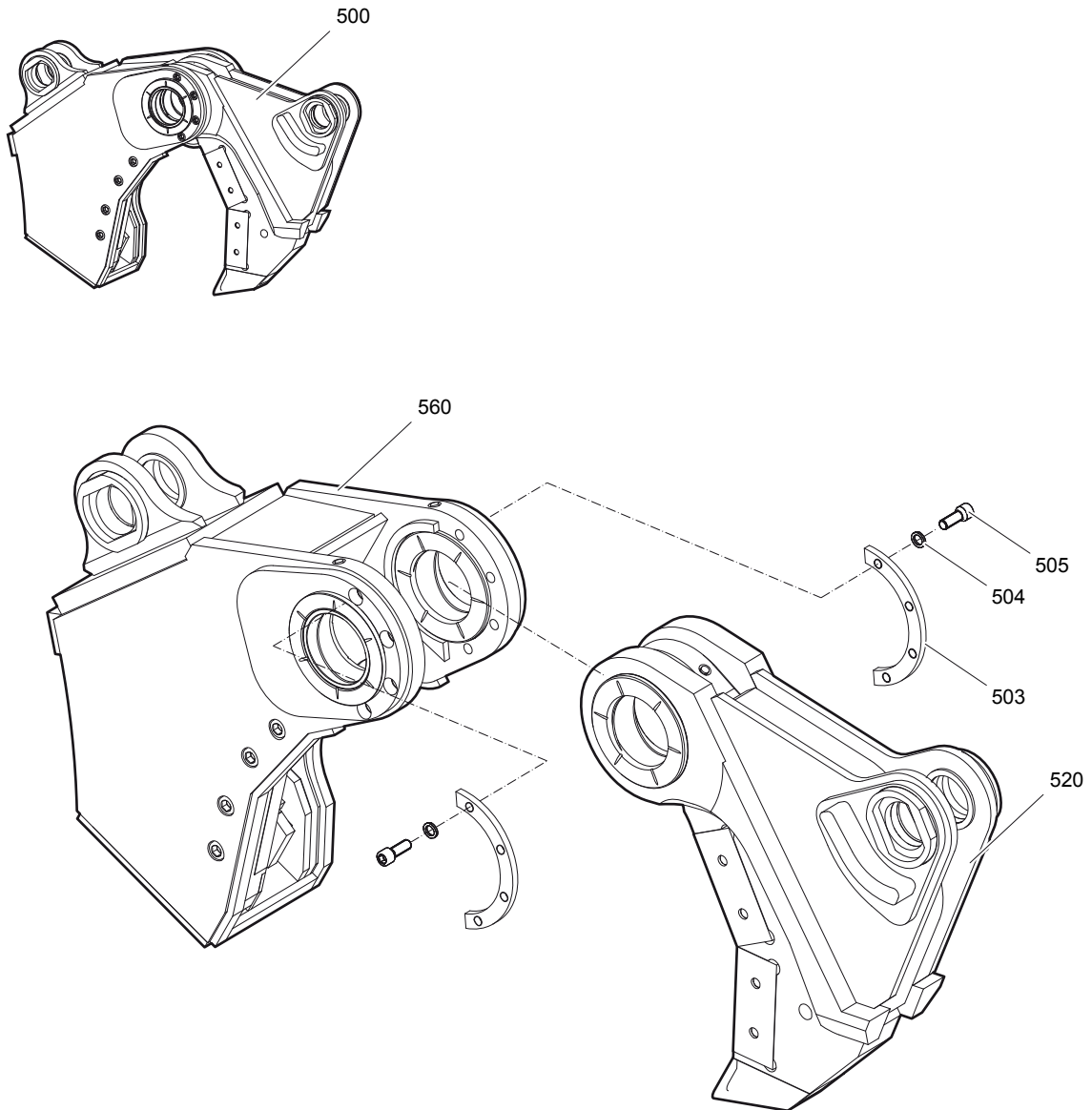
# Cutter jaw (double) U





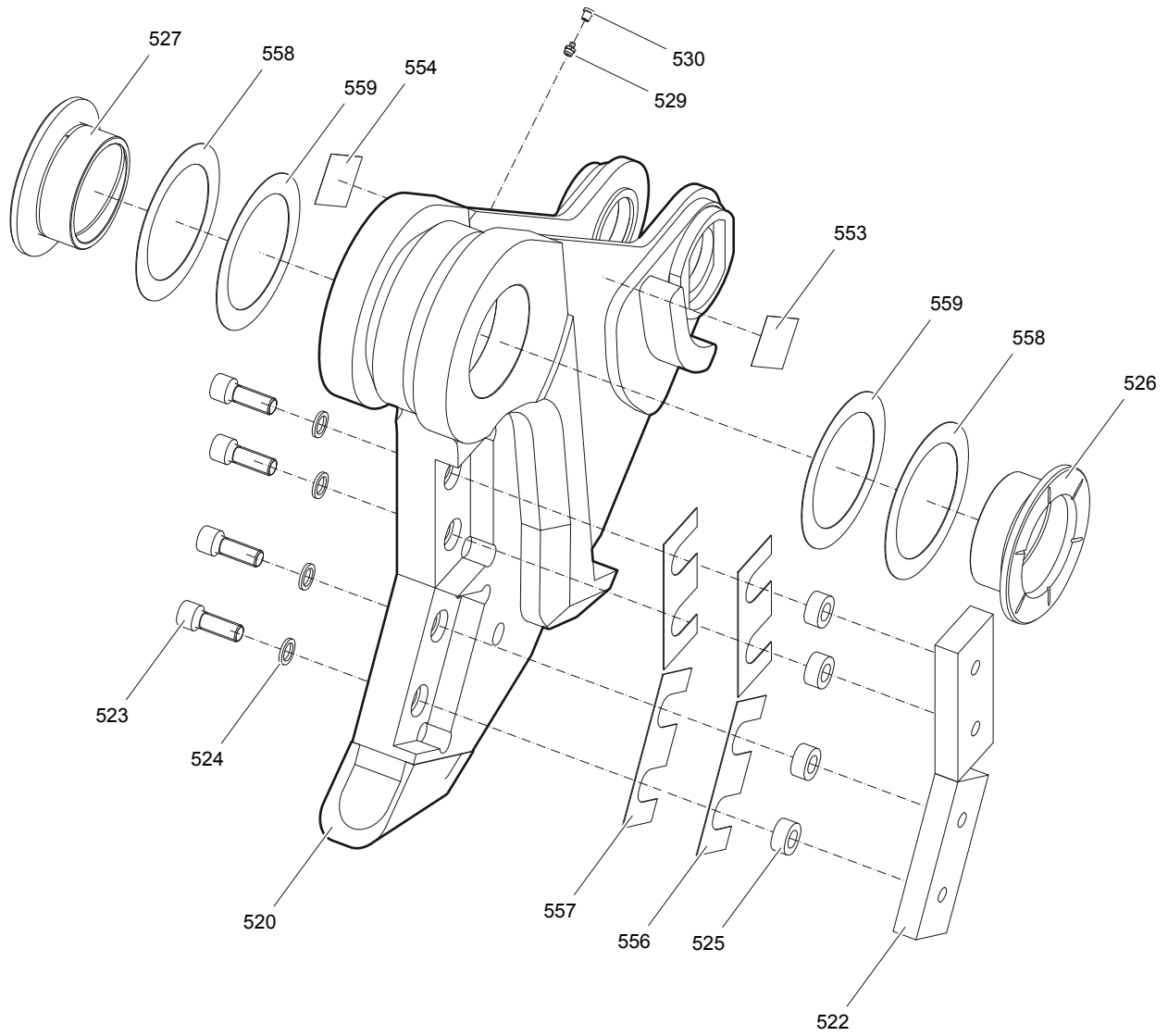
No.	Description	Remark	Quantity	Part number
460	Cutter jaw (double) U		1	3363 0989 42
462	Cutter blade		2	3363 0864 79
463	Allen screw		4	3362 3284 81
464	Pair of lock washers		4	3361 8507 48
465	Lock ring		4	3363 0351 07
466	Bearing bush		1	3363 0921 37
467	Bearing bush		1	3363 0921 39
468	Tip of tooth	with no. 469 and 470	2	3363 0989 68
469	Nut		2	3363 0989 34
470	Hexagon head screw		2	3363 0839 62
471	Grease nipple		2	3360 2098 34
472	Cap		2	3363 0876 00
473	Wear ring		2	3362 2683 49
493	Label tightening torque	German/English	1	3362 2687 51
494	Label tightening torque	Spanish/French	1	3363 0667 50
496	Shim	0.2 mm (0.01 in.) thick, as required	2	3363 0881 49
497	Shim	1.0 mm (0.04 in.) thick, as required	2	3363 0876 07
498	Spacer ring	1.0 mm (0.04 in.) thick, as required	2	3363 0921 41
499	Spacer ring	0.2 mm (0.01 in.) thick, as required	2	3363 0910 56

# Cutter jaw pair S complete



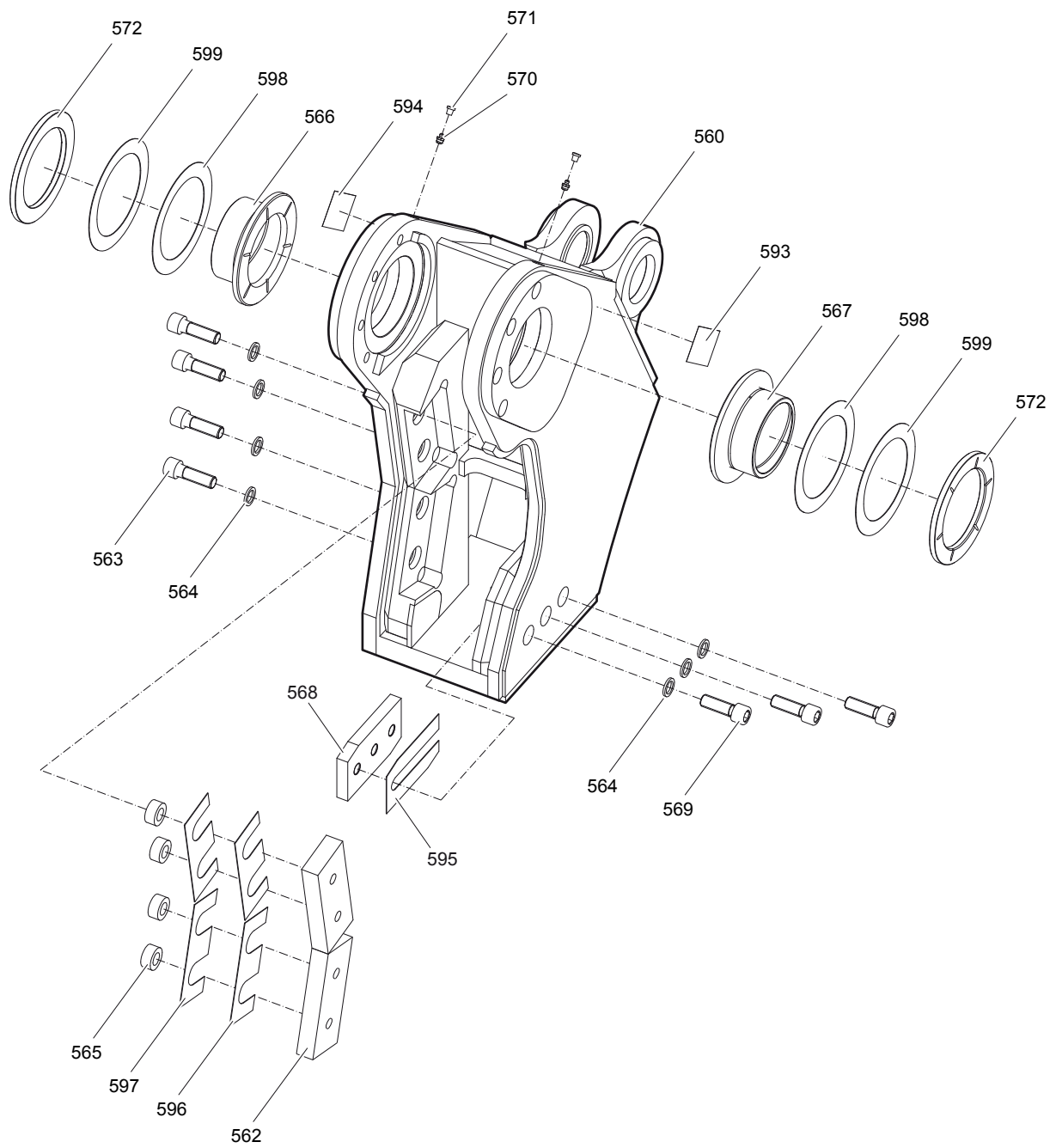
No.	Description	Remark	Quantity	Part number
500	Cutter jaw pair S complete	with parts no. 503 - 560	1	3363 0989 58
503	Ring segment		2	3363 0921 05
504	Pair of lock washers		8	3361 3337 03
505	Allen screw		8	3360 0266 41
520	Cutter jaw (single) S	see separate chapter	1	3363 0989 59
560	Cutter jaw (double) S	see separate chapter	1	3363 0989 60

# Cutter jaw (single) S



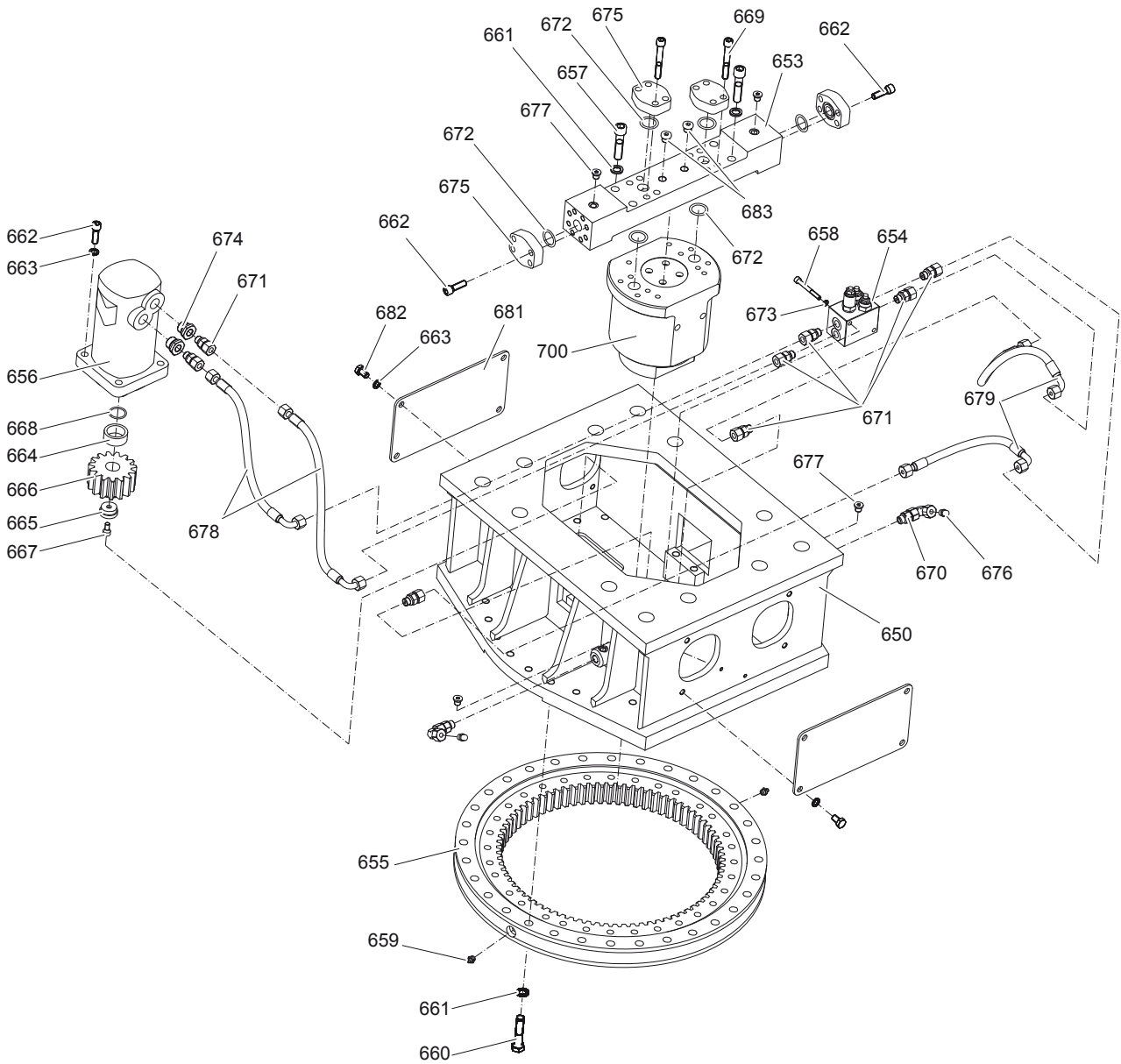
No.	Description	Remark	Quantity	Part number
520	Cutter jaw (single) S		1	3363 0989 59
522	Cutter blade		2	3363 0864 55
523	Allen screw		4	3362 3280 57
524	Pair of lock washers		4	3361 8507 48
525	Lock ring		4	3363 0351 07
526	Bearing bush		1	3363 0921 37
527	Bearing bush		1	3363 0921 39
529	Grease nipple		1	3360 2098 34
530	Cap		1	3363 0876 00
553	Label tightening torque	German/English	1	3362 2687 51
554	Label tightening torque	Spanish/French	1	3363 0667 50
556	Shim	0.2 mm (0.01 in.) thick, as required	2	3363 0924 03
557	Shim	1.0 mm (0.04 in.) thick, as required	2	3363 0910 26
558	Spacer ring	1.0 mm (0.04 in.) thick, as required	2	3363 0921 41
559	Spacer ring	0.2 mm (0.01 in.) thick, as required	2	3363 0910 56

# Cutter jaw (double) S



No.	Description	Remark	Quantity	Part number
560	Cutter jaw (double) S		1	3363 0989 60
562	Cutter blade		2	3363 0864 55
563	Allen screw		4	3362 3284 81
564	Pair of lock washers		7	3361 8507 48
565	Lock ring		4	3363 0351 07
566	Bearing bush		1	3363 0921 37
567	Bearing bush		1	3363 0921 39
568	Sliding plate		1	3363 0902 41
569	Allen screw		3	3360 1060 94
570	Grease nipple		2	3360 2098 34
571	Cap		2	3363 0876 00
572	Wear ring		2	3362 2683 49
593	Label tightening torque	German/English	1	3362 2687 51
594	Label tightening torque	Spanish/French	1	3363 0667 50
595	Shim	1.0 mm (0.04 in.) thick, as required	1	3363 0937 49
596	Shim	0.2 mm (0.01 in.) thick, as required	2	3363 0924 03
597	Shim	1.0 mm (0.04 in.) thick, as required	2	3363 0910 26
598	Spacer ring	1.0 mm (0.04 in.) thick, as required	2	3363 0921 41
599	Spacer ring	0.2 mm (0.01 in.) thick, as required	2	3363 0910 56

# Upper part complete

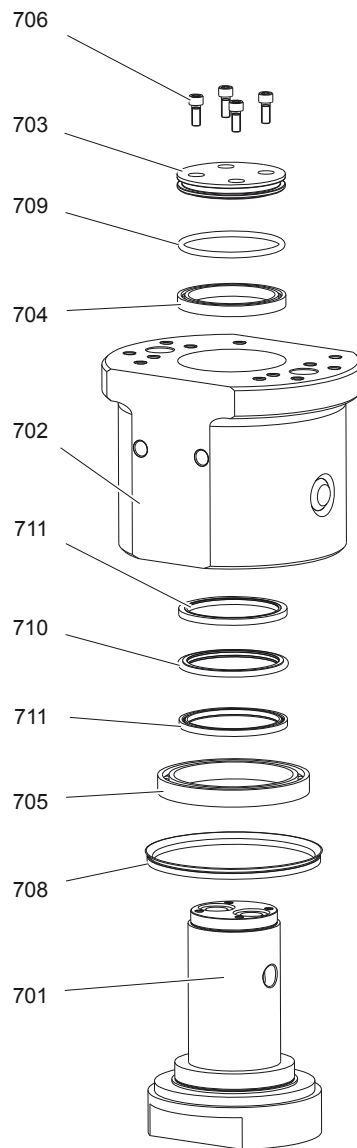




No.	Description	Remark	Quantity	Part number
650	Upper part complete	with parts No. 653 to 700	1	3363 1002 33
653	Connection plate		1	3363 0920 99
654	Valve block		1	3362 2667 12
655	Four point bearing		1	3362 2676 96
656	Hydraulic motor		1	3363 0858 83
657	Allen screw		4	3360 0266 46
658	Allen screw		2	3360 1037 38
659	Grease nipple		2	3360 4337 74
660	Hexagon head screw		32	3363 0858 87
661	Pair of lock washers		36	3361 3337 03
662	Allen screw		12	3360 0265 12
663	Pair of lock washers		12	3361 8505 96
664	Ring		1	3362 2658 69
665	Ring		1	3363 0883 27
666	Spur pinion		1	3362 2608 07
667	Allen screw		1	3361 0319 81
668	O-ring		1	3360 3133 04
669	Allen screw		8	3363 0344 29
670	Fitting		2	3363 0919 12
671	Fitting		8	3360 4783 33
672	O-ring		6	3360 3143 70
673	Pair of lock washers		2	3361 8507 43
674	Fitting		2	3362 2674 35
675	Blind flange	with one time 672 and four times 662	4	3363 0340 40
676	Plug		2	3360 3145 93
677	Threaded plug		4	3360 4784 39
678	Hydraulic hose		2	3363 0858 85
679	Hydraulic hose		2	3363 0839 72
681	Cover sheet		2	3363 1041 23
682	Hexagon head screw		8	3360 4333 81
683	Threaded plug		2	3360 4784 40
700	Rotary transmission	see separate chapter	1	3363 0336 85

# Rotary transmission

700						
701	702	703	704	705	706	<b>707</b>



707			
708	709	710	711

No.	Description	Remark	Quantity	Part number
<b>700(701-706,707)</b>	<b>Rotary transmission</b>		1	3363 0336 85
701	Rotor		1	3363 0343 16
702	Stator		1	3363 0343 17
703	Cap		1	3363 0343 18
704	Ball bearing		1	3363 0343 19
705	Ball bearing		1	3363 0343 20
706	Allen screw		4	3363 0343 25
<b>707(708-711)</b>	<b>Seal kit</b>		1	3363 0830 66
708	V-ring		1	-
709	O-ring		1	-
710	Slide ring		1	-
711	Seal		2	-

## Tightening torques

No.	Description	Tightening torque	Remark
12	Allen screw	75 + 10 Nm	
14	Allen screw	255 + 30 Nm	
25	Allen screw	44 + 5 Nm	
27	Allen screw	75 + 10 Nm	
405	Allen screw	180 + 20 Nm	
423	Allen screw	530 + 30 Nm	
430	Hexagon head screw	920 + 30 Nm	
463	Allen screw	530 + 30 Nm	
470	Hexagon head screw	920 + 30 Nm	
505	Allen screw	180 + 20 Nm	
523	Allen screw	530 + 30 Nm	
563	Allen screw	530 + 30 Nm	
569	Allen screw	530 + 30 Nm	
657	Allen screw	255 + 30 Nm	
658	Allen screw	19 + 5 Nm	
660	Hexagon head screw	270 + 10 Nm	
662	Allen screw	75 + 10 Nm	
667	Allen screw	70 + 5 Nm	fix with Loctite 243
669	Allen screw	75 + 10 Nm	
670	Fitting	70 + 5 Nm	
671	Fitting	70 + 5 Nm	
674	Fitting	150 + 20 Nm	
677	Threaded plug	25 + 5 Nm	
682	Hexagon head screw	75 + 10 Nm	

# Accessories

## Hydraulic hoses

### Open - Close

Description	Remark	Quantity	Part number
Hydraulic Hose	I.D. 25 (1"), flange SAE 90° - 6000 PSI / M 42x2, conical seal 24°, length 2300 mm (91 in.)	2	3363 0946 45
Hydraulic Hose	I.D. 25 (1"), flange SAE 90° - 6000 PSI / M 42x2, conical seal 24°, length 2800 mm (110 in.)	2	3363 0946 46

### Accessories to hydraulic hoses "Open - Close"

Description	Remark	Quantity	Part number
Allen screw		8	3360 0265 13
O-ring		2	3360 3143 70

### Rotation

Description	Remark	Quantity	Part number
Hydraulic Hose	I.D. 8 (3/8"), both ends M 20x1.5, conical seal 24°, length 2800 mm (110 in.)	2	3363 0317 67
Hydraulic Hose	I.D. 8 (3/8"), both ends M 20x1.5, conical seal 24°, length 3500 mm (138 in.)	2	3363 0343 99

## Optional equipment

Description	Remark	Quantity	Part number
Cutter grease cartridge	12 x 400 g (0.88 lbs)	1	3363 0949 14
Grease gun		1	0909 1071 00
Adapter plate matching the carrier	Consult the Atlas Copco Customer Center/Dealer in your area.	1	-
Base plate with threaded inserts		1	3363 0997 99
Bolt kit		1	3363 0873 06
Base plate with through borings		1	3363 1006 97
Bolt kit		1	3363 0945 79
Allen key	22 mm for bolt kit	1	3360 2094 45
Assembly rack	for cutter jaw set	1	3363 1020 69
Bolt cage	for bolt no. 8	1	3363 0946 47

## Kits

### Label kit

No.	Description	Remark	Quantity	Part number
	<b>Label kit</b>		1	3363 0943 94

### Hoses (casing) kit

No.	Description	Remark	Quantity	Part number
	<b>Hose (casing) kit</b>		1	3363 0980 93
16	O-ring		8	3360 3145 49
23	O-ring		4	3360 3143 70
25	Allen screw		32	3360 0263 93
27	Allen screw		16	3360 0265 13
29	Hydraulic hose		4	3363 0910 93
30	Hydraulic hose		2	3363 0910 94

### Cutter blades kit U

No.	Description	Remark	Quantity	Part number
	<b>Cutter blades kit</b>		1	3363 0983 77
422	Cutter blade		2	3363 0864 79
423	Allen screw		4	3362 3280 57
424	Pair of lock washers		4	3361 8507 48
425	Lock ring		4	3363 0351 07
462	Cutter blade		2	3363 0864 79
463	Allen screw		4	3362 3284 81
464	Pair of lock washers		4	3361 8507 48
465	Lock ring		4	3363 0351 07

### Cutter blades kit S

No.	Description	Remark	Quantity	Part number
	<b>Cutter blades kit</b>		1	3363 0983 78
522	Cutter blade		2	3363 0864 55
523	Allen screw		4	3362 3280 57
524	Pair of lock washers		4	3361 8507 48
525	Lock ring		4	3363 0351 07
562	Cutter blade		2	3363 0864 55
563	Allen screw		4	3362 3284 81
564	Pair of lock washers		4	3361 8507 48
565	Lock ring		4	3363 0351 07

## Tip of tooth kit

No.	Description	Remark	Quantity	Part number
	<b>Tip of tooth kit</b>		1	3363 0910 58
428	Tip of tooth		1	3363 1029 67
429	Nut		1	3363 0989 34
430	Hexagon head screw		1	3363 0839 62
468	Tip of tooth		2	3363 1029 67
469	Nut		2	3363 0989 34
470	Hexagon head screw		2	3363 0839 62

## Sliding plate kit

No.	Description	Remark	Quantity	Part number
	<b>Sliding plate kit</b>		1	3363 0983 79
564	Pair of lock washers		3	3361 8507 48
568	Sliding plate		1	3363 0902 41
569	Allen screw		3	3360 1060 94

## Seal kit (Hydraulic motor housing)

No.	Description	Remark	Quantity	Part number
	<b>Seal kit (Hydraulic motor housing)</b>		1	3363 0839 45

## Seal kit (Hydraulic motor)

No.	Description	Remark	Quantity	Part number
	<b>Seal kit (Hydraulic motor)</b>		1	3363 0830 74

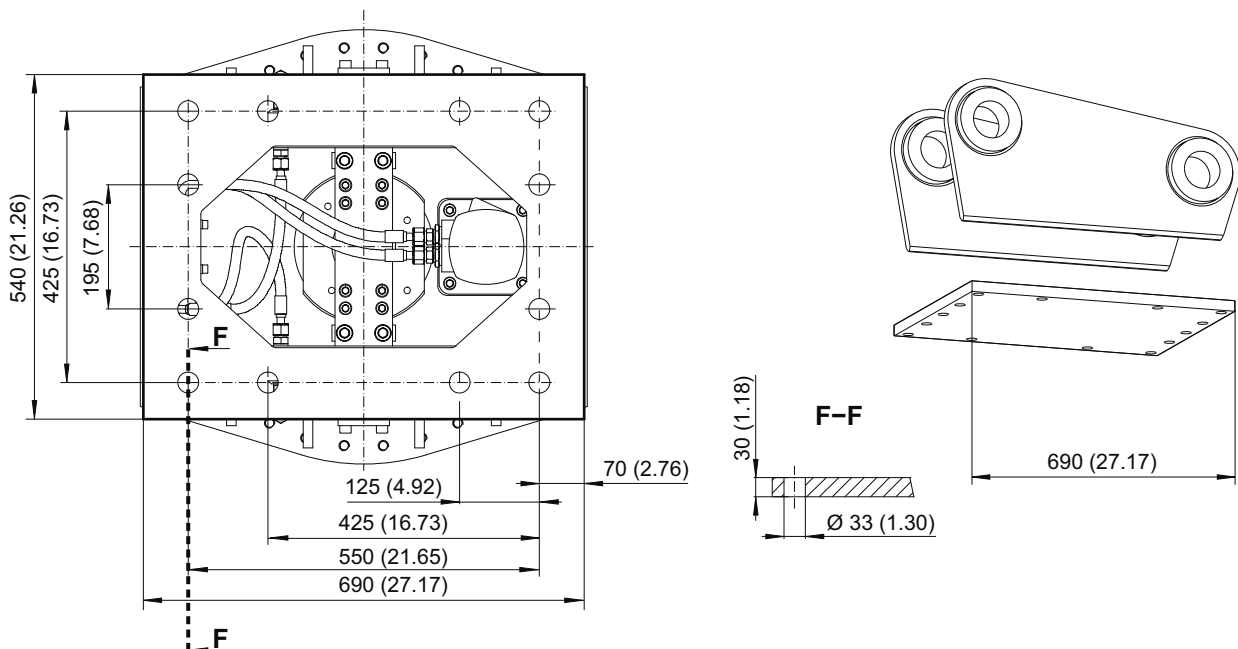
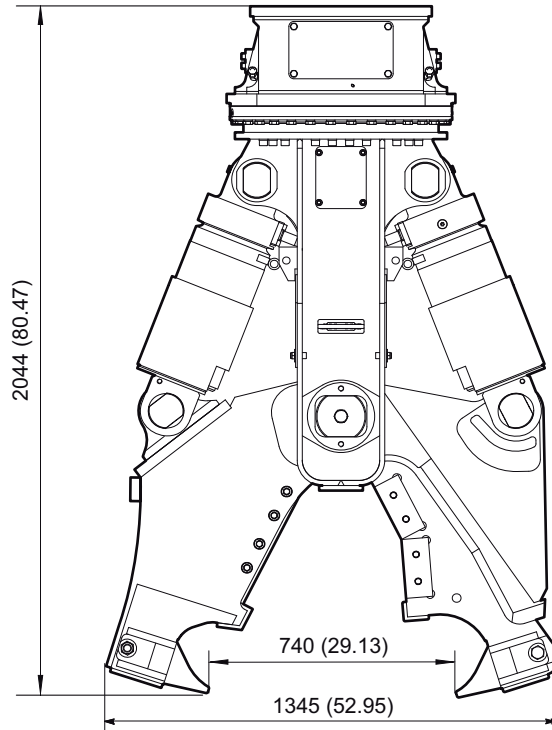
## Seal kit for rapid movement valve

No.	Description	Remark	Quantity	Part number
	<b>Seal kit</b>		1	3363 0919 27

# Dimensions

## Dimensions CC 1700 U

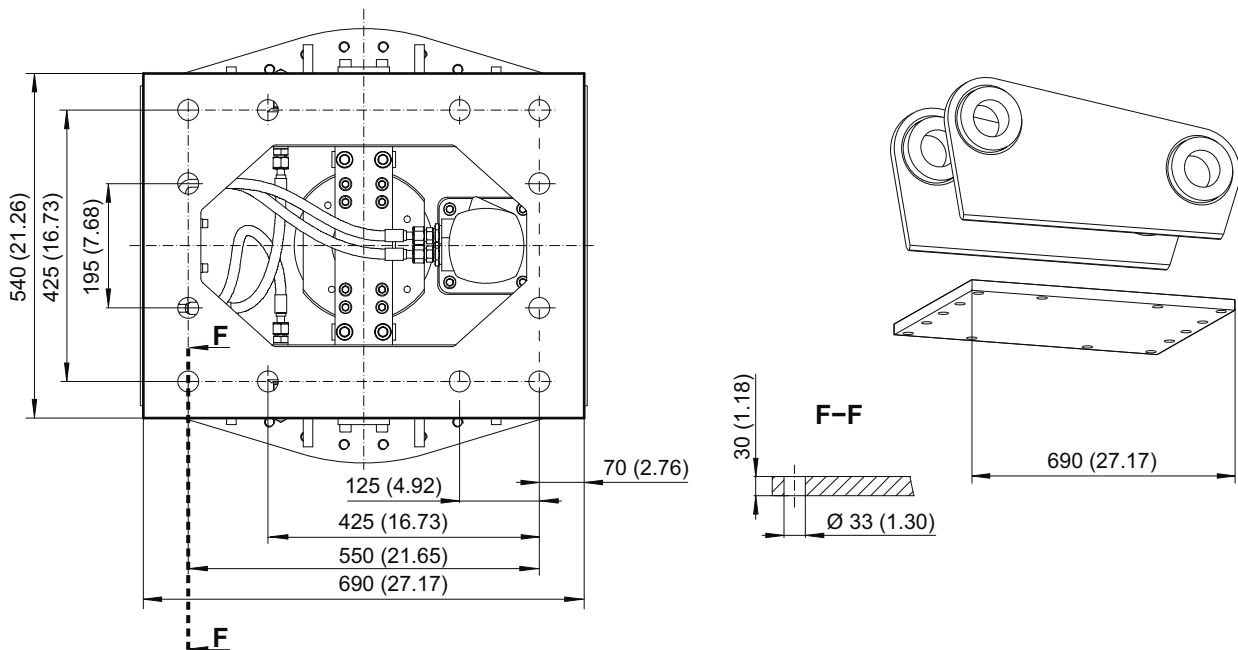
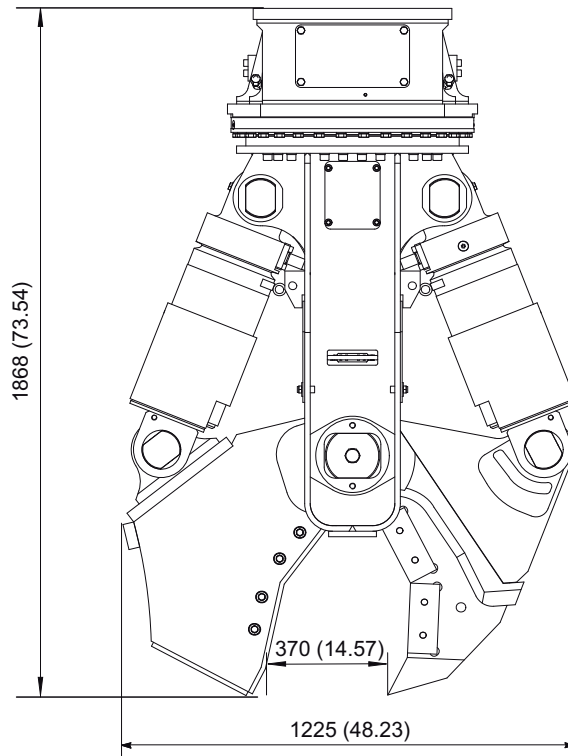
mm (in.)





# Dimensions CC 1700 S

mm (in.)







Any unauthorized use or copying of the contents or any part thereof is prohibited.  
This applies in particular to trademarks, model denominations, part numbers, and  
drawings.

© 2012 Atlas Copco Construction Tools GmbH | No. 3390 7192 01 | 2012-10-04

**Atlas Copco**

[www.atlascopco.com](http://www.atlascopco.com)