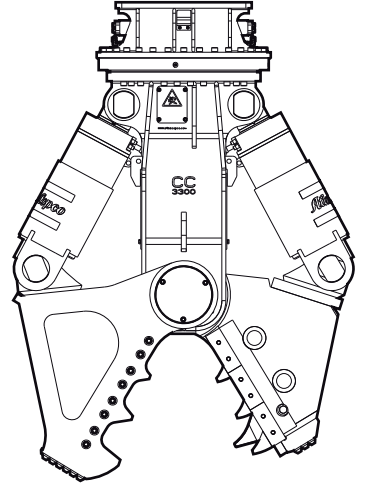


Spare parts list

Hydraulic demolition cutter

	Valid from serial number
CC 3300 B	DEQ129190



Contents

General information	5
Spare parts list	6
Hydraulic demolition cutter	6
Hydraulic cylinder	8
Protective piston rod sheath	10
Cutter jaw pair B complete	12
Cutter jaw (single) B	14
Cutter jaw (double) B	16
Upper part complete	18
Rotary transmission	20
Tightening torques	22
Accessories	23
Hydraulic hoses	23
Optional equipment	23
Kits	24
Label kit	24
Hoses (casing) kit	24
Cutter blades kit B	24
Tip of tooth kit	24
Seal kit (Hydraulic cylinder)	25
Seal kit (Hydraulic motor housing)	25
Seal kit (Hydraulic motor)	25
Seal kit for rapid movement valve	25
Dimensions	26
Dimensions CC 3300 B	26

General information

This spare parts list applies to the following:

Part number	Description
3363 1001 01	Hydraulic demolition cutter CC 3300 B

Use only authorized parts. Any damage or malfunction caused by the use of unauthorized parts is not covered by Warranty or Product Liability. Any unauthorized use or copying of the contents or any part thereof is prohibited. This applies in particular to trademarks, model denominations, part numbers, and drawings.

Instructions for use

This spare parts list contains no safety regulations and is merely intended to assist in the ordering of spare parts.

For information about operating, servicing, or repairing, the relevant Safety and operating instructions must be consulted at all costs.

Please observe the safety instructions listed in the relevant Safety and operating instructions!

Instructions of ordering

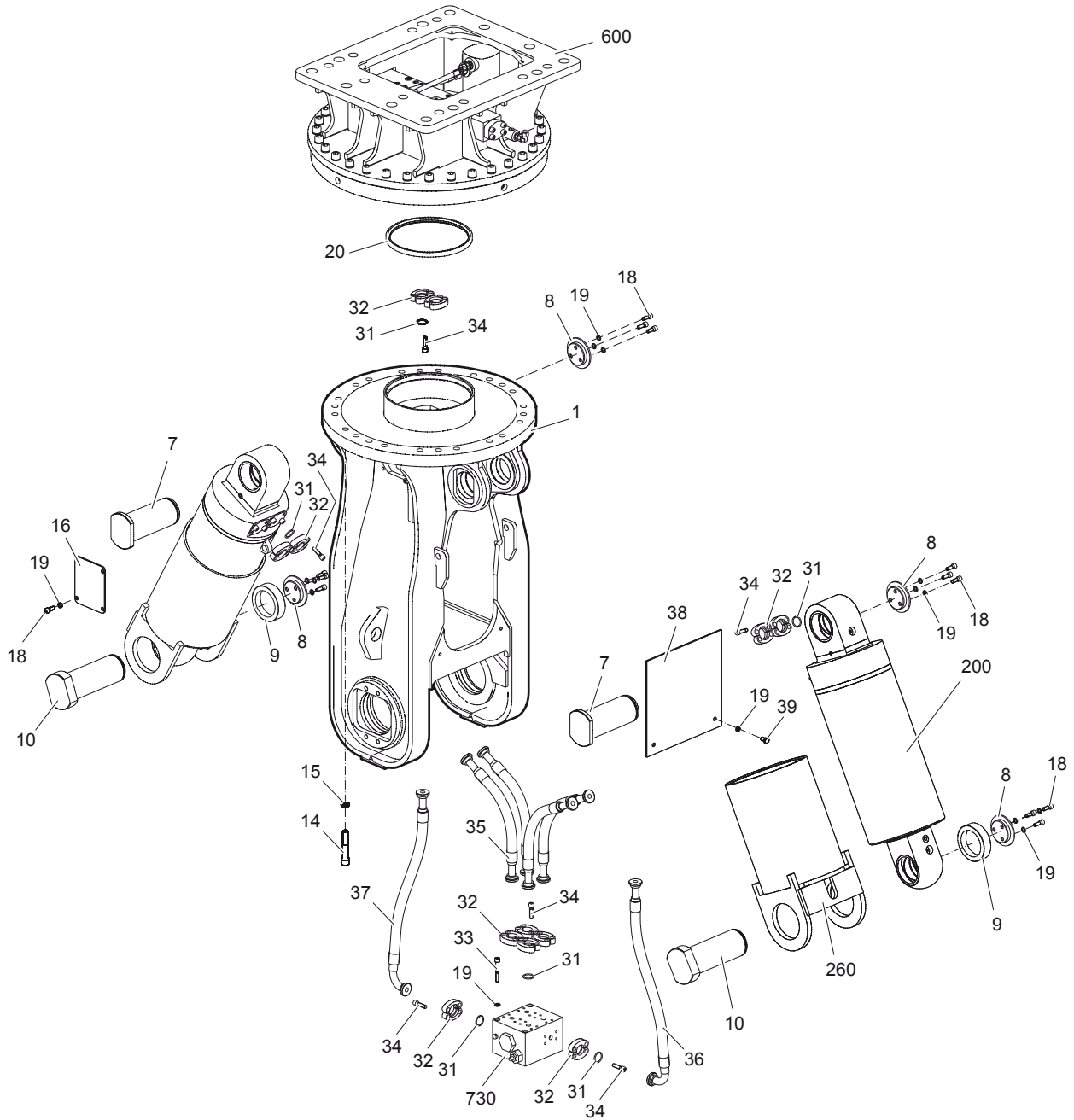
It is essential to indicate the serial number of the hydraulic attachment when ordering spare parts!

Determine the quantity of individual parts which are required and need to be ordered. The order must indicate the following details:

- full identification code of the hydraulic attachment
- required quantity
- part number
- description

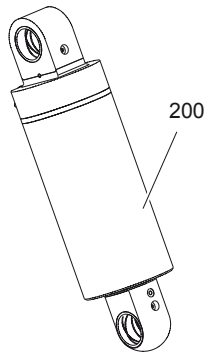
Spare parts list

Hydraulic demolition cutter

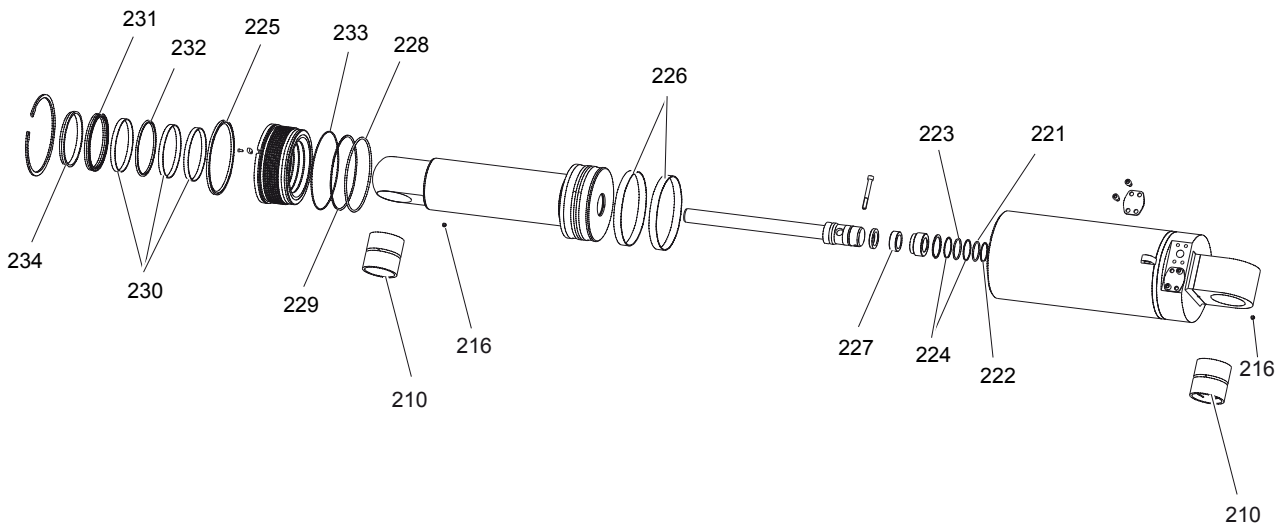


No.	Description	Remark	Quantity	Part number
1	Housing		1	3363 0902 65
7	Bolt		2	3363 1138 36
8	Cap		4	3363 1137 43
9	Ring		2	3363 0902 63
10	Bolt		2	3363 1138 37
14	Allen screw		24	3360 1061 01
15	Pair of lock washers		24	3361 8507 48
16	Cap		2	3362 2623 71
18	Allen screw		20	3360 1037 51
19	Pair of lock washers		27	3361 8505 96
20	Seal		1	3363 0700 83
31	O-ring		12	3360 3143 70
32	Flange half		24	3361 8532 08
33	Allen screw		3	3360 1184 43
34	Allen screw		1	3360 0265 13
35	Hydraulic hose		4	3363 0876 02
36	Hydraulic hose		1	3363 0876 03
37	Hydraulic hose		1	3363 0876 04
38	Plate		2	3363 0902 93
39	Hexagon head screw		4	3360 4333 81
200	Hydraulic cylinder complete	see separate chapter	2	3363 1036 06
260	Protective piston rod sheath	see separate chapter	2	3363 1036 07
600	Upper part complete	see separate chapter	1	3363 0937 71
730	Rapid movement valve		1	3363 1036 90

Hydraulic cylinder

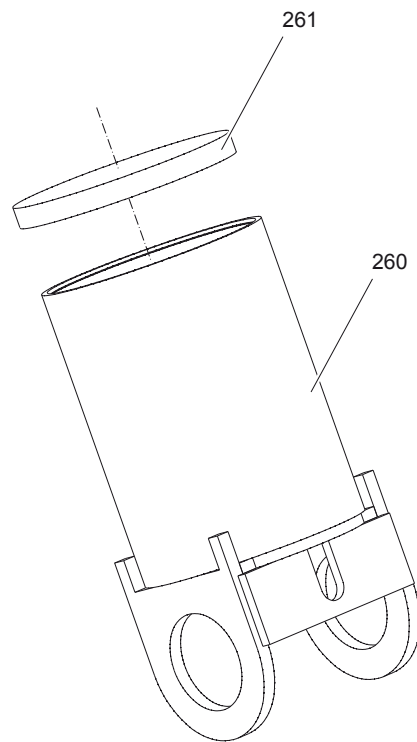


220													
221	222	223	224	225	226	227	228	229	230	231	232	233	234



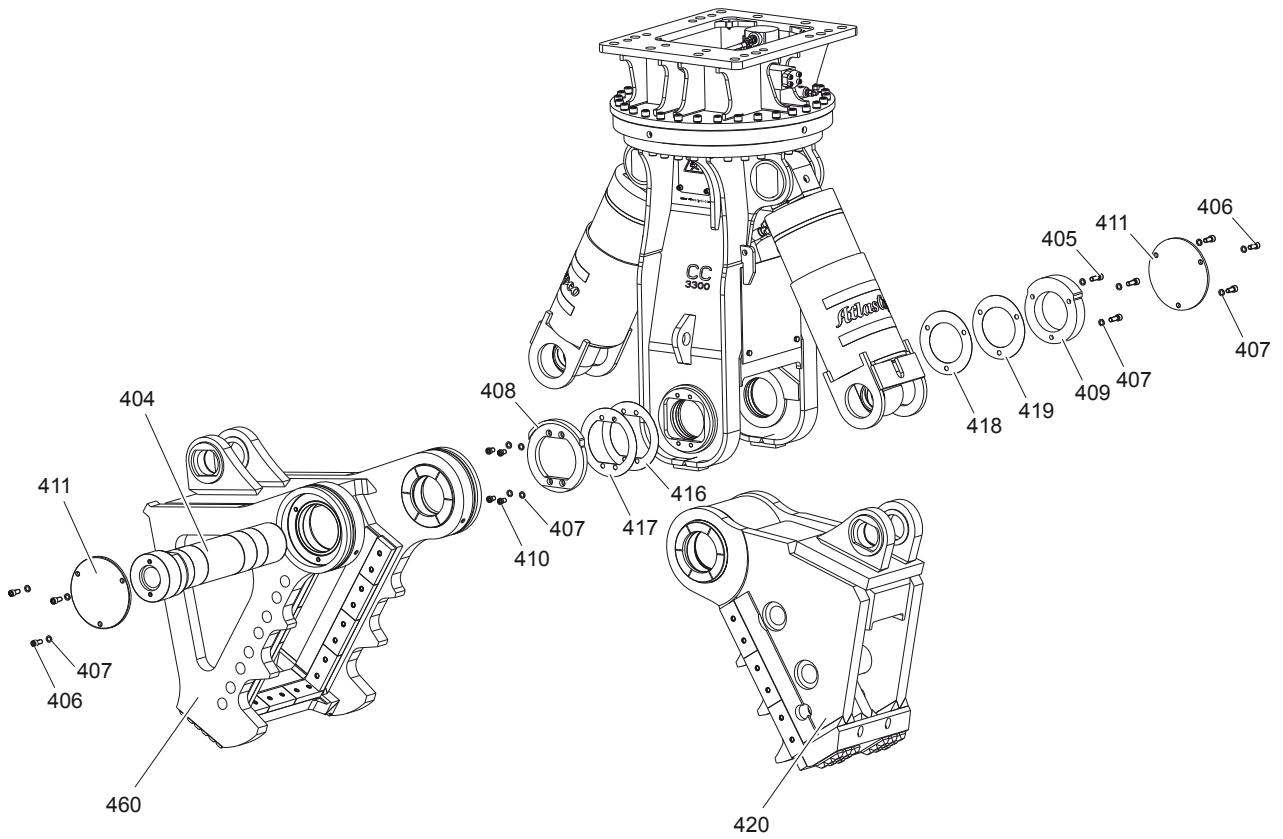
No.	Description	Remark	Quantity	Part number
200	Hydraulic cylinder complete	with parts No. 210 to 234	1	3363 1036 06
210	Clamping bush		2	3363 0919 70
216	Grease nipple		2	3360 2098 34
220(221-234)	Seal kit for hydraulic cylinder		1	3363 0989 09
221	O-ring		1	-
222	Back-up ring		1	-
223	O-ring		1	-
224	Back-up ring		2	-
225	Seal		1	-
226	Guide ring		2	-
227	Seal		1	-
228	O-ring		1	-
229	Back-up ring		1	-
230	Seal		3	-
231	Seal		1	-
232	Seal		1	-
233	O-ring		1	-
234	Wiper		1	-

Protective piston rod sheath



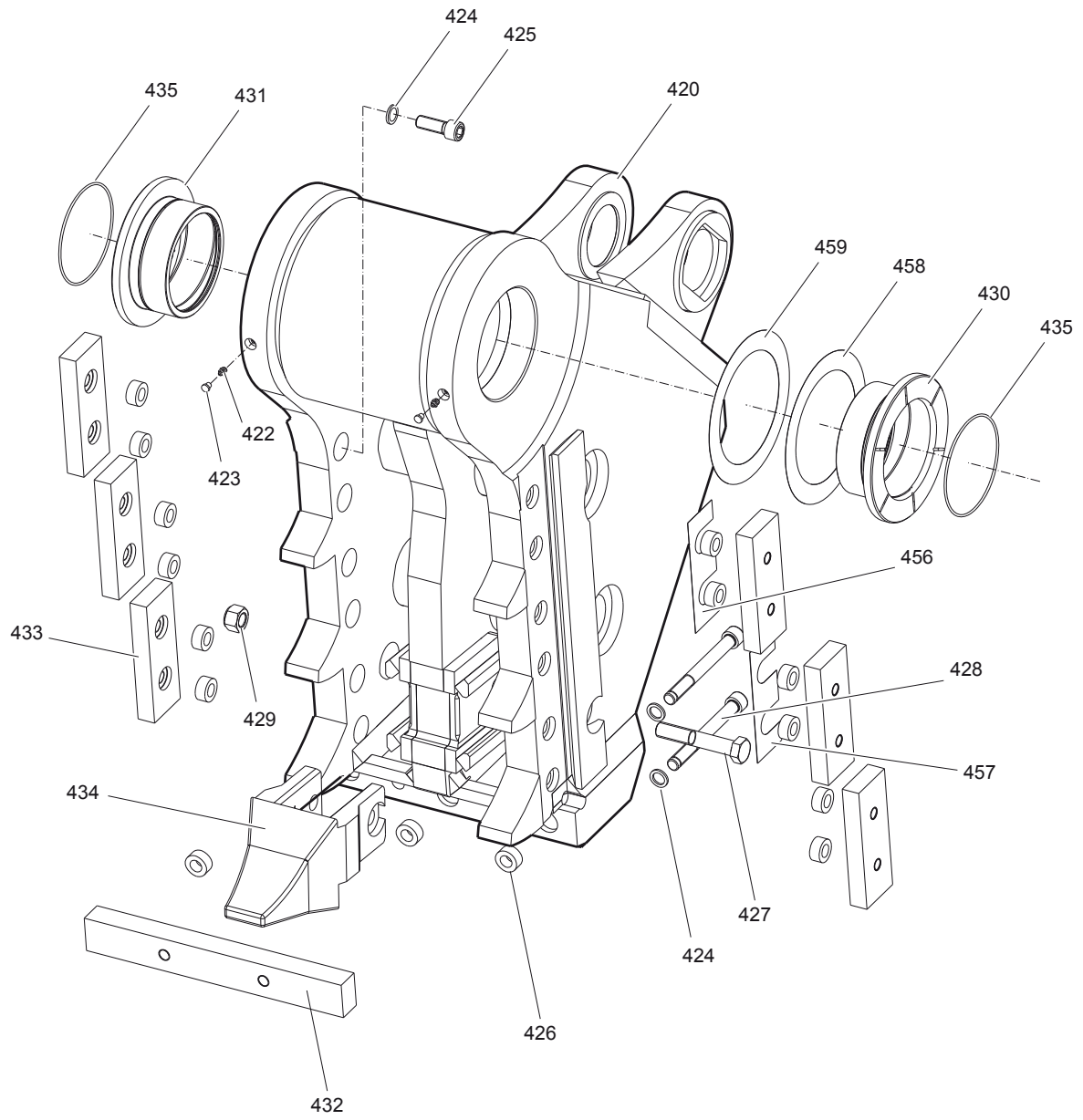
No.	Description	Remark	Quantity	Part number
260	Protective piston rod sheath	with parts No. 261	1	3363 1036 07
261	Guide strip		1	3363 0888 73

Cutter jaw pair B complete



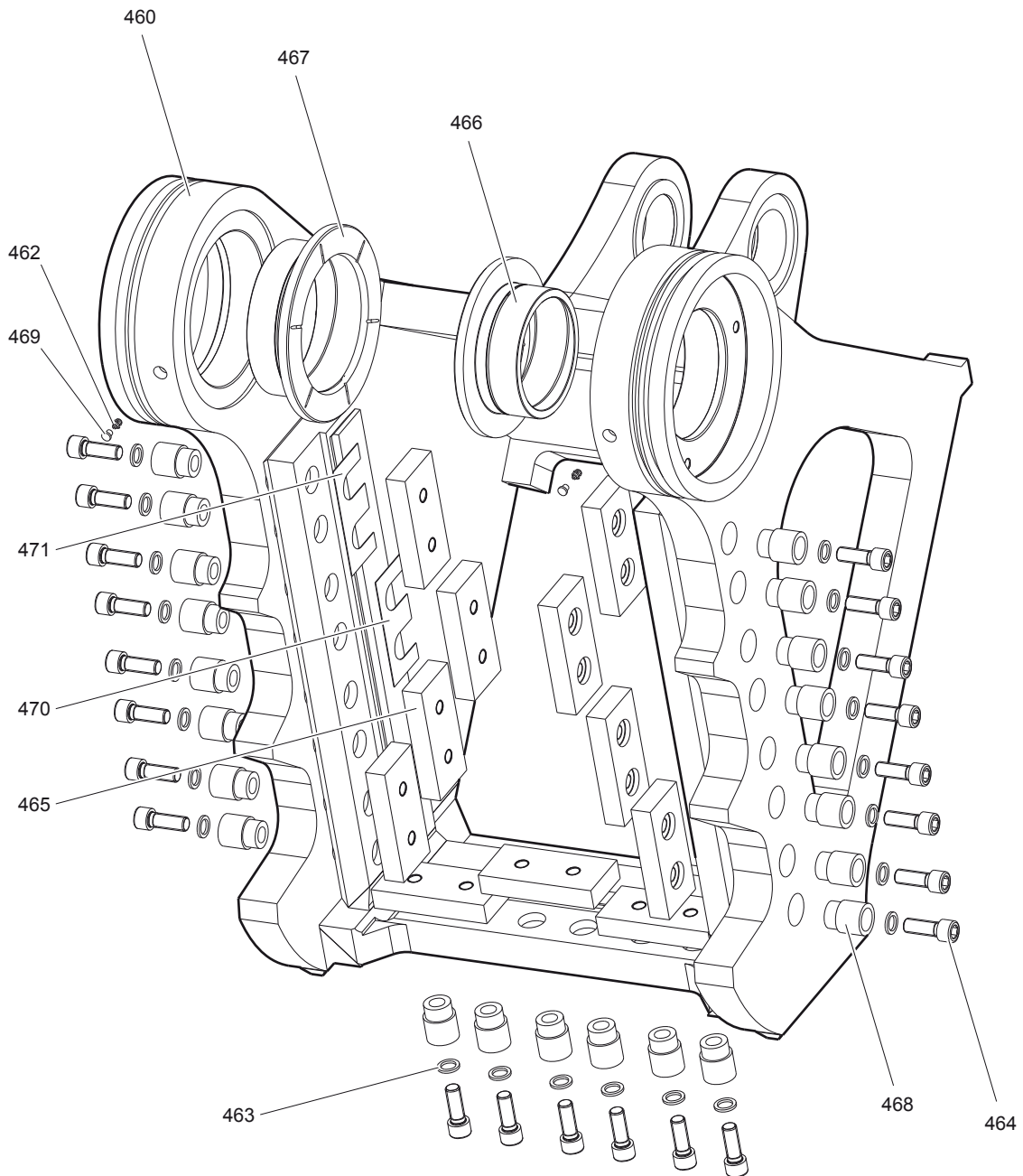
No.	Description	Remark	Quantity	Part number
404	Bolt		1	3363 1001 93
405	Allen screw		3	3360 0266 41
406	Allen screw		6	3360 1060 78
407	Pair of lock washers		13	3361 3337 03
408	Ring		1	3363 1001 87
409	Ring		1	3363 1001 89
410	Allen screw		4	3363 1001 91
411	Cap		2	3363 1001 95
416	Spacer ring	0.5 mm (0.02 in.) thick, as required	1	3363 1002 13
417	Spacer ring	0.2 mm (0.01 in.) thick, as required	1	3363 1002 15
418	Spacer ring	0.5 mm (0.02 in.) thick, as required	1	3363 1002 17
419	Spacer ring	0.2 mm (0.01 in.) thick, as required	1	3363 1002 19
420	Cutter jaw (single) B	see separate chapter	1	3363 1063 31
460	Cutter jaw (double) B	see separate chapter	1	3363 1063 32

Cutter jaw (single) B



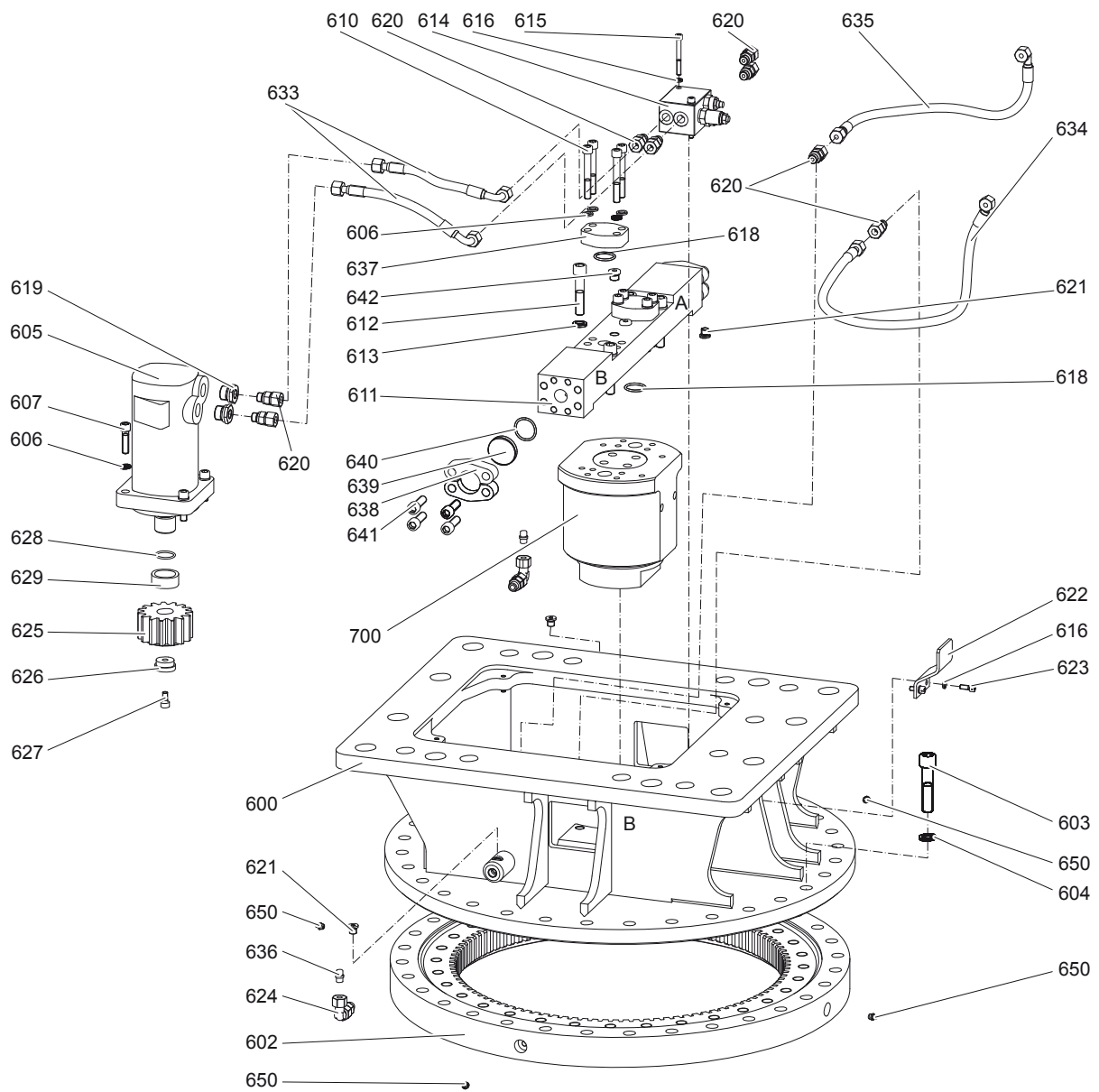
No.	Description	Remark	Quantity	Part number
420	Cutter jaw (single) B		1	3363 1063 31
422	Grease nipple		2	3360 2098 34
423	Cap		2	3363 0876 00
424	Pair of lock washers		14	3361 8507 48
425	Allen screw		12	3362 3280 57
426	Lock ring		15	3363 0351 07
427	Hexagon head screw		1	3363 0664 13
428	Allen screw		2	3363 0990 99
429	Hexagon nut		1	3363 0989 34
430	Bearing bush		1	3363 1001 45
431	Bearing bush		1	3363 1001 47
432	Cutter blade		1	3363 1001 49
433	Cutter blade		6	3363 1001 79
434	Tip of tooth	with no. 427 and 429	1	3363 0989 63
435	O-ring		2	3361 0319 90
456	Shim	0.2 mm (0.01 in.) thick, as required	1	3363 1001 97
457	Shim	0.5 mm (0.02 in.) thick, as required	1	3363 1001 99
458	Spacer ring	0.2 mm (0.01 in.) thick, as required	1	3363 0883 97
459	Spacer ring	0.5 mm (0.02 in.) thick, as required	1	3363 0990 95

Cutter jaw (double) B



No.	Description	Remark	Quantity	Part number
460	Cutter jaw (double) B		1	3363 1063 32
462	Grease nipple		2	3360 2098 34
463	Pair of lock washers		22	3361 8507 48
464	Allen screw		22	3362 3280 57
465	Cutter blade		11	3363 0864 79
466	Bearing bush		1	3363 1001 81
467	Bearing bush		1	3363 1001 83
468	Cutter sleeve		22	3363 1001 85
469	Cap		2	3363 0876 00
470	Shim	0.2 mm (0.01 in.) thick, as required	1	3363 0881 49
471	Shim	1.0 mm (0.04 in.) thick, as required	1	3363 0876 07

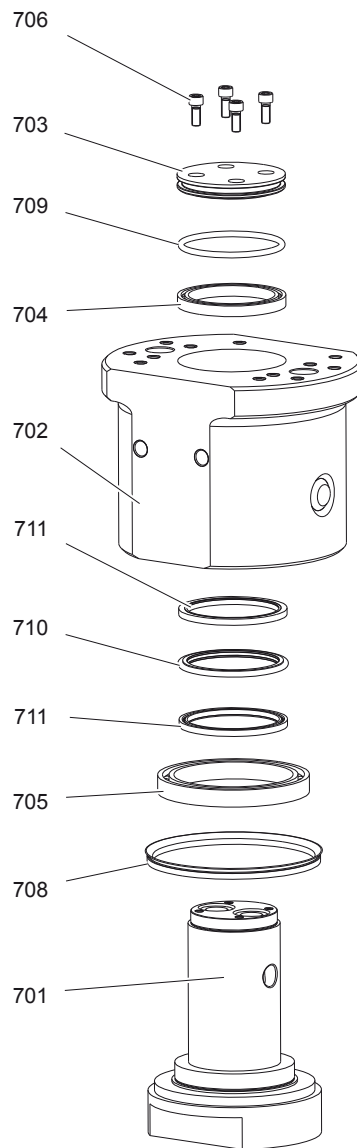
Upper part complete



No.	Description	Remark	Quantity	Part number
600	Upper part complete	with parts No. 602 to 700	1	3363 0937 71
602	Four point bearing		1	3363 0700 82
603	Allen screw		36	3360 1060 99
604	Pair of lock washers		36	3361 8507 48
605	Hydraulic motor		1	3363 0989 67
606	Pair of lock washers		12	3361 8505 96
607	Allen screw		4	3360 0265 13
610	Allen screw		8	3363 0344 29
611	Connection plate		1	3363 1041 73
612	Allen screw		4	3360 0266 48
613	Pair of lock washers		4	3361 3337 03
614	Valve block		1	3362 2667 12
615	Allen screw		2	3360 1037 38
616	Pair of lock washers		4	3361 8507 43
618	O-ring		4	3360 3143 70
619	Fitting		2	3362 2674 35
620	Fitting		8	3360 4783 33
621	Threaded plug		4	3360 4784 39
622	Cover sheet		1	3363 0920 59
623	Allen screw		2	3363 0883 33
624	Fitting		2	3363 0919 12
625	Spur pinion		1	3362 2608 07
626	Ring		1	3363 0883 27
627	Allen screw		1	3361 0319 81
628	O-ring		1	3360 3133 04
629	Ring		1	3362 2658 69
633	Hydraulic hose		2	3363 0839 72
634	Hydraulic hose		1	3363 0858 84
635	Hydraulic hose		1	3363 0839 70
636	Plug		2	3360 3145 93
637	Blind flange		2	3363 0340 40
638	Flange half		4	3360 9924 88
639	Blind plate		2	3363 0313 48
640	O-ring		2	3360 3143 72
641	Allen screw		8	3363 0342 74
642	Threaded plug		2	3360 4784 40
650	Grease nipple		4	3360 2098 34
700	Rotary transmission	see separate chapter	1	3363 0336 85

Rotary transmission

700						
701	702	703	704	705	706	707



707			
708	709	710	711

No.	Description	Remark	Quantity	Part number
700(701-706,707)	Rotary transmission		1	3363 0336 85
701	Rotor		1	3363 0343 16
702	Stator		1	3363 0343 17
703	Cap		1	3363 0343 18
704	Ball bearing		1	3363 0343 19
705	Ball bearing		1	3363 0343 20
706	Allen screw		4	3363 0343 25
707(708-711)	Seal kit		1	3363 0830 66
708	V-ring		1	-
709	O-ring		1	-
710	Slide ring		1	-
711	Seal		2	-

Tightening torques

No.	Description	Tightening torque	Remark
14	Allen screw	560 + 40 Nm	
18	Allen screw	75 + 10 Nm	
33	Allen screw	105 + 10 Nm	
34	Allen screw	45 + 5 Nm	
39	Hexagon head screw	75 + 10 Nm	fix with Loctite 243
405	Allen screw	190 + 5 Nm	
406	Allen screw	240 + 5 Nm	
410	Allen screw	550 + 5 Nm	
428	Allen screw	550 + 5 Nm	
429	Hexagon nut	920 + 5 Nm	
464	Allen screw	550 + 5 Nm	
603	Allen screw	530 + 30 Nm	
607	Allen screw	75 + 10 Nm	
610	Allen screw	100 + 10 Nm	
612	Allen screw	180 + 20 Nm	
615	Allen screw	19 + 5 Nm	
620	Fitting	70 + 10 Nm	
623	Allen screw	19 + 5 Nm	
624	Fitting	70 + 10 Nm	
627	Allen screw	70 + 5 Nm	fix with Loctite 243
641	Allen screw	170 + 15 Nm	

Accessories

Hydraulic hoses

Open - Close

Description	Remark	Quantity	Part number
Hydraulic Hose	I.D. 32 (1.26 in.) flange SAE 90° 1 1/4 in. - 6000 PSI, 1 5/8 in. JIC length 2800 mm (110 in.)	2	3363 1064 93
Hydraulic Hose	I.D. 32 (1.26 in.) flange SAE 90° 1 1/4 in. - 6000 PSI, 1 5/8 in. JIC length 3500 mm (138 in.)	2	3363 1064 94

Rotation

Description	Remark	Quantity	Part number
Hydraulic Hose	I.D. 8 (3/8 in.) both ends M 20x1.5, conical seal 24°, length 2800 mm (110 in.)	2	3363 0317 67
Hydraulic Hose	I.D. 8 (3/8 in.) both ends M 20x1.5, conical seal 24°, length 3500 mm (138 in.)	2	3363 0343 99

Optional equipment

Description	Remark	Quantity	Part number
Cutter grease cartridge	12 x 400 g (0.88 lbs)	1	3363 0949 14
Grease gun		1	0909 1071 00
Adapter plate matching the carrier	Consult the Atlas Copco Customer Center/Dealer in your area.	1	-
Base plate with threaded inserts		1	3363 0997 93
Bolt kit		1	3363 0873 07
Base plate with through borings		1	3363 1028 71
Bolt kit		1	3363 0945 80
Allen key	27 mm for bolt kit	1	3360 4789 49
Wear rail	for cutter jaw (single)	6	3363 0969 99
Wear rail	for cutter jaw (double)	6	3363 1001 77

Kits

Label kit

No.	Description	Remark	Quantity	Part number
	Label kit		1	3363 0943 27

Hoses (casing) kit

No.	Description	Remark	Quantity	Part number
	Hose (casing) kit		1	3363 0980 96
31	O-ring		12	3360 3143 70
34	Allen screw	tightening torque 45 + 5 Nm	48	3360 0265 13
35	Hydraulic hose		4	3363 0876 02
36	Hydraulic hose		1	3363 0876 03
37	Hydraulic hose		1	3363 0876 04

Cutter blades kit B

No.	Description	Remark	Quantity	Part number
	Cutter blades kit		1	3363 1062 66
424	Lock ring		15	3363 0351 07
425	Allen screw		12	3362 3280 57
428	Allen screw		2	3363 0990 99
432	Cutter blade		1	3363 1001 49
433	Cutter blade		6	3363 1001 79
456	Shim	0.2 mm (0.01 in.) thick, as required	6	3363 1001 97
457	Shim	0.5 mm (0.02 in.) thick, as required	6	3363 1001 99
463	Pair of lock washers		22	3361 8507 48
464	Allen screw		22	3362 3280 57
465	Cutter blade		11	3363 0864 79
468	Cutter sleeve		22	3363 1001 85
470	Shim	0.2 mm (0.01 in.) thick, as required	11	3363 0881 49
471	Shim	1.0 mm (0.04 in.) thick, as required	11	3363 0876 07

Tip of tooth kit

No.	Description	Remark	Quantity	Part number
	Tip of tooth kit		1	3363 1062 67
427	Hexagon head screw		1	3363 0664 13
429	Hexagon nut		1	3363 0989 34
434	Tip of tooth		1	3363 1119 22

Seal kit (Hydraulic cylinder)

No.	Description	Remark	Quantity	Part number
	Seal kit (Hydraulic cylinder)		1	3363 0989 09
221	O-ring		1	-
222	Back-up ring		1	-
223	O-ring		1	-
224	Back-up ring		2	-
225	Seal		1	-
226	Guide ring		2	-
227	Seal		1	-
228	O-ring		1	-
229	Back-up ring		1	-
230	Seal		3	-
231	Seal		1	-
232	Seal		1	-
233	O-ring		1	-
234	Wiper		1	-

Seal kit (Hydraulic motor housing)

No.	Description	Remark	Quantity	Part number
	Seal kit (Hydraulic motor housing)		1	3363 0839 45

Seal kit (Hydraulic motor)

No.	Description	Remark	Quantity	Part number
	Seal kit (Hydraulic motor)		1	3363 0830 74

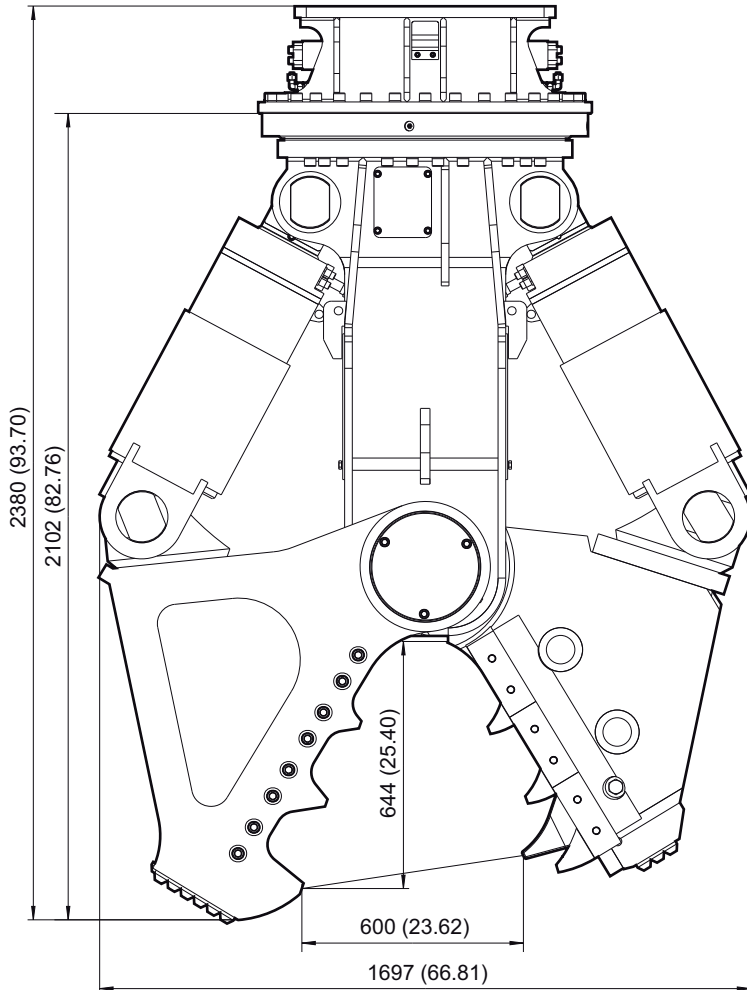
Seal kit for rapid movement valve

No.	Description	Remark	Quantity	Part number
	Seal kit		1	3363 0910 24

Dimensions

Dimensions CC 3300 B

mm (inch)



Any unauthorized use or copying of the contents or any part thereof is prohibited.
This applies in particular to trademarks, model denominations, part numbers, and
drawings.

© 2012 Atlas Copco Construction Tools GmbH | No. 3390 7482 01 | 2012-09-24

Atlas Copco

www.atlascopco.com