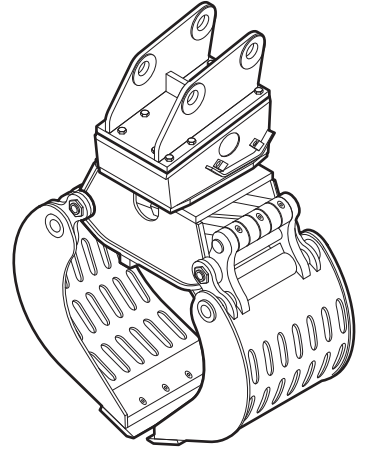


Spare parts list

Multi grapple



Contents

General information	5
Spare parts list	6
Multi grapple	6
Hydraulic cylinder	8
Rotary transmission	10
Tightening torques	12
Accessories	13
Hydraulic hoses	13
Optional equipment	13
Kits	14
Label kit	14
Blade kit	14
Seal kit (Hydraulic cylinder)	14
Seal kit (Rotary transmission)	14
Dimensions	15

General information

This spare parts list applies to the following:

Part number	Description
3363 1036 52	Multi grapple MG 300

Use only authorized parts. Any damage or malfunction caused by the use of unauthorized parts is not covered by Warranty or Product Liability. Any unauthorized use or copying of the contents or any part thereof is prohibited. This applies in particular to trademarks, model denominations, part numbers, and drawings.

Instructions for use

This spare parts list contains no safety regulations and is merely intended to assist in the ordering of spare parts.

For information about operating, servicing, or repairing, the relevant Safety and operating instructions must be consulted at all costs.

Please observe the safety instructions listed in the relevant Safety and operating instructions!

Instructions of ordering

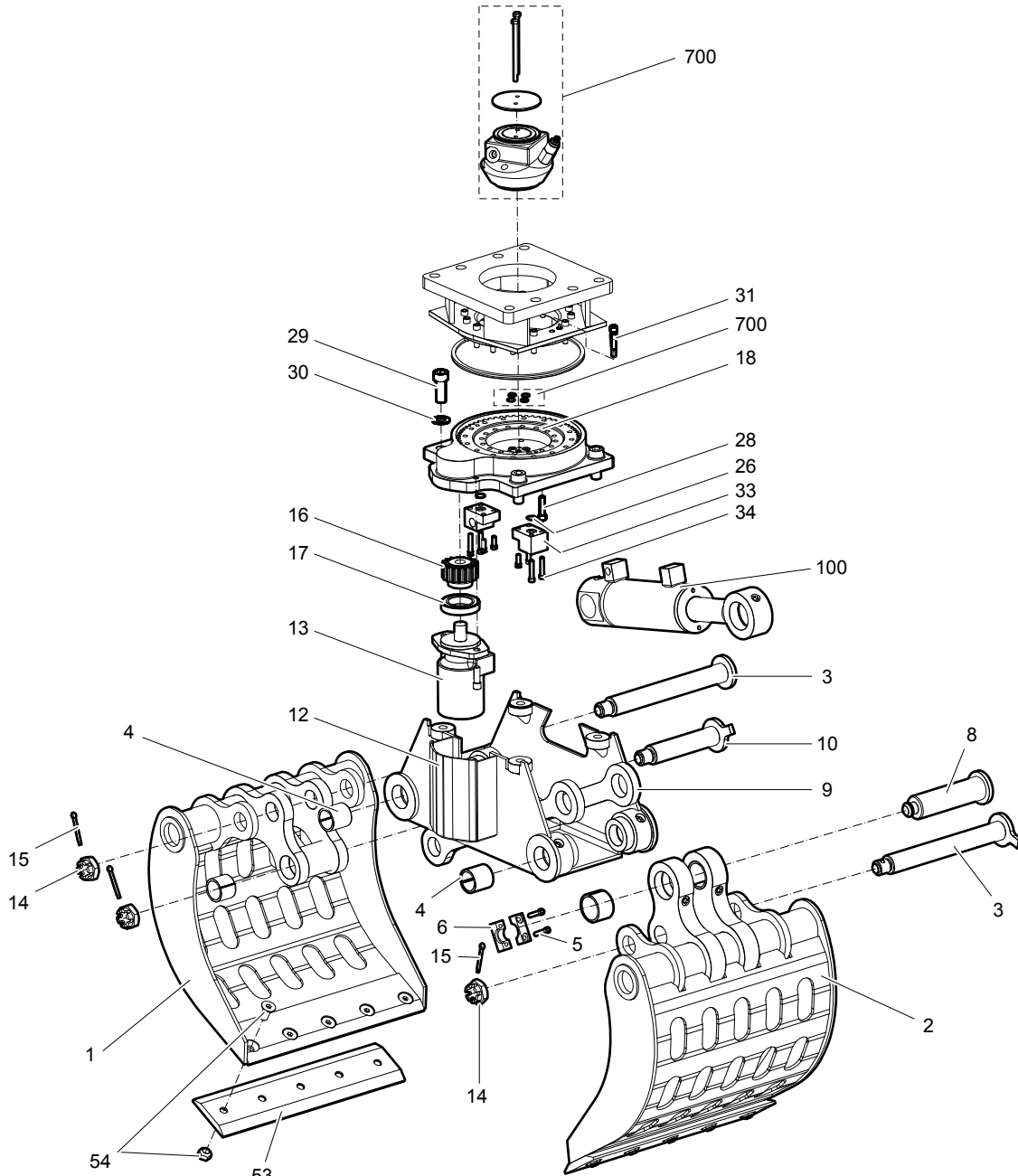
It is essential to indicate the serial number of the hydraulic attachment when ordering spare parts!

Determine the quantity of individual parts which are required and need to be ordered. The order must indicate the following details:

- full identification code of the hydraulic attachment
- required quantity
- part number
- description

Spare parts list

Multi grapple

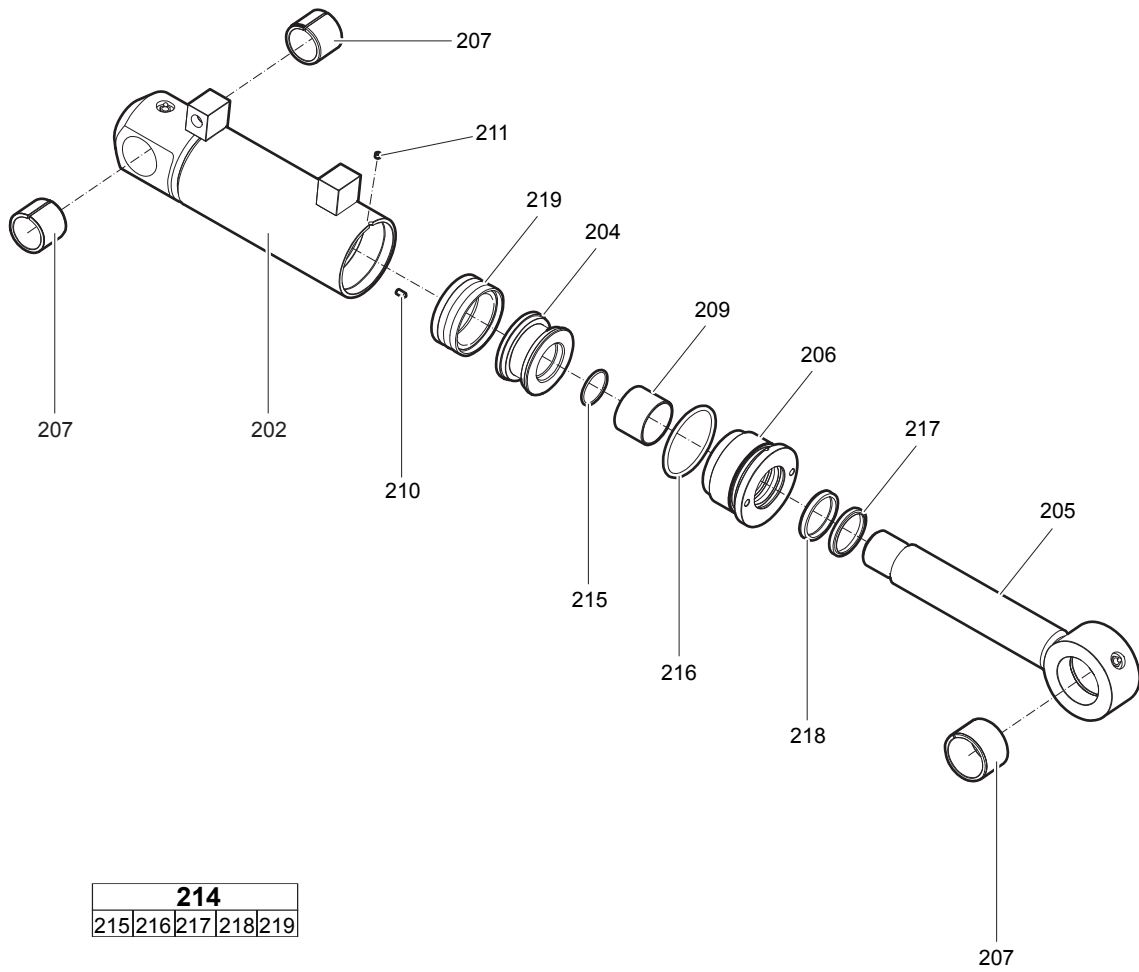


52
53 54

No.	Description	Remark	Quantity	Part number
1	Grapple leaf, left		1	3363 1060 86
2	Grapple leaf, right		1	3363 1060 87
3	Bolt		2	3363 1060 88
4	Bearing bush		4	3363 1060 89
5	Allen screw		2	3363 1060 90
6	Clamp		2	3363 1060 91
8	Bolt		1	3363 1060 92
9	Linkage		2	3363 1060 93
10	Bolt		1	3363 1060 94
12	Cover		1	3363 1060 95
13	Hydraulic motor		1	3363 1060 96
14	Nut		3	3363 1060 97
15	Splint pin		3	3363 1060 98
16	Pinion		1	3363 1060 99
17	Bearing		1	3363 0985 40
18	Live ring		1	3363 1062 00
26	O-ring		2	3363 1062 01
28	Allen screw		32	3363 1062 02
29	Allen screw		4	3363 1062 03
30	Washer		4	3363 1062 04
31	Allen screw		12	3363 1062 05
33	Connection block		2	3363 1062 06
34	Allen screw		8	3363 1062 07
52(53-54)	Blade kit		1	3363 1062 46
53	Blade kit	Kit with 2 blades	1	-
54	Bolt kit		1	3363 1062 09
100	Hydraulic cylinder	see separate chapter	1	3363 1062 19
700	Rotary transmission	see separate chapter	1	3363 1062 11

Hydraulic cylinder

200					
202	204	205	206	207	209
210	211	214			

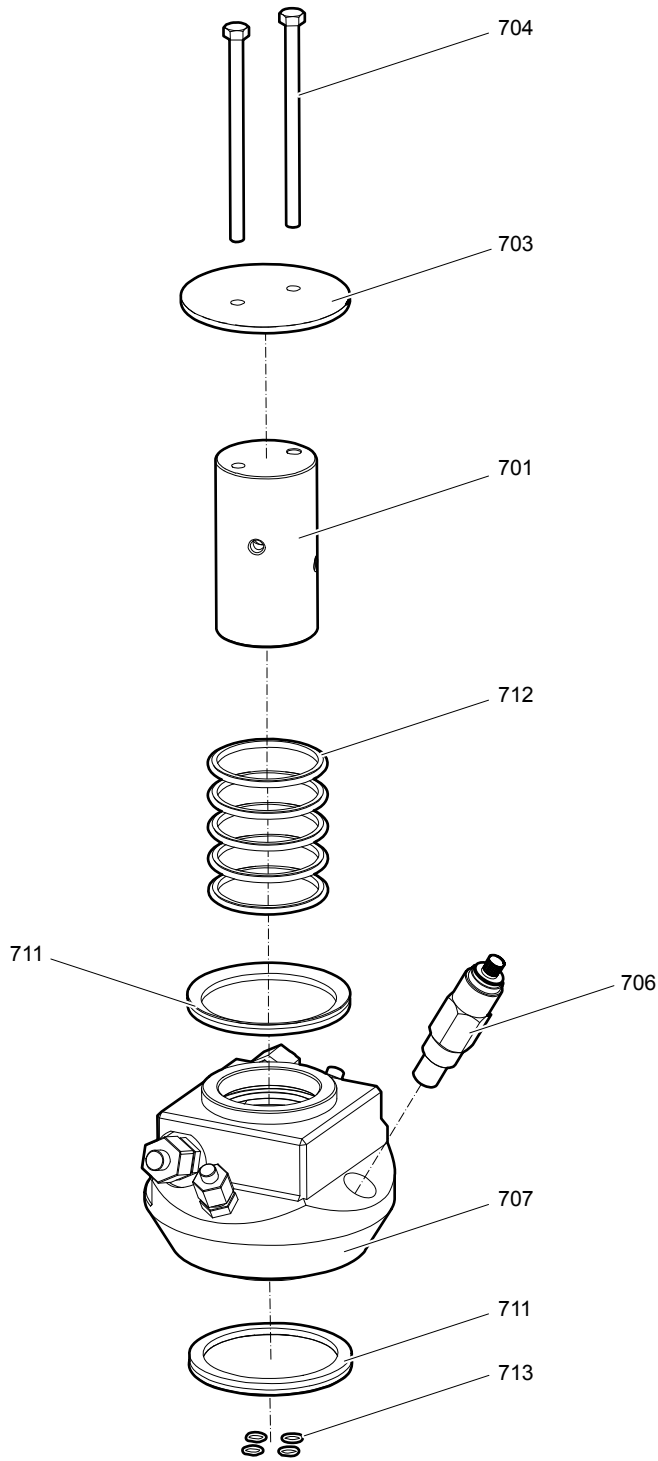


214					
215	216	217	218	219	

No.	Description	Remark	Quantity	Part number
200(202-211,214)	Hydraulic cylinder		1	3363 1062 19
202	Cylinder body		1	3363 1062 20
204	Piston		1	3363 1062 23
205	Piston rod		1	3363 1062 21
206	Cover		1	3363 1062 22
207	Bearing bush		3	3363 1062 24
209	Guide bush		1	3363 1062 25
210	Pin		1	3363 1062 30
211	Pin		1	3363 1062 31
214(215-219)	Seal kit		1	3363 1062 37
215	Seal		1	-
216	O-ring		1	-
217	Wiper		1	-
218	Seal		1	-
219	Piston packing		1	-

Rotary transmission

700				
701	703	704	706	707



710		
711	712	713

No.	Description	Remark	Quantity	Part number
700(701-707,710)	Rotary transmission		1	3363 1062 11
701	Rotor		1	3363 1062 12
703	Cover		1	3363 1062 14
704	Hexagon head screw		2	3363 1062 18
706	Pressure valve		1	3363 1062 16
707	Stator		1	3363 1062 13
710(711-713)	Seal kit		1	3363 1062 38
711	V-ring		2	-
712	Seal		5	-
713	O-ring		4	-

Tightening torques

No.	Description	Tightening torque	Remark
54	Allen screw and nut	300 Nm	Allen key and socket wrench
28	Allen screw	110 Nm	Allen key
31	Allen screw	130 Nm	Allen key

Accessories

Hydraulic hoses

Open - Close

Description	Remark	Quantity	Part number
Hydraulic Hose	I.D. 10 both ends M 20x1.5, conical seal 24° length 2000 mm (78.74 in.)	2	3363 0945 40

Rotation

Description	Remark	Quantity	Part number
Hydraulic Hose	I.D. 8 both ends M 16x1.5, conical seal 24° length 2000 mm (78.74 in.)	2	3363 0945 41

Optional equipment

Description	Remark	Quantity	Part number
Cutter grease cartridge	12 x 400 g (0.88 lbs)	1	3363 0949 14
Grease gun		1	0909 1071 00
Adapter plate matching the carrier	Consult the Atlas Copco Customer Center/Dealer in your area.	1	-
Base plate with through borings		1	3315 3043 00
Bolt kit		1	3315 2964 90
Open-end spanner	24/27 mm for bolt kit	1	3360 4306 55

Kits

Label kit

No.	Description	Remark	Quantity	Part number
	Label kit		1	3363 1062 50

Blade kit

No.	Description	Remark	Quantity	Part number
39	Blade kit		1	3363 1060 46
53	Blade kit	Kit with 2 blades	1	-
40	Bolt kit		2	3363 1062 09

Seal kit (Hydraulic cylinder)

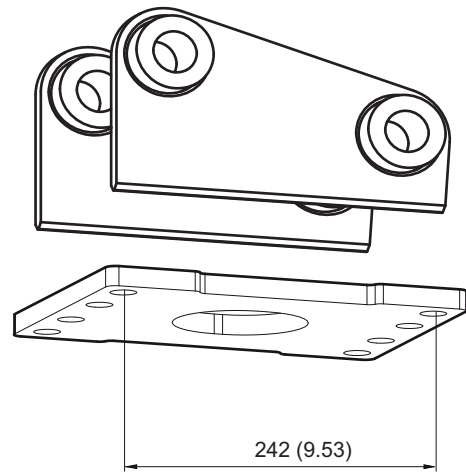
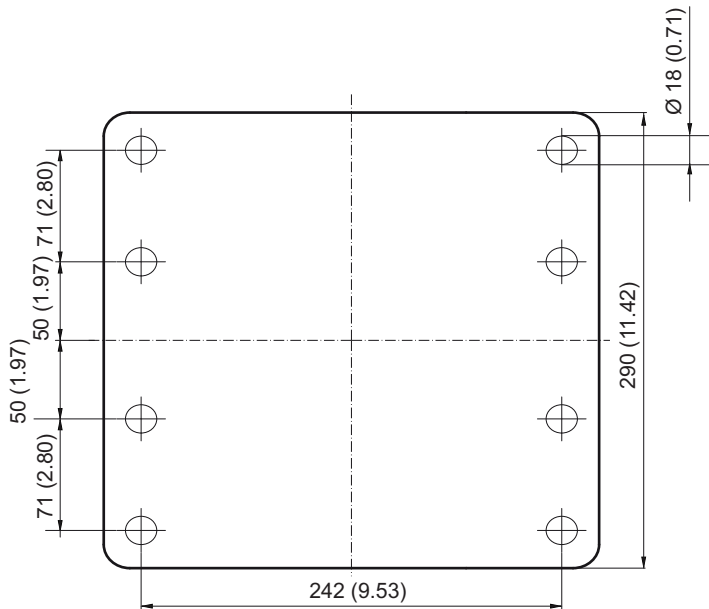
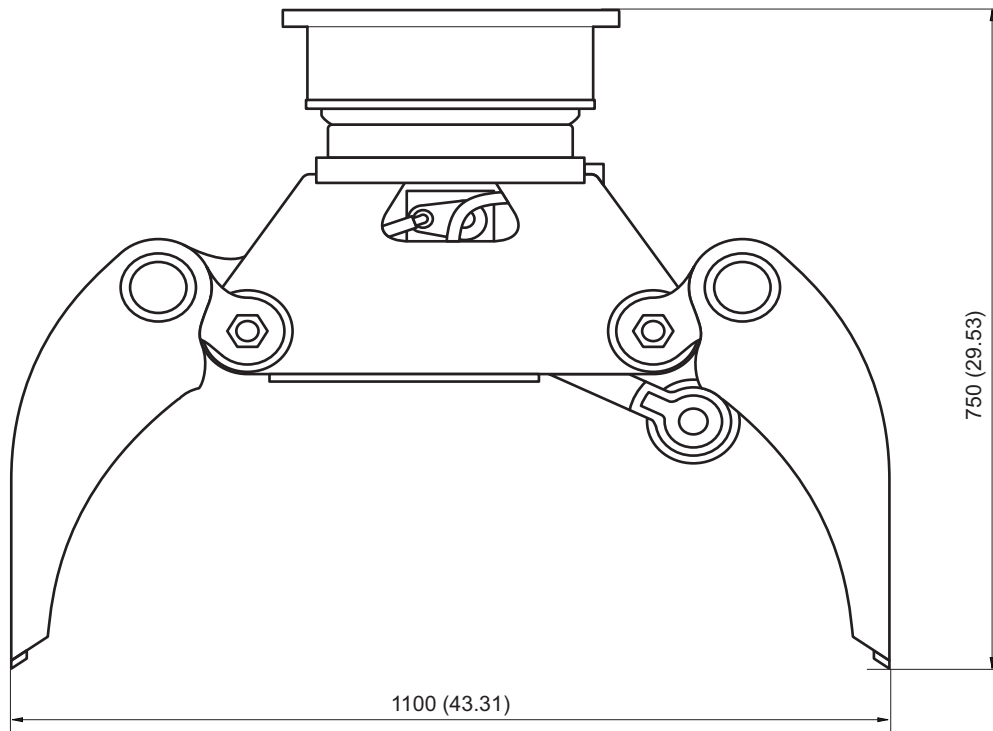
No.	Description	Remark	Quantity	Part number
214	Seal kit (Hydraulic cylinder)		1	3363 1062 37
215	Seal		1	-
216	O-ring		1	-
217	Wiper		1	-
218	Seal		1	-
219	Piston packing		1	-

Seal kit (Rotary transmission)

No.	Description	Remark	Quantity	Part number
710	Seal kit (Rotary transmission)		1	3363 1062 38
711	V-ring		2	-
712	Seal		5	-
713	O-ring		4	-

Dimensions

mm (inch)





Any unauthorized use or copying of the contents or any part thereof is prohibited.
This applies in particular to trademarks, model denominations, part numbers, and drawings.

© 2012 Atlas Copco Construction Tools GmbH | No. 3390 7354 01 | 2012-04-16